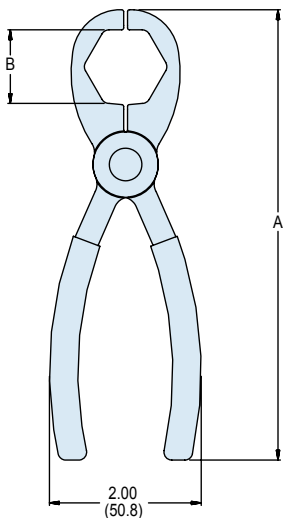
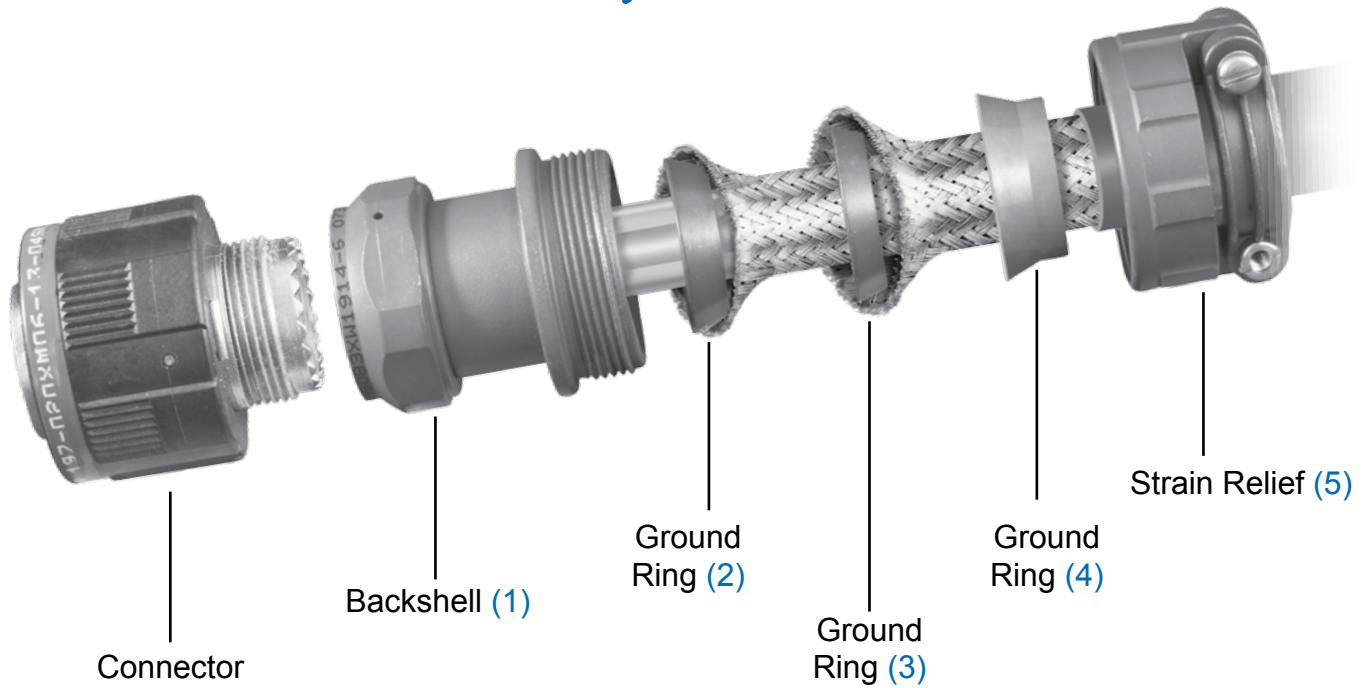
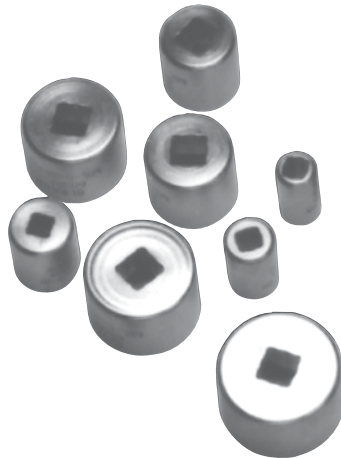


Series 380 EMI/RFI Non-Environmental (Type E) Assembly Instructions

A



(6) 600-157
Stainless Steel Composite Hex Coupling Wrench



(7) Plug and Receptacle Holding Tools for 1/4" and 3/8" Socket



(8) 600-161 Hand Held Digital Torque Wrench

COMPOSITE COUPLING TORQUE VALUES	
Shell Size Reference	Composite Torque (Inch-Pounds)
08/09	35
10/11	35
12/13	40
14/15	40
16/17	40
18/19	40
20/21	80
22/23	80
24/25	80
28	120
32	120
36	120

**Series 380 (Type E) Multi-Shield EMI/RFI
Non-Environmental
Backshell Assembly Instructions**



The following suggested procedure serves as a guide for the proper assembly and installation of Glenair EMI/RFI Non-Environmental Backshells (Type E shield termination). It is recommended that trial samples of appropriate cables or harnesses be used to determine proper trim dimensions of the outer shield and individual conductors. This procedure is for the three ring style.

NOTE: *As with any electrical connector assembly procedure, be sure to use the proper tools. For convenient, reliable assembly of the connector and backshell, it is suggested that Glenair's connector holding tools, strap wrenches and connector pliers be used.*

1. Temporarily assemble backshell (1) to connector.
2. Remove backshell from connector and stage it, along with the ground rings (2), (3), (4) and strain relief clamp (2), up the cable for installation after wires are terminated to the connector contacts.
3. Insert cable or harness into backshell (1) and bottom against connector. Hold cable in position and mark outer shield at rear end of backshell (1).
4. Remove backshell from connector and place on cable with items in step two above.
5. Trim outer shield at mark made in step three above.
6. Extract shield pigtail from individual conductor's. Tape or tie pigtails to the bundle.
7. Prepare and terminate contacts to individual conductors in accordance with established practices. (Crimp or solder in place.)
8. Slide backshell (1) forward to connector, and tighten securely.
9. Remove tape or untie pigtails from bundle. Slide ground ring (2) forward to flared-out pigtails. Fold pigtails back over ground ring (2) tie back to bundle leaving about 1/2" to 1" slack.
10. Bring ground ring (3) forward to overall braid, fold braid back over ring (3), push forward onto ring (2). Slide ground ring (4) onto overall braid and onto ring (3). . . push all three rings forward into the counter bore at the rear of backshell (1).
11. Thread backshell (1) onto the connector and tighten securely. Glenair recommends the use of the appropriate sized series 600-157 composite hex coupling wrench (6) to prevent damage to the composite backshell coupling nut. For added convenience in assembly, an appropriately sized series 600-005 connector holding tool (7) is recommended, as well as Glenair digital torque wrench (8). Tighten strain relief saddles securely on cable or harness (see saddle clamp assembly procedure). This will then provide a good ground or bonding joint for both the individual and over-all shields. (For the two ring style, ground ring (3) is omitted, and above steps I or J is utilized with either overall or individual braids).