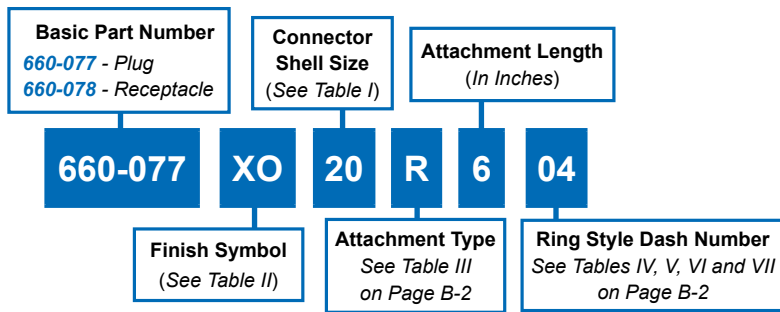




660-077 • 660-078
Glenair Composite 190 Series Protective Covers

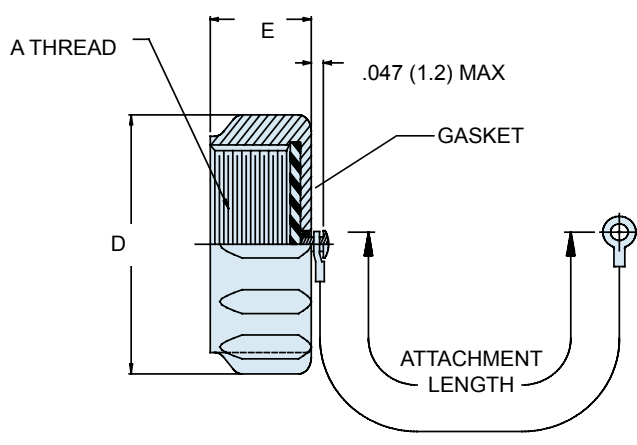
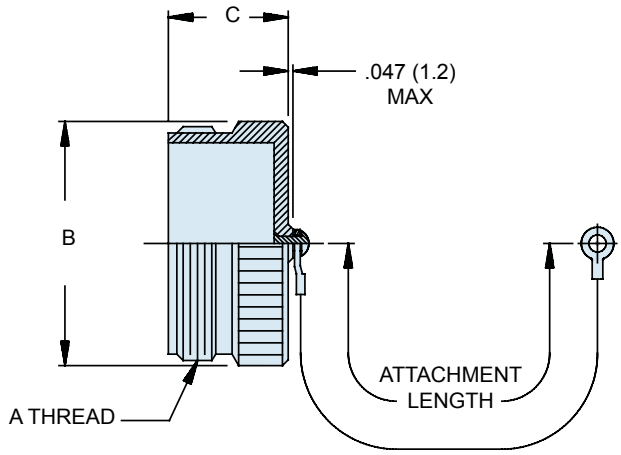
B



| TABLE II | |
|----------|---|
| Symbol | Finish Description |
| XB | No Plating - Black Color (Non-Conductive Finish) |
| XM | 2000 Hour Corrosion Resistant Electroless Nickel |
| XMT | 2000 Hour Corrosion Resistant Ni-PTFE, Nickel-Fluorocarbon Polymer. 1000 Hour Grey™ |
| XO | No Plating - Brown Color (Non-Conductive Finish) |
| XW | 2000 Hour Corrosion Resistant Cadmium/Olive Drab over Electroless Nickel |

660-077
Glenair 190-015 PLUG COVER

660-078
Glenair 190-016 RECEPTACLE COVER



| TABLE I: CONNECTOR SHELL SIZE ORDER NUMBER | | | | | |
|--|----------------|--------------|--------------|--------------|-------------|
| SHELL SIZE | A THREAD | B MAX | C MAX | D MAX | E MAX |
| 10SL | .625 - .1P-1L | 1.125 (28.6) | 1.093 (27.8) | 1.156 (29.4) | .750 (19.1) |
| 14S | .875 - .1P-1L | 1.312 (33.3) | 1.093 (27.8) | 1.343 (34.1) | .719 (18.3) |
| 18 | 1.125 - .1P-1L | 1.565 (39.8) | 1.093 (27.8) | 1.596 (40.5) | .975 (24.8) |

Metric dimensions (mm) are in parentheses and are for reference only.