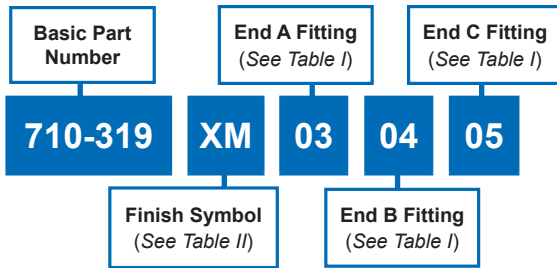


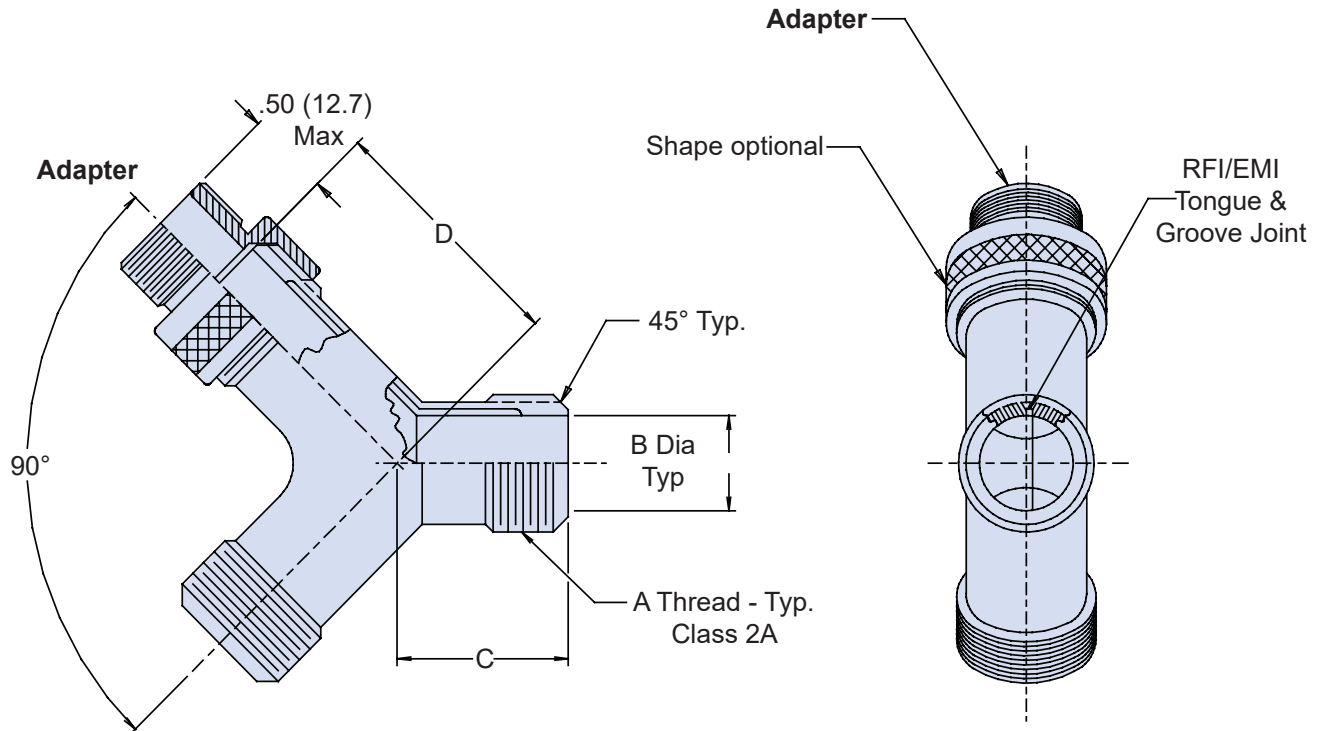
# 710-319 Composite Split Junction Fitting "Y" Configuration



Convolute  
Tubing



- ### APPLICATION NOTES
1. Metric dimensions (mm) are in parentheses and are for reference only.
  2. Transitions mate to 710S269, S270 and S271 adapters.
  3. When all ends are identical, insert only one dash number. When multiple dash numbers are ordered, transition size will be determined by the largest. Adapter may be supplied on smaller entries. Letter to follow entry will be supplied with adapters.



End No.	A Thread Unified	B Dia	C Max	D Max
01	.750 - 20	.500 (12.7)	1.312 (33.3)	1.312 (33.3)
02	1.000 - 20	.750 (19.1)	1.500 (38.1)	1.500 (38.1)
03	1.312 - 18	1.000 (25.4)	1.937 (49.2)	1.937 (49.2)
04	1.500 - 18	1.250 (31.8)	2.187 (55.5)	2.187 (55.5)
05	2.000 - 18	1.625 (41.3)	2.625 (66.7)	2.625 (66.7)

Code	Finish Description
XM	1000 Hr. Corrosion-Resistant Electroless Nickel
XW	1000 Hr. Corrosion-Resistant Cadmium Olive Drab over Electroless Nickel
XB	No Plating - Black Color
XV	No Plating - Purple Color

C