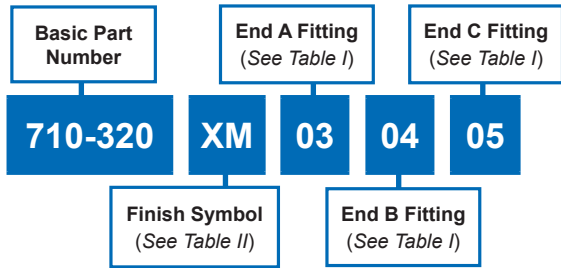


# 710-320 Composite Split Junction Fitting Straight with 45° Branch Configuration



**APPLICATION NOTES**

1. Metric dimensions (mm) are in parentheses and are for reference only.
2. Transitions mate to 710S269, S270 and S271 adapters.
3. When all ends are identical, insert only one dash number. When multiple dash numbers are ordered, transition size will be determined by the largest. Adapter may be supplied on smaller entries. Letter to follow entry will be supplied with adapters.

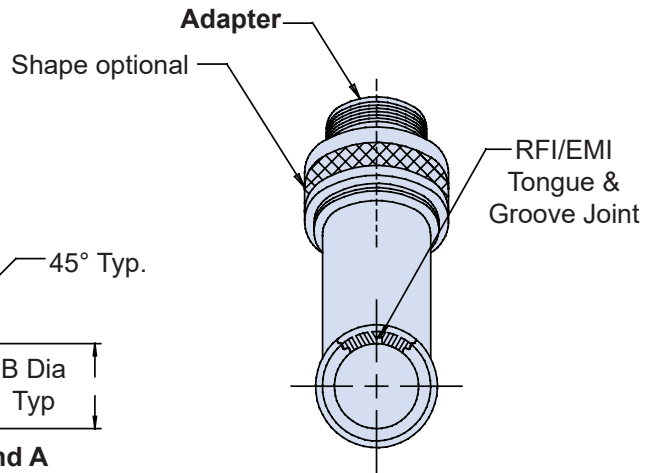
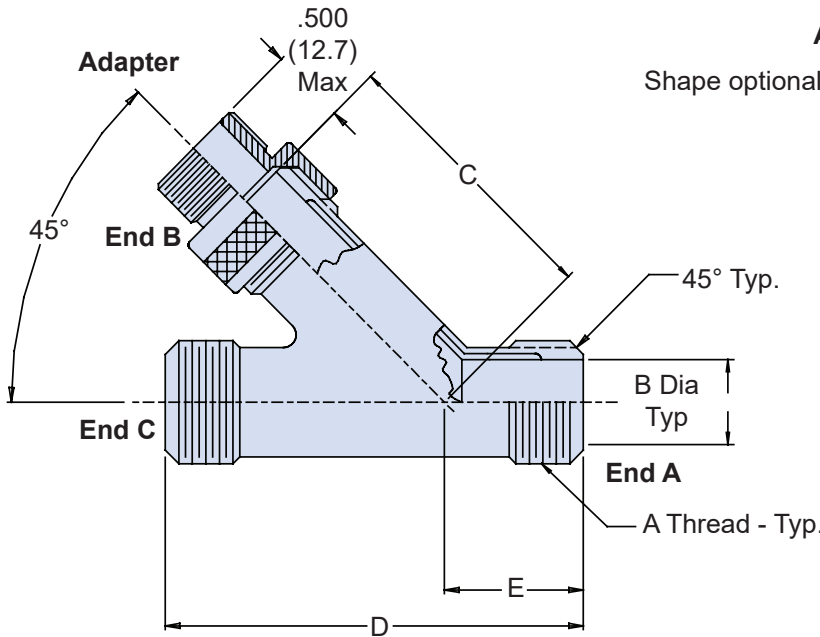


Table II: Finish	
Code	Finish Description
XM	1000 Hr. Corrosion-Resistant Electroless Nickel
XW	1000 Hr. Corrosion-Resistant Cadmium Olive Drab over Electroless Nickel
XB	No Plating - Black Color
XV	No Plating - Purple Color

TABLE I: END ORDER NUMBER AND DIMENSIONS							
End No.	A Thread		B Dia	C Max	D Max	E Max	Weight in Pounds Max.
	Unified						
01	.750 - 20		.500 (12.7)	2.250 (57.2)	3.000 (76.2)	1.125 (28.6)	.093
02	1.000 - 20		.750 (19.1)	2.500 (63.5)	3.375 (85.7)	1.188 (30.2)	.132
03	1.312 - 18		1.000 (25.4)	2.875 (73.0)	4.000 (101.6)	1.333 (33.9)	.192
04	1.500 - 18		1.250 (31.8)	3.125 (79.4)	4.375 (111.1)	1.458 (37.0)	.235
05	2.000 - 18		1.625 (41.3)	3.625 (92.1)	5.125 (130.2)	1.708 (43.4)	.347
06	.500 - 20		.281 (7.1)	1.750 (44.5)	2.625 (66.7)	1.000 (25.4)	.034
07	.625 - 24		.375 (9.5)	2.062 (52.4)	2.750 (69.9)	1.062 (27.0)	.047