

687-749
Composite AS85049/93
Banding Split-Ring



For Use with Glenair
Banding Backshells
and Braid Socks

Consult Factory for
Information on Other
Split Ring Designs and
Part Numbers

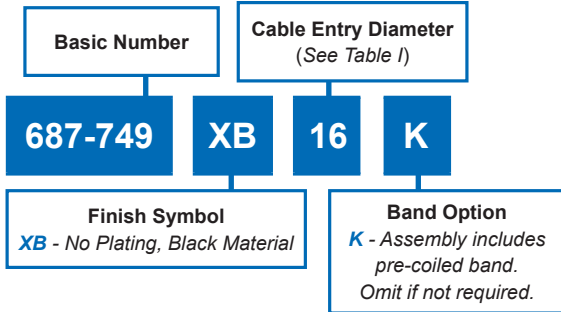
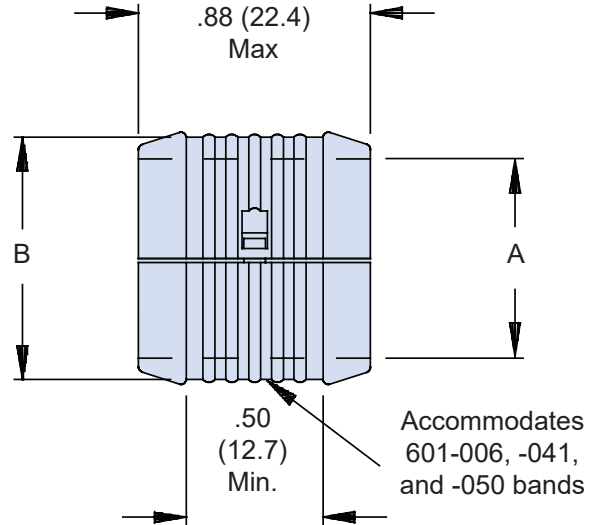
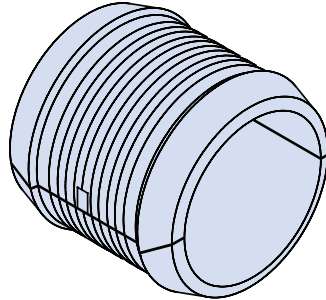


TABLE I: DASH NUMBER

Dash No.	A Diameter ± .03 (0.8)	B Diameter ± .03 (0.8)	Compatible Glenair Band
04	.25 (6.4)	.36 (9.1)	601-006
06	.38 (9.7)	.49 (12.4)	601-006
08	.50 (12.7)	.61 (15.5)	601-006
10	.63 (16.0)	.74 (18.8)	601-006
12	.75 (19.1)	.86 (21.8)	601-006
14	.88 (22.4)	.99 (25.1)	601-041
16	1.00 (25.4)	1.10 (27.9)	601-041
18	1.13 (28.7)	1.24 (31.5)	601-041
20	1.25 (31.8)	1.36 (34.5)	601-041
22	1.38 (35.1)	1.49 (37.8)	601-041
24	1.50 (38.1)	1.61 (40.9)	601-041
26	1.63 (41.4)	1.74 (44.2)	601-041
28	1.75 (44.5)	1.86 (47.2)	601-050
30	1.88 (47.8)	2.00 (50.8)	601-050
32	2.00 (50.8)	2.13 (54.1)	601-050
36	2.25 (57.2)	2.38 (60.4)	601-050

APPLICATION NOTES

- 687-749 supersedes and replaces 687-207 split ring.
- Metric dimensions (mm) are in parentheses and are for reference only.

EXAMPLE APPLICATION

