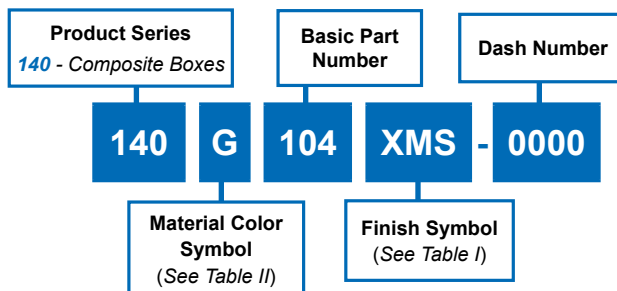


## Series 140-104 Small Low-Profile Box



### Small Low-Profile Series 140-104 CostSaver Composite Junction Box



**TABLE II: MATERIAL COLOR & FINISH OPTIONS**

Sym	Material & Color	Finish Options
B	Thermoplastic / Black	XO and XMS
G	Thermoplastic / Grey	XO and XMS
-	Thermoplastic / NA	XM, XW and XZN

**TABLE I: FINISHES**

Symbol	Finish Description
XO	No Plating (Non-Conductive Finish)
XMS	Internal Surfaces - Electroless Nickel External Surfaces - See Table II
XM	All Surfaces - Electroless Nickel
XW	All Surfaces - Cadmium Olive Drab over Electroless Nickel
XZN	All Surfaces - Zinc Nickel/Black
XMT	2000 Hour Corrosion Resistant Ni-PTFE, Nickel-Fluorocarbon Polymer. 1000 Hour Grey™

**TABLE III: KEY DIMENSIONS**

Box Series Number	External Dimensions	Internal Dimensions (with Aluminum Mounting Plate Installed, if applicable)
Low-Profile 140-104	5.86 (149) x 5.86 (149) x 2.13 (54)	4.90 (124) x 4.90 (124) x 1.53 (39)

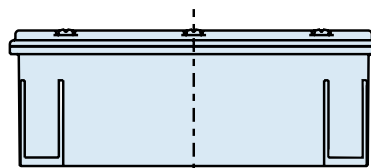
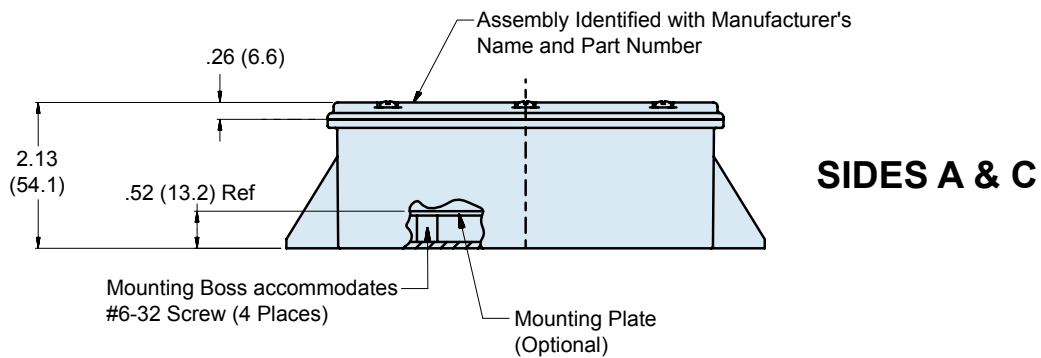
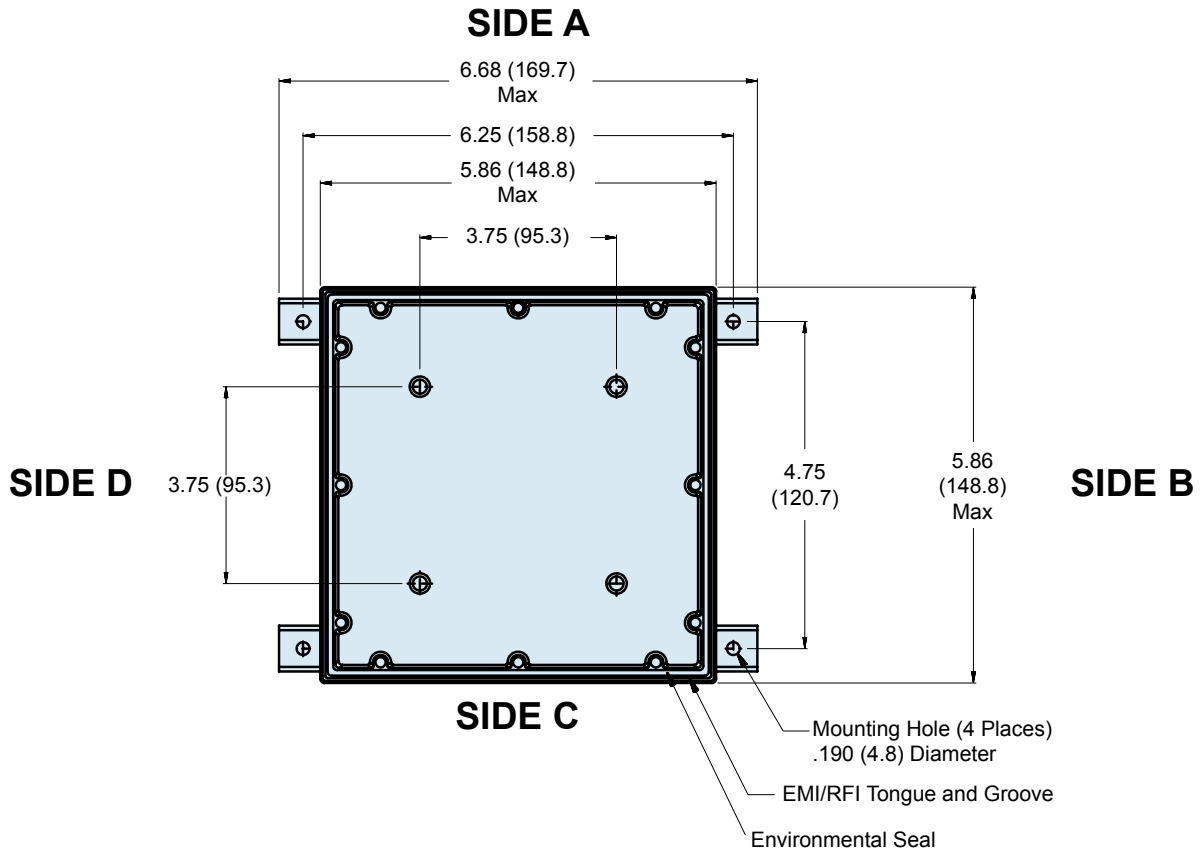
#### NOTES

1. Use Dash Number 0000 for Basic Box with No Additional Options Beyond Your Specified Finish. 0000 Basic Box Includes #6-32 UNC Fasteners.
2. Box Series Numbers are for reference only. Please complete the worksheet on E-14 and call the factory for part number assignment for your specific box configuration.
3. Metric dimensions (mm) are in parenthesis and for reference only

Series 140-104  
Small Low-Profile Box



Composite  
Junction  
Boxes



**E**