



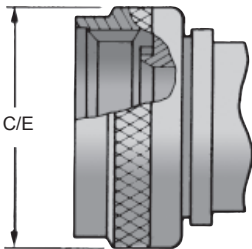
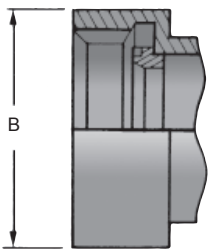
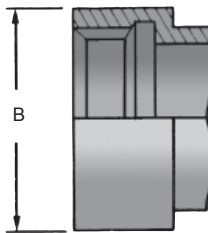
Conduit Backshells, Fittings and Adapters Interface Standards and Connector Designators

A

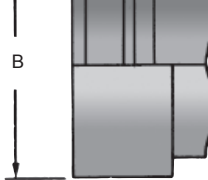
Conduit Adapter Interface Standards

Desig.	Spec.	Series	Desig.	Spec.	Series	Desig.	Spec.	Series	Desig.	Spec.	Series
A	MIL-C-5015	MS3400	A	PATT 602		G	MIL-C-28840		L	EN3372	
	MIL-C-26482	2	B	MIL-C-5015	MS3100	H	MIL-C-38999			JN 1003	
	MIL-C-81703	3	C	MIL-C-22992	MS173XX		EN3645	III & IV		LN 29729	
	MIL-C-83723	I & III	D	MIL-C-26482	1	J	MIL-C-81511	1, 2, 3 & 4		NFC93422	HE06
	40M39569		E	MIL-C-26500	Aluminum					PAN6433-2	
	DEF 5326-3		F	MIL-C-38999	I & II	K	MIL-C-83723	II		PATT 615	
	EN 2997, 3646			40M38277					S	VG 96912	
	ESC 10, 11			PAN 6433-1						PATT 105	
	LN 29504			PATT 614						PATT 603	
	NFC93422	HE302		PATT 616						PATT 608	
	PAN 6432-1, -2			NFC93422	HE308, 9						

The following illustrations depict the standard fitting or adapter interface for the connector noted. Specification design standards are indicated wherever applicable. Consult factory for accessory part numbers for connector series not shown

CONNECTOR DESIGNATOR	CONNECTOR SPECIFICATION	SERIES	ROTATABLE COUPLING	DIRECT COUPLING
A	MIL-C-5015	MS3400		
	MIL-C-26482	2		
	MIL-C-81703	3		
	MIL-C-83723	I & III		
	40M39569			
	CECC 75201.001			
	DEF 5326-3			
	EN 2997			
	EN 3646			
	ESC 10			
ESC 11				
LN 29504				
NFC 93422	HE302			
PAN 6432-1				
PAN 6432-2				
PATT 602				

MIL-C-85049
FIGURE 4
(MS3155)

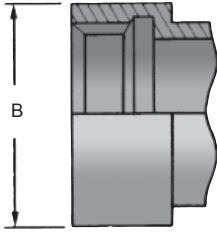
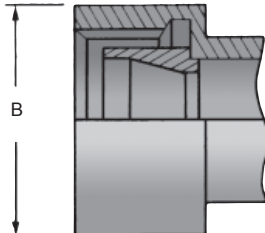
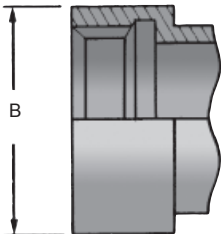
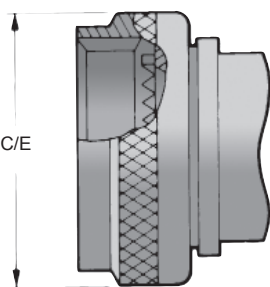
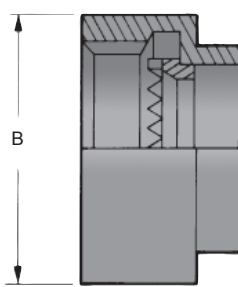
B	MIL-C-5015	MS3100	SEE PAGES 18-19	

Conduit Backshells, Fittings and Adapters Interface Standards and Connector Designators



Conduit Introduction

A

CONNECTOR DESIGNATOR	CONNECTOR SPECIFICATION	SERIES	ROTATABLE COUPLING	DIRECT COUPLING
C	MIL-C-22992	MS173XX	CONSULT FACTORY	
D	MIL-C-26482	MS312X Series 1	CONSULT FACTORY	
E	MIL-C-26500	Aluminum (Class F, G & R)	CONSULT FACTORY	
F	MIL-C-38999 40M38277 NFC93422 NFC93422 PAN 6433-1 PATT 614 PATT 616	I & II HE308 HE309		 

Caution: These connector interfaces are not suitable for total environmental sealing; for further information consult factory.

MIL-C-85049 FIGURE 2
MIL-C-38999 FIGURE 3

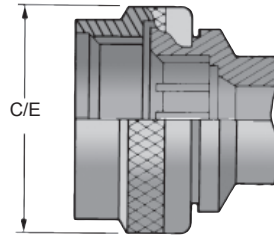


**Conduit Backshells, Fittings and Adapters
Interface Standards and Connector Designators**

A

CONNECTOR DESIGNATOR	CONNECTOR SPECIFICATION	SERIES	ROTATABLE COUPLING	DIRECT COUPLING
----------------------	-------------------------	--------	--------------------	-----------------

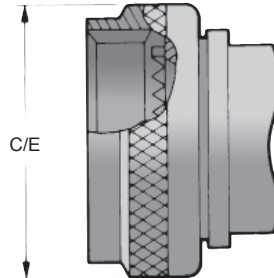
G



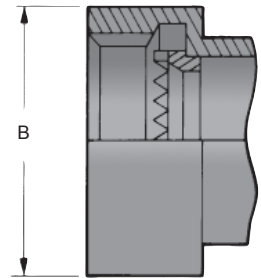
MIL-C-28840 FIGURE 7

CONSULT FACTORY

H



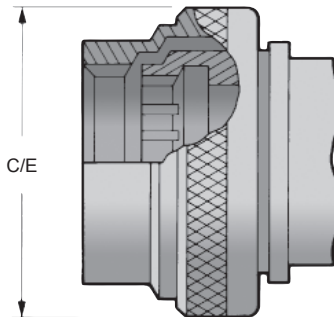
MIL-C-85049 FIGURE 3
MIL-C-38999 FIGURE 3



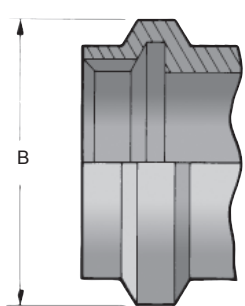
J

MIL-C-81511
VG95329

1, 2, 3 & 4



MIL-C-81511 FIGURE 12C



Conduit Backshells, Fittings and Adapters Interface Standards and Connector Designators



Conduit Introduction

A

CONNECTOR DESIGNATOR	CONNECTOR SPECIFICATION	SERIES	ROTATABLE COUPLING	DIRECT COUPLING
K	MIL-C-83723	Series II	CONSULT FACTORY	
L	EN3372 JN1003 LN 29729 NFC93422 PAN 6433-2 PATT 615 VG 96912	HE306		
S	PATT 105 PATT 603 PATT 608			