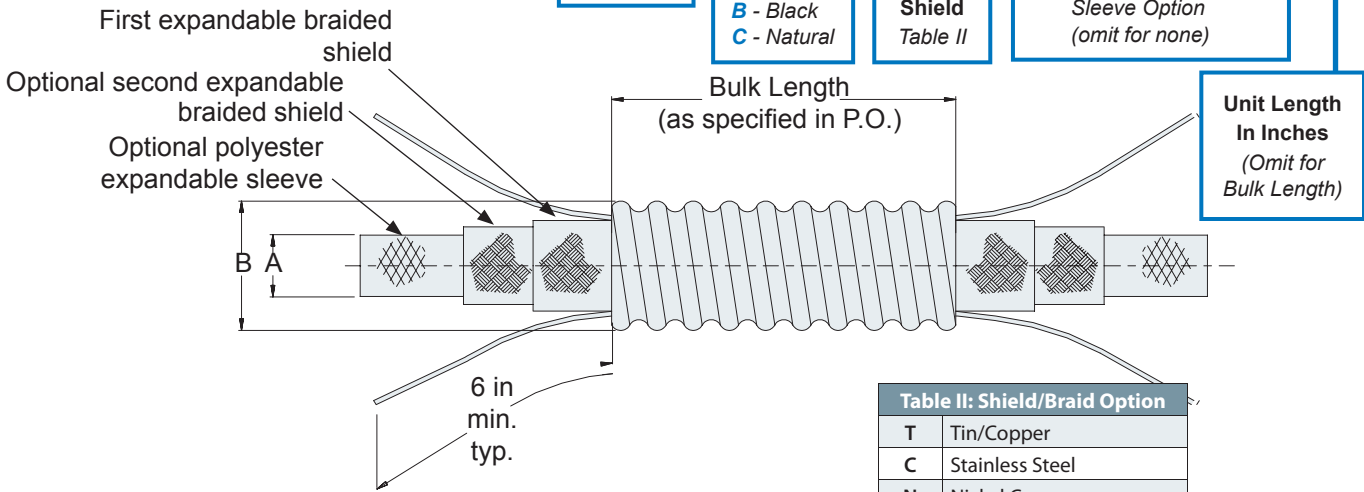
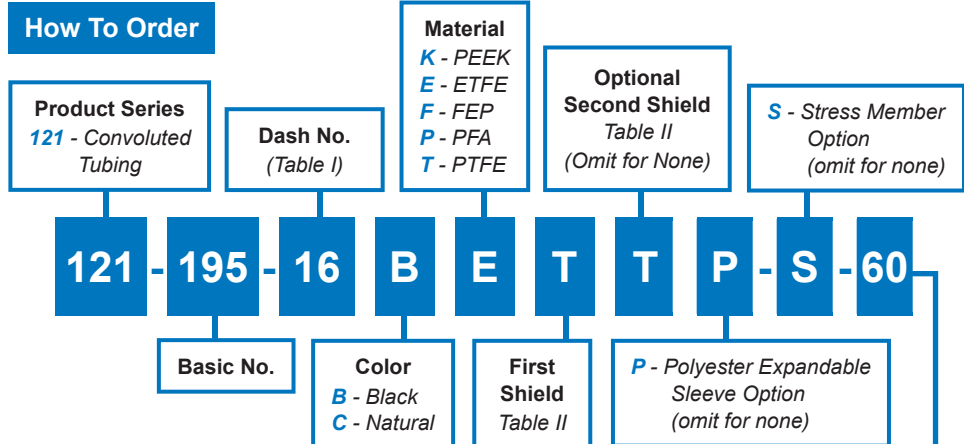


121-195  
**Helical Polymer-Core Convuluted Tubing**  
 In Accordance With SAE AMS-81914  
 with One or Two Internal Braids



**Tubing with internal braid for harsh chemical environment applications, with EMI/RFI shielding**



Dash No.	A Inside Diameter						B Outside Diameter Max
	2 Braids & Sleeve		2 Braids		1 Braid		
	Min	Max	Min	Max	Min	Max	
06	N/A	N/A	0.041 (1.0)	0.048 (1.2)	0.111 (2.8)	0.118 (3.0)	0.320 (8.1)
09	0.063 (1.6)	0.071 (1.8)	0.133 (3.4)	0.141 (3.6)	0.203 (5.2)	0.211 (5.4)	0.414 (10.5)
10	0.096 (2.4)	0.102 (2.6)	0.166 (4.2)	0.172 (4.4)	0.236 (6.0)	0.242 (6.1)	0.450 (11.4)
12	0.149 (3.8)	0.165 (4.2)	0.219 (5.6)	0.235 (6.0)	0.289 (7.3)	0.305 (7.7)	0.510 (13.0)
14	0.217 (5.5)	0.227 (5.8)	0.287 (7.3)	0.297 (7.5)	0.357 (9.1)	0.367 (9.3)	0.571 (14.5)
16	0.270 (6.9)	0.290 (7.4)	0.340 (8.6)	0.360 (9.1)	0.410 (10.4)	0.430 (10.9)	0.650 (16.5)
20	0.393 (10.0)	0.415 (10.5)	0.463 (11.8)	0.485 (12.3)	0.533 (13.5)	0.555 (14.1)	0.770 (19.6)
24	0.515 (13.1)	0.540 (13.7)	0.585 (14.9)	0.610 (15.5)	0.655 (16.6)	0.680 (17.3)	0.930 (23.6)
28	0.650 (16.5)	0.665 (16.9)	0.720 (18.3)	0.735 (18.7)	0.790 (20.1)	0.805 (20.4)	1.073 (27.3)
32	0.760 (19.3)	0.790 (20.1)	0.830 (21.1)	0.860 (21.8)	0.900 (22.9)	0.930 (23.6)	1.226 (31.1)
40	0.995 (25.3)	1.040 (26.4)	1.065 (27.1)	1.110 (28.2)	1.135 (28.8)	1.180 (30.0)	1.539 (39.1)
48	1.227 (31.2)	1.290 (32.8)	1.297 (32.9)	1.360 (34.5)	1.367 (34.7)	1.430 (36.3)	1.832 (46.5)
56	1.478 (37.5)	1.540 (39.1)	1.548 (39.3)	1.610 (40.9)	1.618 (41.1)	1.680 (42.7)	2.156 (54.8)
64	1.727 (43.9)	1.790 (45.5)	1.797 (45.6)	1.860 (47.2)	1.867 (47.4)	1.930 (49.0)	2.332 (59.2)

T	Tin/Copper
C	Stainless Steel
N	Nickel Copper
S	SnCuFe
L	ArmorLite™
E	AmberStrand® 100%
F	AmberStrand® 75%/25%

- Packaging/Material Notes**
- Long-length orders of 121-195 conduit are subject to carrier weight and box size restrictions. Glenair standard practice is to ship optimal lengths of product based on weight, size, and carrier specifications. Consult factory for additional information or to specify packaging requirements.
  - Max continuous length is 360 in. Consult factory for longer lengths.
  - Two Kevlar stress members at 180° apart between tin copper shield and I.D. of tubing, to extend 6 in. min. beyond ends of tubing.
  - Expandable sleeve material: E-CTFE, black.