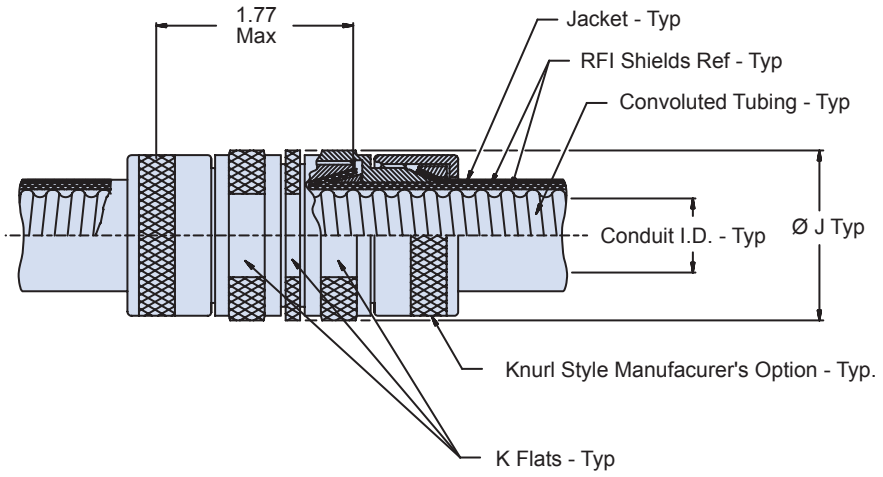
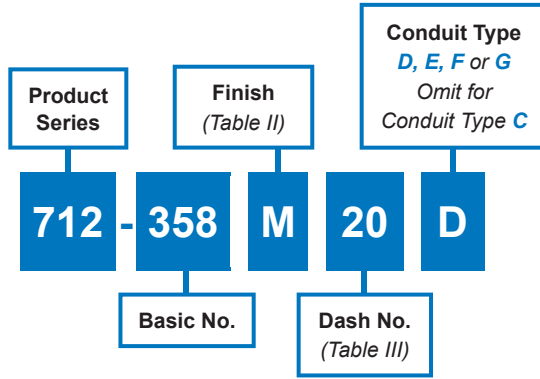




712-358
Heavy Duty System
Conduit to Conduit Splice Kit
for Glenair Series 74 Convulated Tubing

Heavy-Duty System user installable splice kit

How To Order



Material/Finish

- Adapters, nuts, and ferrules: Al Alloy/See Table II
- O-Rings: Silicone/N.A.

712-358
Heavy Duty System
Conduit to Conduit Splice Kit
for Glenair Series 74 Convuluted Tubing



Table II: Finish

Sym	Tubing Material
M	Electroless Nickel Per MIL-C-26074, Class I, Grade B
NF	Cadmium, Olive Drab, Per Qq-P-416, Type II Class 3 Over Electroless Nickel Per Mil-C-26074, Class I, Grade B

Table III: Dimensions

Dash No.	Conduit I.D.		Ø J Max	K Flats
	Min	Max		
06	.181 (4.6)	.188 (4.8)	1.09 (27.7)	.937 (23.8)
09	.273 (6.9)	.281 (7.1)	1.16 (29.5)	1.000 (25.4)
10	.306 (7.8)	.312 (7.9)	1.22 (31.0)	1.062 (27.0)
12	.359 (9.1)	.375 (9.5)	1.28 (32.5)	1.125 (28.6)
14	.427 (10.8)	.437 (11.1)	1.34 (34.0)	1.187 (30.1)
16	.480 (12.2)	.500 (12.7)	1.41 (36.6)	1.250 (31.8)
20	.603 (15.3)	.625 (15.9)	1.53 (38.9)	1.375 (34.9)
24	.725 (18.4)	.750 (19.1)	1.66 (42.2)	1.500 (38.1)
28	.860 (21.8)	.875 (22.2)	1.78 (45.2)	1.625 (41.3)
32	.970 (24.6)	1.000 (25.4)	1.91 (48.5)	1.750 (44.5)
40	1.205 (30.6)	1.250 (31.8)	2.28 (57.9)	2.125 (54.0)
48	1.437 (36.5)	1.500 (38.1)	2.59 (65.8)	2.437 (61.9)
56	1.688 (42.9)	1.750 (44.5)	2.91 (73.9)	2.750 (69.9)
64	1.937 (49.2)	2.000 (50.8)	3.03 (77.0)	2.875 (73.0)

Table IV: Conduit Type

Conduit Type	Part Number	Configuration
C	121-100	Tubing with braided shield and jacket
D	121-101	Tubing with braided shield
E	121-102	Tubing with two braided shields
F	121-103	Tubing with two braided shields and jacket
G	123-100	Tubing with jacket