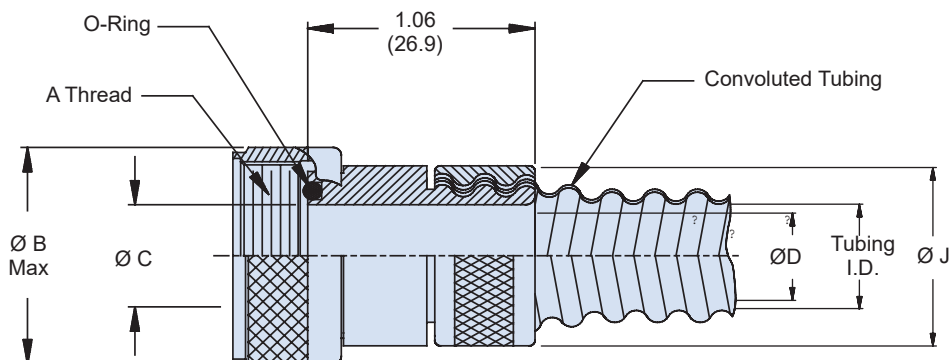
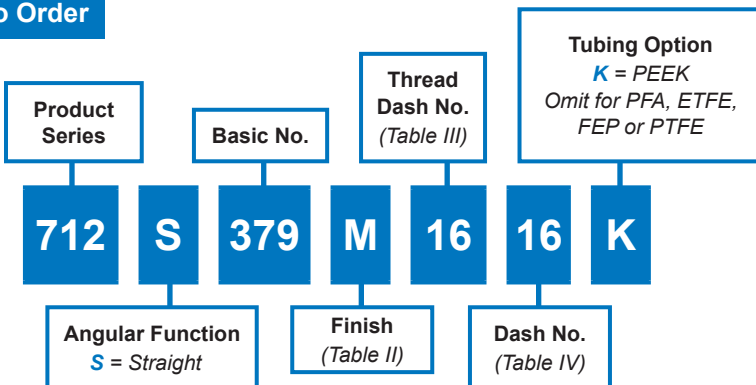


712-379 Hummer Nut System Conduit to Transition or End Fitting Backshell

Hummer nut conduit backshell for use with non-self-locking transitions and adapters



How To Order



Intermateability Guide	
For use with	
Y transitions	710-106, 710-107, 710-370,
T transitions	710-108, 710-109, 710-371
Connector adapters	713-100, 713-101, 713-110
Bulkhead adapters	710-100, 710-101, 710-372
Bulkhead feed-thrus	710-102, 710-103, 710-373
Male Pipe thread adapters	710-114, 710-115, 710-405
Female pipe thread adapters	710-116, 710-117, 710-406

Material/Finish

- Adapters, coupling nuts, nuts, and ferrules: See Table II
- O-Rings: Silicone/N.A.

712-379
Hummer Nut System
 Conduit to Transition or End Fitting Backshell



Table III: Dash No./Dimensions

Thread Dash No.	A Thread Class 2B	B Max	Ø C	Max Dash No. Table IV
06	7/16 - 28 UNEF	.640 (16.3)	.188 (4.8)	06
09	9/16 - 24 UNEF	.690 (17.5)	.281 (7.1)	09
10	9/16 - 24 UNEF	.690 (17.5)	.312 (7.9)	10
12	5/8 - 24 UNEF	.760 (19.3)	.375 (9.5)	12
14	11/16 UNEF	.890 (22.6)	.438 (11.1)	14
16	3/4 - 20 UNEF	.890 (22.6)	.500 (12.7)	16
20	7/8 - 20 UNEF	1.024 (26.0)	.625 (15.9)	20
24	1 - 20 UNEF	1.152 (29.3)	.750 (19.1)	24
28	1 3/16 - 18 UNEF	1.363 (34.6)	1.000 (25.4)	28
32	1 5/16 - 18 UNEF	1.488 (37.8)	1.250 (31.8)	32
40	1 1/2 - 18 UNEF	1.676 (42.6)	2.500 (63.5)	40
48	1 3/4 - 18 UNS	1.960 (49.8)	1.500 (38.1)	48
56	2 - 18 UNS	2.210 (56.1)	1.750 (44.5)	56
64	2 1/4 - 16 UN	2.460 (62.5)	2.000 (50.8)	64

Table IV: Dash No./Tubing Dimensions

Dash No.	Tubing I.D.		D Dia		J Max
	Min	Max	Std Fluoropolymer	PEEK	
06	.181 (4.6)	.188 (4.8)	.188 (4.8)	.115 (2.9)	.530 (13.5)
09	.273 (6.9)	.281 (7.1)	.265 (6.7)	.210 (5.3)	.590 (15.0)
10	.306 (7.8)	.312 (7.9)	.265 (6.7)	.235 (6.0)	.660 (16.8)
12	.359 (9.1)	.375 (9.5)	.325 (8.3)	.320 (8.1)	.710 (18.0)
14	.427 (10.8)	.437 (11.1)	.390 (9.9)	.365 (9.3)	.780 (19.8)
16	.480 (12.2)	.500 (12.7)	.470 (11.9)	.425 (10.8)	.840 (21.3)
20	.603 (15.3)	.625 (15.9)	.595 (15.1)	.550 (14.0)	.970 (24.6)
24	.725 (18.4)	.750 (19.1)	.735 (18.7)	.680 (17.3)	1.160 (29.5)
28	.860 (21.8)	.875 (22.2)	.875 (22.2)	.790 (20.1)	1.310 (33.3)
32	.970 (24.6)	1.000 (25.4)	.975 (24.8)	.915 (23.2)	1.410 (35.8)
40	1.205 (30.6)	1.250 (31.8)	1.192 (30.3)	1.165 (29.6)	1.720 (43.7)
48	1.437 (36.5)	1.500 (38.1)	1.445 (36.7)	1.415 (35.9)	2.010 (51.1)
56	1.688 (42.9)	1.750 (44.5)	1.690 (42.9)	1.660 (42.2)	2.280 (57.9)
64	1.937 (49.2)	2.000 (50.8)	2.000 (50.8)	1.905 (48.4)	2.420 (61.5)

Table II: Finish

Sym	Finish
B	Cadmium Plate/Olive Drab
C	Anodize, Black (Non-Conductive)
J	Gold Iridite over Cadmium Plate over Nickel
M	Electroless Nickel
N	Cadmium Plate/Olive Drab over Nickel
NF	Cadmium Plate/Olive Drab over Electroless Nickel (1000 Hour salt spray)
T	Bright Dip Cadmium over Nickel