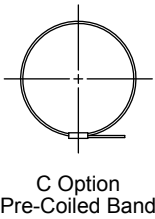
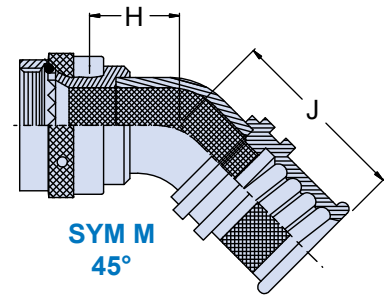
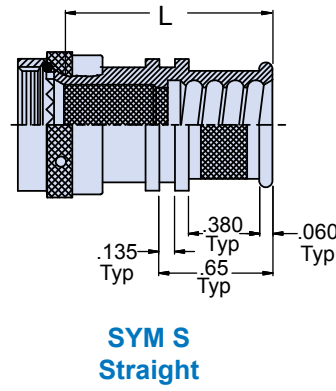
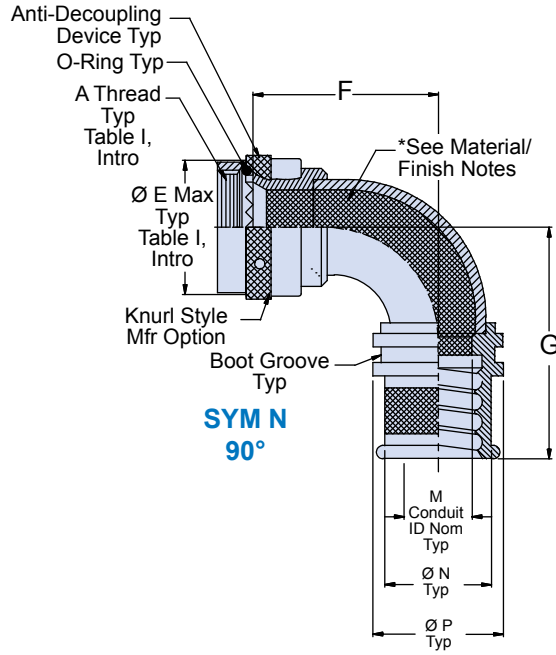
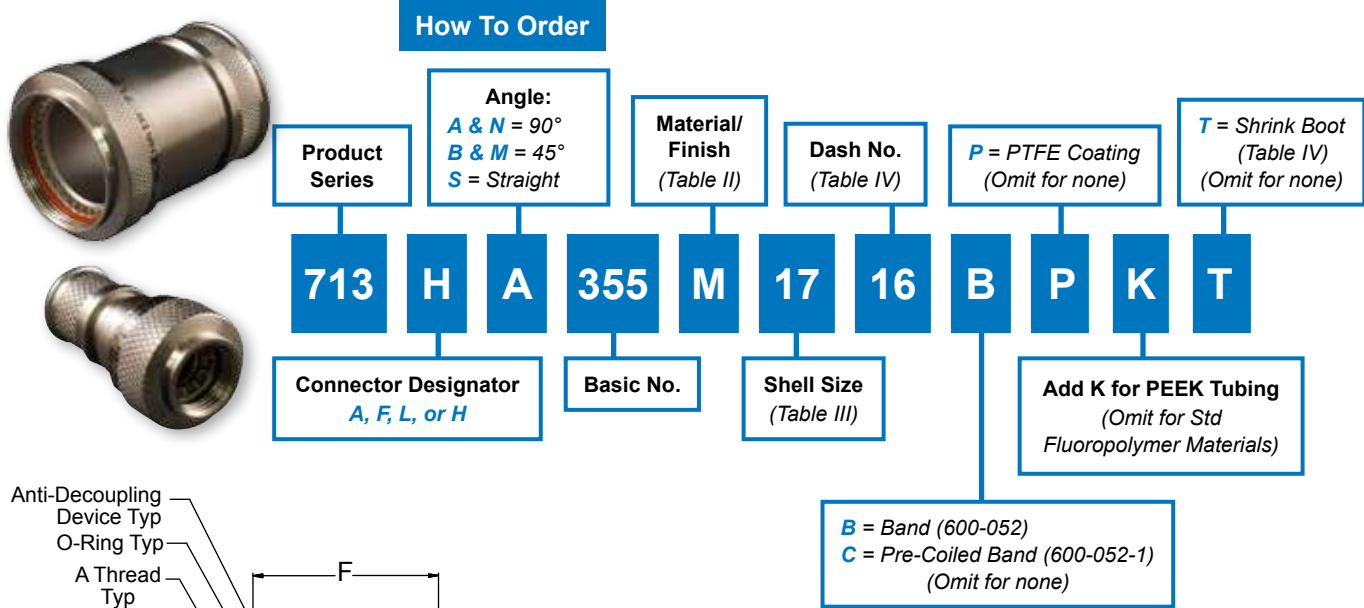




713-355  
Hat Trick System  
Environmental Self-Locking Metal Backshell  
with Band Termination for Series 74 Helical Convuluted Tubing

Easy-to-install Hat Trick convoluted tubing-to-connector backshell, metal



- Material and Finish/Notes**
- Adapters, Coupling Nuts and Elbows - Table II (See P/N development)
  - Anti-Decoupling Device - Corrosion resistant material
  - O-Ring - Silicone/N.A.
  - Band - SST/Passivate
  - Shrink Boot - See individual drawing.
  - \* Internal surfaces coated with PTFE Fluoropolymer in area indicated, see P/N development.
  - Interface O-Ring not applicable to connector designator A

**713-355**  
**Hat Trick System**  
 Environmental Self-Locking Metal Backshell  
 with Band Termination for Series 74 Helical Convuluted Tubing



Table III: Shell Size/Dimensions

Shell Size		F Max	G Max	H Max	J Max	L Dim	R Dim	S Dim	T Dim	U Dim	Max Dash No. Table IV
A, F, L	H										
08	09	0.88 (22.4)	1.28 (32.5)	0.76 (19.3)	1.06 (26.9)	1.25 (31.8)	.60 (15.2)	1.57 (39.9)	.68 (17.3)	1.74 (44.2)	10
10	11	0.94 (23.9)	1.34 (34.0)	0.79 (20.1)	1.08 (27.4)	1.25 (31.8)	.63 (16.0)	1.80 (45.7)	.77 (19.6)	1.88 (47.8)	14
12	13	1.00 (25.4)	1.46 (37.1)	0.81 (20.6)	1.13 (28.7)	1.25 (31.8)	.66 (16.8)	1.89 (48.0)	.80 (20.3)	1.92 (48.8)	20
14	15	1.06 (26.9)	1.63 (41.4)	0.86 (21.8)	1.26 (32.0)	1.35 (34.3)	.69 (17.5)	2.01 (51.1)	.88 (22.4)	2.01 (51.1)	24
16	17	1.13 (28.7)	1.85 (47.0)	0.90 (22.9)	1.41 (35.8)	1.45 (36.8)	.82 (20.8)	2.16 (54.9)	1.06 (26.9)	2.14 (54.4)	28
18	19	1.19 (30.2)	1.91 (48.5)	0.94 (23.9)	1.44 (36.6)	1.45 (36.8)	.97 (24.6)	2.34 (59.4)	1.15 (29.2)	2.31 (58.7)	32
20	21	1.25 (31.8)	2.29 (58.2)	0.97 (24.6)	1.74 (44.2)	1.75 (44.5)	.97 (24.6)	2.39 (60.7)	1.15 (29.2)	2.36 (59.9)	40
22	23	1.31 (33.3)	2.29 (58.2)	0.99 (25.1)	1.74 (44.2)	1.75 (44.5)	1.00 (25.4)	2.53 (64.3)	1.30 (33.0)	2.47 (62.7)	40
24	25	1.38 (35.1)	2.41 (61.2)	1.02 (25.9)	1.79 (45.5)	1.75 (44.5)	1.00 (25.4)	2.58 (65.5)	1.30 (33.0)	2.52 (64.0)	48
28		1.46 (37.1)	2.41 (61.2)	1.12 (28.5)	1.79 (45.5)	1.75 (44.5)	TBD	TBD	1.40 (35.6)	2.73 (69.3)	48

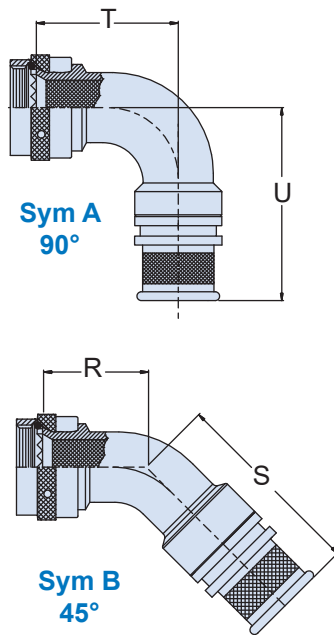


Table IV: Dash No. and Shrink Boot

Dash No.	M Conduit ID Nom.	Ø N	Ø P	Shrink Boot Part Number
06	.188 (4.8)	.419 (10.6)	.481 (12.2)	<a href="#">770-001S103</a>
09	.281 (7.1)	.513 (13.0)	.575 (14.6)	<a href="#">770-001S104</a>
10	.312 (7.9)	.549 (13.9)	.611 (15.5)	<a href="#">770-001S104</a>
12	.375 (9.5)	.609 (15.5)	.671 (17.0)	<a href="#">770-001S104</a>
14	.437 (11.1)	.670 (17.0)	.732 (18.6)	<a href="#">770-001S104</a>
16	.500 (12.7)	.749 (19.0)	.811 (20.6)	<a href="#">770-001S105</a>
20	.625 (15.9)	.869 (22.1)	.931 (23.6)	<a href="#">770-001S106</a>
24	.750 (19.1)	1.029 (26.1)	1.091 (27.7)	<a href="#">770-001S106</a>
28	.875 (22.2)	1.172 (29.8)	1.234 (31.3)	<a href="#">770-001S107</a>
32	1.000 (25.4)	1.320 (33.5)	1.382 (35.1)	<a href="#">770-001S107</a>
40	1.250 (31.8)	1.664 (42.3)	1.726 (43.8)	<a href="#">770-001S108</a>
48	1.500 (31.8)	1.957 (49.7)	2.019 (51.3)	<a href="#">770-001S108</a>

Table II: Material/Finish

Sym	Material	Finish Description	Component
M	Aluminum Alloy	Electroless Nickel	
MT	Aluminum Alloy	Nickel-PTFE	
NF	Aluminum Alloy	Cad/O.D. Over Electroless Nickel (1,000 Hour Salt Spray)	
Z1	300 Series SST	Passivate	
ZN	Aluminum Alloy	Zinc Nickel/O.D. Over Electroless Nickel (1,000 Hour Salt Spray)	
ZM	300 Series SST	Electroless Nickel	Adapter, Elbow
		Passivate	Coupling Nut
ZW	300 Series SST	Cad O.D. Over Electroless Nickel	Adapter, Elbow
		Cad Olive Drab	Coupling Nut