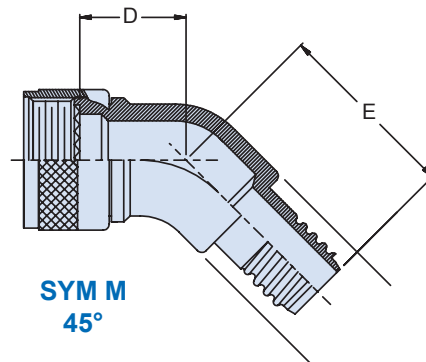
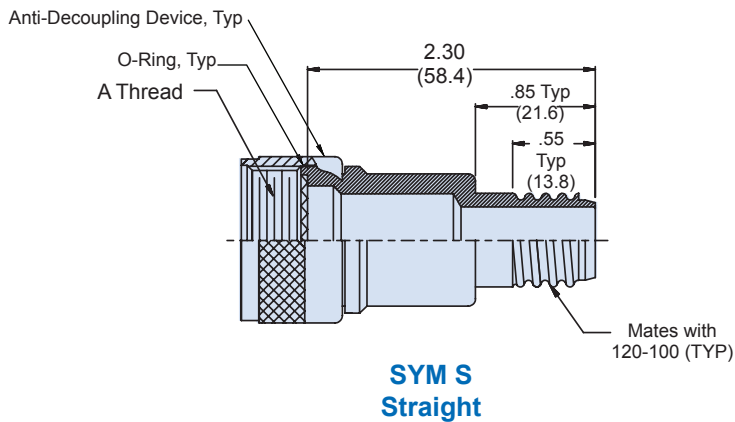
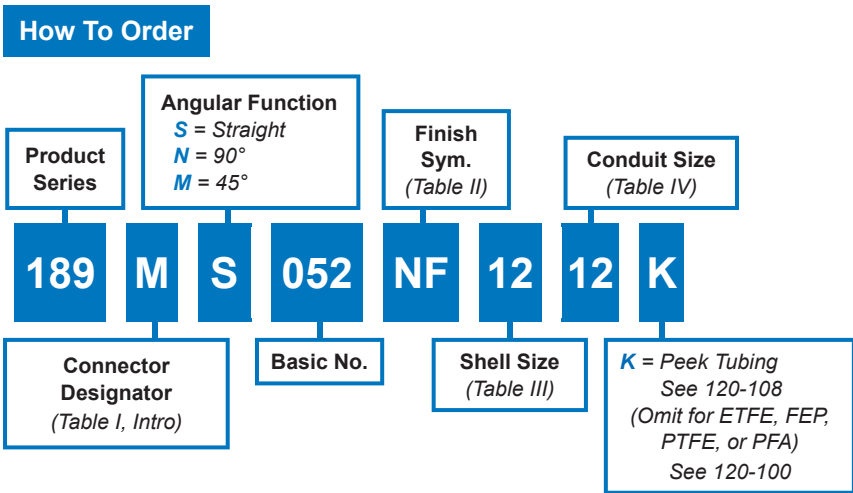




**189 M\* 052**  
**Convolved Tubing Backshell**  
 for Series 80 Mighty Mouse Fiber Optic Connectors

**Convolved tubing-to-connector fiber optic backshell for Series 80 Mighty Mouse**



**Material and Finish**

- Adapter, Coupling Nut and Ferrule: Al Alloy/see Table II
- O-Ring: Fluorosilicone/N.A.
- Anti-Decoupling Device: Corrosion resistant material/N.A.

**189 M\* 052**  
**Convolute Tubing Backshell**  
 for Series 80 Mighty Mouse Fiber Optic Connectors



Special Applications

Table III: Shell Size							
Shell Size	A Thread Class 2B	Ø B Max	C	D Max	E Max	F Max	G Max
12	.6875-24 UNEF-2A	.910 (23.1)	.620 (15.7)	.910 (23.1)	1.250 (31.8)	1.985 (50.4)	2.395 (60.8)
14	.9375-20 UNEF-2A	1.250 (31.8)	.875 (22.2)	1.020 (25.9)	1.370 (34.8)	2.115 (53.7)	2.465 (62.6)
15	.9375-20 UNEF-2A	1.250 (31.8)	.875 (22.2)	1.020 (25.9)	1.370 (34.8)	2.115 (53.7)	2.465 (62.6)

Table II: Finish	
SYM	Finish
B	Cadmium Plate/Olive Drab
J	Gold Iridite over Cadmium Plate over Nickel
M	Electroless Nickel
N	Cadmium Plate/Olive Drab over Nickel
NF	Cadmium/Olive Drab over Electroless Nickel (1000 Hours Salt Spray)
T	Cadmium Plate/Bright Dip over Nickel

Table IV: PEEK Conduit Size		
Frac. Size	Dash No.	Ø H Max
3/8	12	.320 (8.1)
1/2	16	.425 (10.8)
5/8	20	.550 (14.0)
3/4	24	.680 (17.3)

