



**CONDUIT
SYSTEMS**

**Purple PEEK Fiber Optic
Convolted Tubing System**



Special-purpose PEEK convoluted tubing and lightweight, durable composite thermoplastic accessories—color-coded purple for aerospace fiber optic interconnect systems

- Lightweight, halogen-free PEEK convoluted tubing for fiber media routing
- Full range of connector-to-conduit adapters and protective covers
- “Y”, “T”, and “+” fittings for multibranch harness installations
- FiberCon backshells for the specific routing and strain-relief requirements of optical fiber

PURPLE PEEK CONDUIT FOR OPTICAL FIBER



Low-smoke, zero-hal PEEK convoluted tubing

How To Order Purple PEEK Fiber Media Protection Conduit			
Sample Part Number	120-108	16	P
Series	120-108 Standard diameter PEEK conduit		
Tubing Size	06, 09, 10, 12, 16, 20, 24, 28, 32, 40, 48, 56, 64		
Color	P = Purple		



FIBERCON CONDUIT ADAPTER BACKSHELLS



Straight, 45°, and 90° adapters for fiber optic PEEK conduit system installation

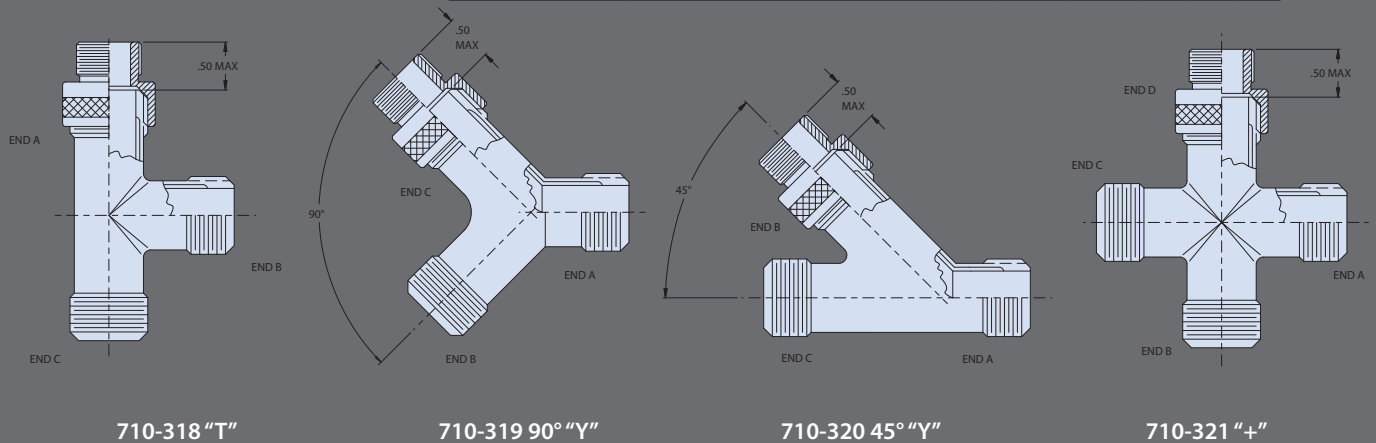
How To Order Purple FiberCon Conduit Adapter Backshells									
Sample Part Number	377	H	S	014	XV	11	06	4	K
Series	377 Fiber Con backshell product series								
Connector Designator	H = MIL-DTL-38999 Series III								
Angle	S = Straight W = 90° full-radius elbow T = 45° full-radius elbow								
Basic Number	014								
Finish	XV = Purple								
Shell Size	11, 13, 15, 17, 19, 21, 23, 25								
Optional Entry Size	03, 04, 05, 06, 07, 08, 10, 11, 13, 15, 17, Omit for standard. See catalog for full dimensions								
Length	in 1/2 inch increments (e.g. 4 = 2")								
Conduit Interface	K = PEEK Conduit termination configuration								

TRANSITION ADAPTERS



"T", "Y", and "+" adapters for multibranch fiber optic conduit harnesses

How To Order Purple FiberCon Conduit Adapter Backshells					
Sample Part Number	710	-318	XV	19	K
Series	710 Composite transition adapter				
Transition Type	-318 = "T" transition -319 90° "Y" transition -320 = 45° "Y" transition -321 "+" transition				
Finish	XV = Purple				
Shell Size	11, 13, 15, 17, 19, 21, 23, 25				
End A Dash No.	01, 02, 03, 04, 05, 06, 07, See catalog for dimensions				
End B Dash No.	01, 02, 03, 04, 05, 06, 07, See catalog for dimensions				
End C Dash No.	01, 02, 03, 04, 05, 06, 07, See catalog for dimensions				
End D Dash No.	01, 02, 03, 04, 05, 06, 07, See catalog for dimensions (-321 "+" transition only)				
Contact Glenair Engineering for size availability					



AEROSPACE-GRADE Purple PEEK Fiber Optic Conduit System

Tubing and accessories



PROTECTIVE COVERS



How To Order Purple Protective Covers	
Sample Part Number	660 -049 XV 21 R 6 -04
Series	660 = Composite protective cover
Style Designator	-049 = Plug Cover -050 = Receptacle Cover
Finish	XV = Purple
Shell Size	11, 13, 15, 17, 19, 21, 23, 25
Lanyard Type	See catalog lanyard code table
Attachment Length	In Inches
Ring Style	See catalog tables I, II, III, IV

Lanyard Code	
Code	Description
D	Bead Chain, CRES, Passivated
F	Wire Rope, Nylon Jacket
G	Nylon Rope, Black
H	Wire Rope, Fluoropolymer Jacket
K	Nylon Rope, Olive Drab
N	No Lanyard
R	Wire Rope, PVC Jacket
S	#8 Sash Chain, CRES, Passivated
T	Wire Rope, No Jacket
U	Wire Rope, Polyurethane Jacket with terminal
SK	Nylon Rope (Black) w/Slip Knot

Available Lanyard Types	
	Bead Chain (Type D)
	Sash Chain (Type S)
	Wire or Nylon Rope (Types F, G, H, K, R, T, U)

SPLIT RING	SOLID RING	SOLID RING	ATTACHMENT RING																																																																																																																																																																																						
Table I	Table II	Table III	Table IV																																																																																																																																																																																						
<table border="1"> <thead> <tr><th>Dash No</th><th>L Dia ±.015 (0.4)</th></tr> </thead> <tbody> <tr><td>50</td><td>.425 (10.8)</td></tr> <tr><td>52</td><td>.485 (12.3)</td></tr> <tr><td>54</td><td>.640 (16.3)</td></tr> <tr><td>56</td><td>.750 (19.1)</td></tr> <tr><td>58</td><td>.890 (22.6)</td></tr> <tr><td>60</td><td>1.015 (25.8)</td></tr> <tr><td>62</td><td>1.095 (27.8)</td></tr> <tr><td>64</td><td>1.130 (28.7)</td></tr> <tr><td>66</td><td>1.250 (31.8)</td></tr> <tr><td>68</td><td>1.350 (34.3)</td></tr> <tr><td>70</td><td>1.375 (34.92)</td></tr> <tr><td>72</td><td>1.485 (37.7)</td></tr> <tr><td>74</td><td>1.625 (41.3)</td></tr> <tr><td>76</td><td>1.750 (44.5)</td></tr> <tr><td>78</td><td>1.875 (47.6)</td></tr> <tr><td>80</td><td>1.980 (50.3)</td></tr> <tr><td>82</td><td>2.060 (52.3)</td></tr> <tr><td>84</td><td>2.235 (56.8)</td></tr> <tr><td>86</td><td>2.310 (58.7)</td></tr> <tr><td>88</td><td>2.475 (62.9)</td></tr> <tr><td>90</td><td>2.655 (67.4)</td></tr> <tr><td>92</td><td>2.810 (71.4)</td></tr> <tr><td>94</td><td>3.045 (77.3)</td></tr> </tbody> </table>	Dash No	L Dia ±.015 (0.4)	50	.425 (10.8)	52	.485 (12.3)	54	.640 (16.3)	56	.750 (19.1)	58	.890 (22.6)	60	1.015 (25.8)	62	1.095 (27.8)	64	1.130 (28.7)	66	1.250 (31.8)	68	1.350 (34.3)	70	1.375 (34.92)	72	1.485 (37.7)	74	1.625 (41.3)	76	1.750 (44.5)	78	1.875 (47.6)	80	1.980 (50.3)	82	2.060 (52.3)	84	2.235 (56.8)	86	2.310 (58.7)	88	2.475 (62.9)	90	2.655 (67.4)	92	2.810 (71.4)	94	3.045 (77.3)	<table border="1"> <thead> <tr><th>Dash No</th><th>M Dia ±.015 (0.4)</th></tr> </thead> <tbody> <tr><td>08</td><td>.468 (11.9)</td></tr> <tr><td>10</td><td>.593 (15.1)</td></tr> <tr><td>12</td><td>.718 (18.2)</td></tr> <tr><td>13</td><td>.765 (19.4)</td></tr> <tr><td>14</td><td>.844 (21.4)</td></tr> <tr><td>15</td><td>.890 (22.6)</td></tr> <tr><td>16</td><td>.968 (24.6)</td></tr> <tr><td>17</td><td>1.015 (25.8)</td></tr> <tr><td>18</td><td>1.093 (27.8)</td></tr> <tr><td>19</td><td>1.140 (29.0)</td></tr> <tr><td>20</td><td>1.187 (30.15)</td></tr> <tr><td>21</td><td>1.265 (32.1)</td></tr> <tr><td>22</td><td>1.343 (34.1)</td></tr> <tr><td>23</td><td>1.453 (36.9)</td></tr> <tr><td>24</td><td>1.484 (37.7)</td></tr> <tr><td>25</td><td>1.577 (40.1)</td></tr> <tr><td>27</td><td>1.640 (41.7)</td></tr> <tr><td>28</td><td>1.687 (42.8)</td></tr> <tr><td>29</td><td>1.765 (44.8)</td></tr> <tr><td>30</td><td>1.890 (48.0)</td></tr> <tr><td>31</td><td>1.953 (49.6)</td></tr> <tr><td>32</td><td>1.968 (50.0)</td></tr> <tr><td>33</td><td>2.077 (52.8)</td></tr> <tr><td>35</td><td>2.140 (54.4)</td></tr> <tr><td>36</td><td>2.187 (55.5)</td></tr> <tr><td>40</td><td>2.406 (61.1)</td></tr> <tr><td>44</td><td>2.656 (67.5)</td></tr> <tr><td>48</td><td>3.031 (77.0)</td></tr> </tbody> </table>	Dash No	M Dia ±.015 (0.4)	08	.468 (11.9)	10	.593 (15.1)	12	.718 (18.2)	13	.765 (19.4)	14	.844 (21.4)	15	.890 (22.6)	16	.968 (24.6)	17	1.015 (25.8)	18	1.093 (27.8)	19	1.140 (29.0)	20	1.187 (30.15)	21	1.265 (32.1)	22	1.343 (34.1)	23	1.453 (36.9)	24	1.484 (37.7)	25	1.577 (40.1)	27	1.640 (41.7)	28	1.687 (42.8)	29	1.765 (44.8)	30	1.890 (48.0)	31	1.953 (49.6)	32	1.968 (50.0)	33	2.077 (52.8)	35	2.140 (54.4)	36	2.187 (55.5)	40	2.406 (61.1)	44	2.656 (67.5)	48	3.031 (77.0)	<table border="1"> <thead> <tr><th>Dash No</th><th>N Dia ±.015 (0.4)</th></tr> </thead> <tbody> <tr><td>100</td><td>.391 (9.9)</td></tr> <tr><td>101</td><td>.516 (13.1)</td></tr> <tr><td>102</td><td>.583 (14.8)</td></tr> <tr><td>103</td><td>.641 (16.3)</td></tr> <tr><td>104</td><td>.708 (18.0)</td></tr> <tr><td>105</td><td>.766 (19.5)</td></tr> <tr><td>205</td><td>.788 (20.0)</td></tr> <tr><td>106</td><td>.896 (22.2)</td></tr> <tr><td>206</td><td>.907 (23.0)</td></tr> <tr><td>107</td><td>1.016 (25.8)</td></tr> <tr><td>207</td><td>1.025 (26.0)</td></tr> <tr><td>108</td><td>1.141 (29.0)</td></tr> <tr><td>308</td><td>1.188 (30.18)</td></tr> <tr><td>208</td><td>1.203 (30.6)</td></tr> <tr><td>109</td><td>1.266 (32.2)</td></tr> <tr><td>209</td><td>1.312 (33.32)</td></tr> <tr><td>110</td><td>1.391 (35.3)</td></tr> <tr><td>210</td><td>1.438 (36.53)</td></tr> <tr><td>111</td><td>1.521 (38.63)</td></tr> <tr><td>211</td><td>1.536 (39.01)</td></tr> <tr><td>112</td><td>1.641 (41.68)</td></tr> <tr><td>113</td><td>1.766 (44.86)</td></tr> <tr><td>213</td><td>1.812 (46.02)</td></tr> <tr><td>114</td><td>1.891 (48.03)</td></tr> <tr><td>214</td><td>1.938 (49.23)</td></tr> <tr><td>115</td><td>2.078 (52.78)</td></tr> <tr><td>116</td><td>2.406 (61.11)</td></tr> <tr><td>117</td><td>2.510 (63.75)</td></tr> </tbody> </table>	Dash No	N Dia ±.015 (0.4)	100	.391 (9.9)	101	.516 (13.1)	102	.583 (14.8)	103	.641 (16.3)	104	.708 (18.0)	105	.766 (19.5)	205	.788 (20.0)	106	.896 (22.2)	206	.907 (23.0)	107	1.016 (25.8)	207	1.025 (26.0)	108	1.141 (29.0)	308	1.188 (30.18)	208	1.203 (30.6)	109	1.266 (32.2)	209	1.312 (33.32)	110	1.391 (35.3)	210	1.438 (36.53)	111	1.521 (38.63)	211	1.536 (39.01)	112	1.641 (41.68)	113	1.766 (44.86)	213	1.812 (46.02)	114	1.891 (48.03)	214	1.938 (49.23)	115	2.078 (52.78)	116	2.406 (61.11)	117	2.510 (63.75)	<table border="1"> <thead> <tr><th>Dash No</th><th>K Dia ±.010 (0.25)</th></tr> </thead> <tbody> <tr><td>01</td><td>.140 (3.56)</td></tr> <tr><td>02</td><td>.182 (4.62)</td></tr> <tr><td>03</td><td>.191 (4.85)</td></tr> <tr><td>04</td><td>.197 (5.00)</td></tr> <tr><td>05</td><td>.167 (4.24)</td></tr> <tr><td>06</td><td>.125 (3.18)</td></tr> <tr><td>07</td><td>.218 (5.54)</td></tr> <tr><td>09</td><td>.156 (3.96)</td></tr> </tbody> </table>	Dash No	K Dia ±.010 (0.25)	01	.140 (3.56)	02	.182 (4.62)	03	.191 (4.85)	04	.197 (5.00)	05	.167 (4.24)	06	.125 (3.18)	07	.218 (5.54)	09	.156 (3.96)
Dash No	L Dia ±.015 (0.4)																																																																																																																																																																																								
50	.425 (10.8)																																																																																																																																																																																								
52	.485 (12.3)																																																																																																																																																																																								
54	.640 (16.3)																																																																																																																																																																																								
56	.750 (19.1)																																																																																																																																																																																								
58	.890 (22.6)																																																																																																																																																																																								
60	1.015 (25.8)																																																																																																																																																																																								
62	1.095 (27.8)																																																																																																																																																																																								
64	1.130 (28.7)																																																																																																																																																																																								
66	1.250 (31.8)																																																																																																																																																																																								
68	1.350 (34.3)																																																																																																																																																																																								
70	1.375 (34.92)																																																																																																																																																																																								
72	1.485 (37.7)																																																																																																																																																																																								
74	1.625 (41.3)																																																																																																																																																																																								
76	1.750 (44.5)																																																																																																																																																																																								
78	1.875 (47.6)																																																																																																																																																																																								
80	1.980 (50.3)																																																																																																																																																																																								
82	2.060 (52.3)																																																																																																																																																																																								
84	2.235 (56.8)																																																																																																																																																																																								
86	2.310 (58.7)																																																																																																																																																																																								
88	2.475 (62.9)																																																																																																																																																																																								
90	2.655 (67.4)																																																																																																																																																																																								
92	2.810 (71.4)																																																																																																																																																																																								
94	3.045 (77.3)																																																																																																																																																																																								
Dash No	M Dia ±.015 (0.4)																																																																																																																																																																																								
08	.468 (11.9)																																																																																																																																																																																								
10	.593 (15.1)																																																																																																																																																																																								
12	.718 (18.2)																																																																																																																																																																																								
13	.765 (19.4)																																																																																																																																																																																								
14	.844 (21.4)																																																																																																																																																																																								
15	.890 (22.6)																																																																																																																																																																																								
16	.968 (24.6)																																																																																																																																																																																								
17	1.015 (25.8)																																																																																																																																																																																								
18	1.093 (27.8)																																																																																																																																																																																								
19	1.140 (29.0)																																																																																																																																																																																								
20	1.187 (30.15)																																																																																																																																																																																								
21	1.265 (32.1)																																																																																																																																																																																								
22	1.343 (34.1)																																																																																																																																																																																								
23	1.453 (36.9)																																																																																																																																																																																								
24	1.484 (37.7)																																																																																																																																																																																								
25	1.577 (40.1)																																																																																																																																																																																								
27	1.640 (41.7)																																																																																																																																																																																								
28	1.687 (42.8)																																																																																																																																																																																								
29	1.765 (44.8)																																																																																																																																																																																								
30	1.890 (48.0)																																																																																																																																																																																								
31	1.953 (49.6)																																																																																																																																																																																								
32	1.968 (50.0)																																																																																																																																																																																								
33	2.077 (52.8)																																																																																																																																																																																								
35	2.140 (54.4)																																																																																																																																																																																								
36	2.187 (55.5)																																																																																																																																																																																								
40	2.406 (61.1)																																																																																																																																																																																								
44	2.656 (67.5)																																																																																																																																																																																								
48	3.031 (77.0)																																																																																																																																																																																								
Dash No	N Dia ±.015 (0.4)																																																																																																																																																																																								
100	.391 (9.9)																																																																																																																																																																																								
101	.516 (13.1)																																																																																																																																																																																								
102	.583 (14.8)																																																																																																																																																																																								
103	.641 (16.3)																																																																																																																																																																																								
104	.708 (18.0)																																																																																																																																																																																								
105	.766 (19.5)																																																																																																																																																																																								
205	.788 (20.0)																																																																																																																																																																																								
106	.896 (22.2)																																																																																																																																																																																								
206	.907 (23.0)																																																																																																																																																																																								
107	1.016 (25.8)																																																																																																																																																																																								
207	1.025 (26.0)																																																																																																																																																																																								
108	1.141 (29.0)																																																																																																																																																																																								
308	1.188 (30.18)																																																																																																																																																																																								
208	1.203 (30.6)																																																																																																																																																																																								
109	1.266 (32.2)																																																																																																																																																																																								
209	1.312 (33.32)																																																																																																																																																																																								
110	1.391 (35.3)																																																																																																																																																																																								
210	1.438 (36.53)																																																																																																																																																																																								
111	1.521 (38.63)																																																																																																																																																																																								
211	1.536 (39.01)																																																																																																																																																																																								
112	1.641 (41.68)																																																																																																																																																																																								
113	1.766 (44.86)																																																																																																																																																																																								
213	1.812 (46.02)																																																																																																																																																																																								
114	1.891 (48.03)																																																																																																																																																																																								
214	1.938 (49.23)																																																																																																																																																																																								
115	2.078 (52.78)																																																																																																																																																																																								
116	2.406 (61.11)																																																																																																																																																																																								
117	2.510 (63.75)																																																																																																																																																																																								
Dash No	K Dia ±.010 (0.25)																																																																																																																																																																																								
01	.140 (3.56)																																																																																																																																																																																								
02	.182 (4.62)																																																																																																																																																																																								
03	.191 (4.85)																																																																																																																																																																																								
04	.197 (5.00)																																																																																																																																																																																								
05	.167 (4.24)																																																																																																																																																																																								
06	.125 (3.18)																																																																																																																																																																																								
07	.218 (5.54)																																																																																																																																																																																								
09	.156 (3.96)																																																																																																																																																																																								
* = Max diameter over which mandrel will rotate freely																																																																																																																																																																																									