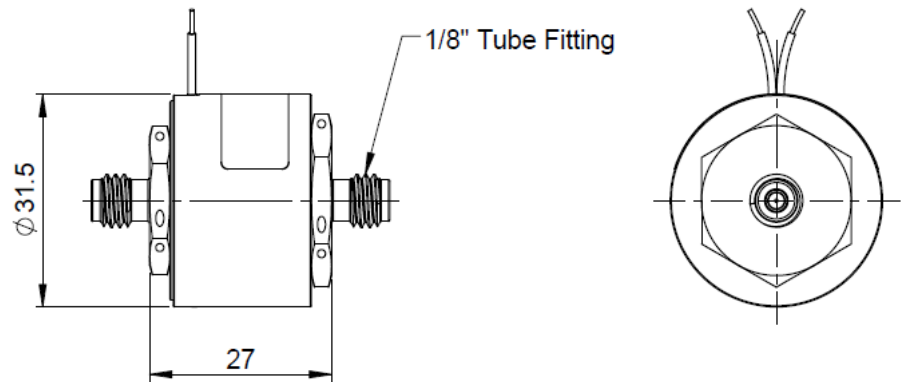


OUTLINE SPECIFICATION Solenoid Valve



NORMALLY-CLOSED, SINGLE-DIRECTION, HIGH-PRESSURE PNEUMATIC SOLENOID VALVE



Gases:	Pure Air, Nitrogen, Argon
Inlet Pressure:	500 bar (gauge)
Flow Area:	0.5 mm diameter (through valve)
Proof Test Pressure:	750 bar (gauge)
Leakage Test:	To be defined, subject to application (for a specific gas, "bubble" test or maximum flow rate)
Temperature Range:	-40°C to 70°C
Voltage Range:	18 - 32 Volts (dc)
Coil Resistance:	105 Ohms (nominal) at 20°C
Maximum Power:	10 W at 20°C
Operation:	For continuous operation of the valve illustrated, the current is reduced after opening to a holding value. To operate continuously at the maximum voltage, a longer valve would be required. Similar designs are possible, with a different coil resistance and maximum power, affecting the time to open the valve.
Fittings (shown):	Tube fitting ends (Swagelok-type) for 1/8" OD tube; other options would be possible, subject to pressure rating
Mass:	116 grams (excluding the flying wires)