

SPECIAL PURPOSE
AEROSPACE
CONNECTORS
AND CONTACTS



Crimp wire termination
solution saves time and labor
over manual D0150 splicing



Glenair SpliceSaver™ reduces manual wire splice and terminal block operations

SpliceSaver™ is an innovative interconnect technology developed by Glenair for use in aircraft wiring operations that rely on heat shrink splicing of aircraft signal, sensor, and data transmission wiring. Single-piece SpliceSaver designs allow remote harness assembly facilities to pre-terminate each line with a crimp-and-poke contact. During aircraft wire harness installation, cabling is routed to interconnection points and the contact-equipped wires are quickly and easily installed into the lightweight single-piece SpliceSaver connector. Two-piece Spiralock® SpliceSaver designs enable the harness facility to terminate wires to the small form-factor, lightweight “connector” for subsequent mating on the aircraft. A special bussed version is also available. All SpliceSaver styles feature integrated banding platforms for the termination of EMI shielding utilizing qualified banding technology—one-piece design features three platforms for termination at both ends and in the center. Compared to legacy terminal blocks and wire splice technology, SpliceSaver offers faster, cleaner, and more reliable routing and termination of discrete wiring.

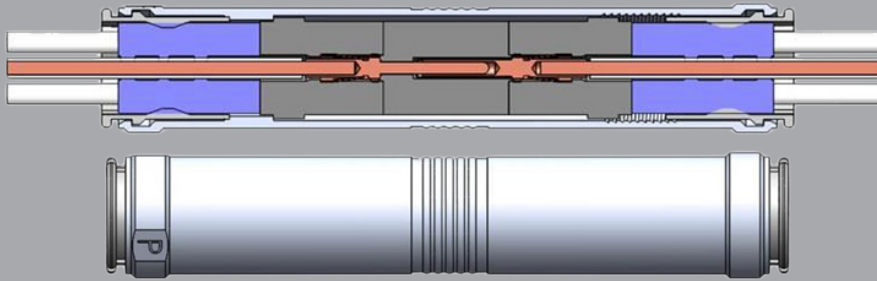


- Lightweight construction
- Conductive (plated) or non-conductive versions
- Crimp contact technology: front release/rear removal
- Three to nineteen circuits per unit
- Environmentally sealed
- Full-mate indicator
- Replaces labor-intensive terminal blocks and splices

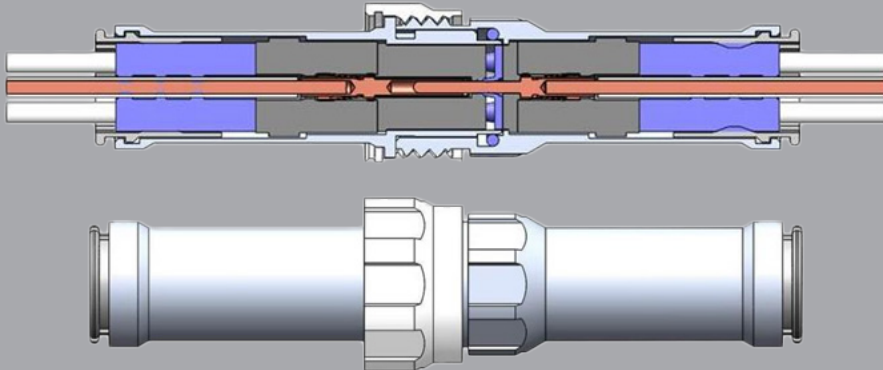
TIME SAVING · LABOR SAVING · WEIGHT SAVING
SpliceSaver™ Fast and reliable replacement
 for wire splice and terminal block technologies



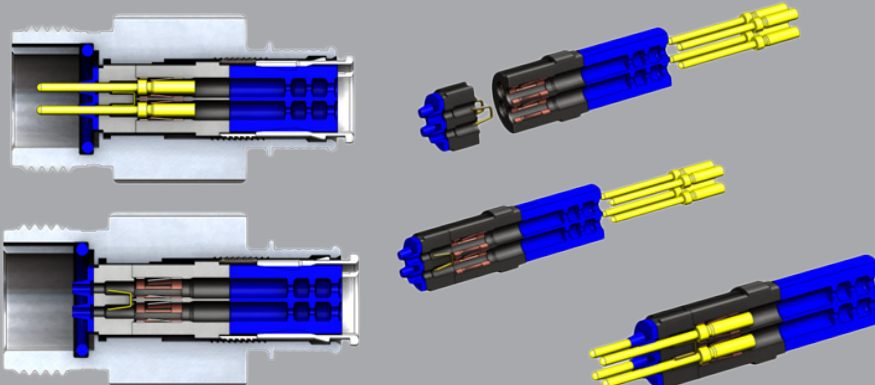
SPLICESAVER AVAILABLE CONFIGURATIONS—FEATURES AND SPECIFICATIONS



Single-Piece



Spirallock® Threaded



Bussed

- Triple ripple grommet wire seal for sealing at high altitude
- Machined contact utilizes mil-spec crimp tooling
- Contacts are removable allowing corrections to circuits during testing if required

SpliceSaver™ Specifications

Altitude immersion:
75,000 ft.

DWV rating at altitude:
>800 V

Dielectric Withstanding Voltage Ratings:
22AWG = 5 amps/contact
20AWG = 7.5 amps/contact

Material and finish options
(for compatibility with available EMI/RFI braid materials):
Cadmium-plated aluminum
Nickel-plated aluminum
Nickel-plated brass

SpliceSaver™ Weight Analysis

Receptacle connector:
1.6 grams including contacts and seals

Plug connector:
1.66 grams including contacts and seals

Total connector mass:
5.66 grams (all contact locations installed)

Accessories: Add the variable mass of two or three nano bands trimmed to length of grooves in the split sleeve