

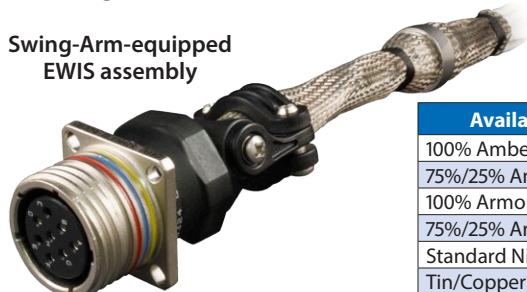


# COMPOSITE 3-IN-1 Swing-Arm®

## Lightweight, corrosion-free, vibration dampening next-generation EMI/RFI strain relief backshell

**G**lenair's composite Swing-Arm strain relief backshell provides lightweight and corrosion free termination of EMI/RFI cable shielding in electrical wire interconnect cabling. This innovative backshell has become the standard shield termination device for weight reduction in military and commercial airframe applications. Made from temperature-tolerant composite thermoplastic, rugged Swing-Arm backshells offer easy installation, long-term performance, and outstanding weight and SKU reduction. Performance tested to stringent AS85049 mechanical and electrical standards and available for all commonly-specified mil-standard and commercial cylindrical connectors including MIL-DTL-38999 and Glenair Series 80 Mighty Mouse.

Swing-Arm-equipped  
EWIS assembly



Available Swing-Arm Braid Sock Configurations
100% AmberStrand® (metal-clad composite)
75%/25% AmberStrand® / Nickel/Copper blend
100% ArmorLite™ (stainless steel microfilament, plated)
75%/25% ArmorLite™ / Nickel/Copper blend
Standard Nickel/Copper (34 AWG)
Tin/Copper (34 AWG)



Swing-Arm universal straight, 45°, and 90° design  
reduces part number proliferation



Swing-Arm with drop-in shield  
termination follower reduces  
assembly time and complexity



Swing-Arm with integrated  
braid sock for rapid and reliable  
termination of electrical wire  
interconnect shielding

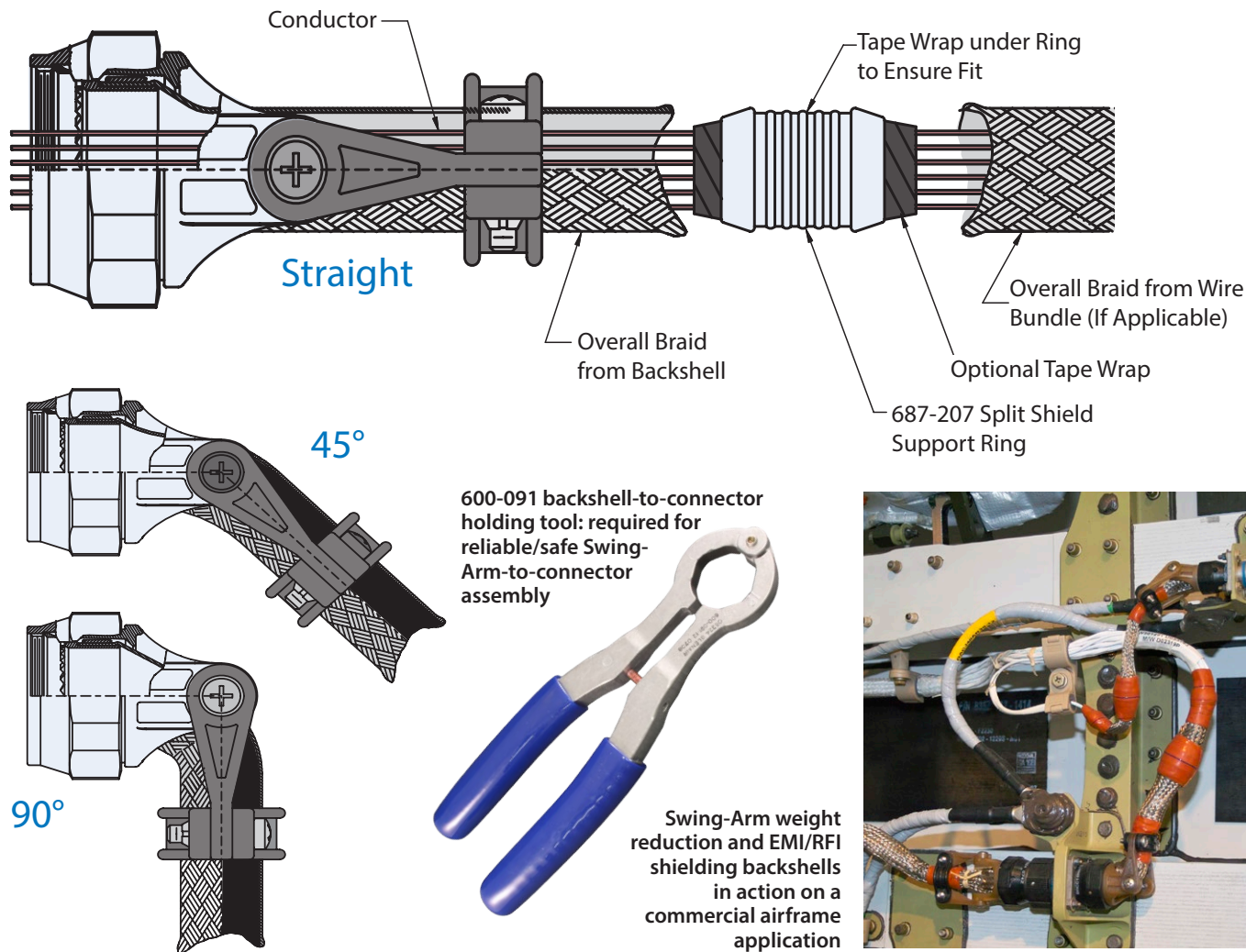


EMI/RFI SHIELDING AND STRAIN RELIEF

# Swing-Arm 3-in-1 lightweight composite backshell

with straight, 45° and 90° routing

**SWING ARM**<sup>®</sup>  
COMPOSITE THREE-IN-ONE BACKSHELL



## NEW SWING-ARM FLEX: LIGHTWEIGHT EMI/RFI STRAIN RELIEF BACKSHELLS



- Straight, 45°, and 90° configurable backshell
- Significant weight reduction: composite, no saddle bars or hardware
- Rapid assembly: cable self-centers on bundle, little or no wrapping tape required
- Braid sock and drop-in band termination follower versions for EMI/RFI applications
- Accommodates lacing cord or tie wrap for strain relief and wire bundle management applications
- Supports a wide range of cable bundle diameters
- Available in a variety of interfaces:
  - Drop-in-follower (DIF)
  - Direct interface
  - Braid sock

**SWING ARM**<sup>®</sup>  
COMPOSITE THREE-IN-ONE BACKSHELL  
**FLEX**