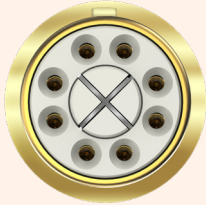


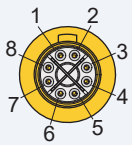
## El Ochito® White Pin-to-Socket Cat 6A Cable Assembly 8571-0002



El Ochito® White for 10GBASE-T Ethernet, pin contact mating face

**Lower installed cost. 100% tested.** Save assembly time and cost with pre-wired El Ochito® White assemblies. These pin-to-socket cables have El Ochito® White contacts terminated to Category 6A aerospace-grade shielded cable. Supplied with cable sealing boot if applicable. These pre-wired El Ochito® contacts snap into connector body without requiring an insertion tool. Remove contacts with plastic tool 859-049. Compatible with Glenair Series 23, Series 80, Series 28, Series 792, Series 806, ARINC 600 and EPXB connectors. Designed to meet the requirements of MIL-DTL-38999, SAE AS39029. *El Ochito® contacts must be installed in keyed connectors before mating to prevent misalignment and contact damage.*

### Contact Positions



Mating face of Pin

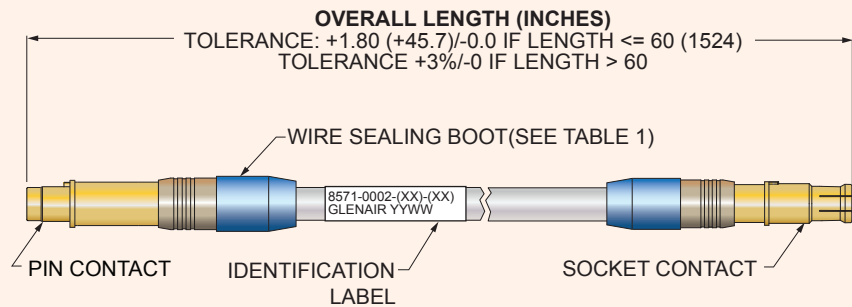
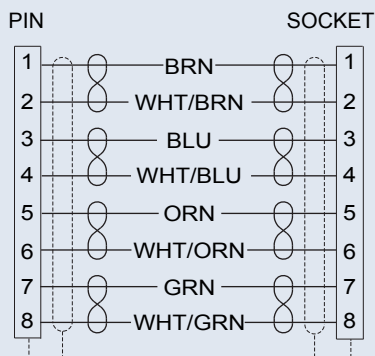


Mating face of Socket

### Technical Data

- Refer to individual contact and cable data sheets for construction details
- 100% tested for shorts, continuity and IR
- Operating temp.:** -65° to +175°C
- Impedance:** 100 ohms
- DWV:** 500 Vrms
- Current Rating:** 1.5 A
- IR:** 200 megohms min.
- Durability:** 500 mating cycles

### Wiring Diagram



### Category 6A Pre-Wired El Ochito® Pin-Socket Assemblies

| Sample Part Number | 8571-0002  | -01 | -36 |
|--------------------|--|-----|-----|
| Product            | 8571-0002 = Pre-wired El Ochito® contacts, Pin-to-Socket |     |     |
| Order Code         | See Table 1  |     |     |
| Length             | Length in Inches (12 inch minimum)                       |     |     |

### Table 1 Order Code

| Connector Type                                  | Order Code | Pin Contact Part No. | Skt Contact Part No. | Sealing Boot | Cable Type           | Cable Part Number |
|---|------------|----------------------|----------------------|--------------|----------------------|-------------------|
| Series 23<br>Series 801<br>and 805<br>Series 28 | 01         | 858-003-01F          | 858-004-01F          | Yes          | S/UTP CAT6A #26 .220 | 963-003-26        |
|   | 02         | 858-005-01           | 858-006-01           | No           | S/UTP CAT6A #26 .220 | 963-003-26        |
|   | 03         | 858-005-02           | 858-006-02           | No           | S/FTP CAT6A #26 .220 | 963-033-26        |
|   | 04         | 858-005-04           | 858-006-04           | No           | S/FTP CAT6A #24 .260 | 963-033-24        |
|   | 05         | 858-003-02F          | 858-004-02F          | Yes          | S/FTP CAT6A #26 .220 | 963-033-26        |
| Series 792<br>and 806                           | 06         | 858-045-01F          | 858-046-01F          | Yes          | S/UTP CAT6A #26 .220 | 963-003-26        |
|   | 07         | 858-045-02F          | 858-046-02F          | Yes          | S/FTP CAT6A #26 .220 | 963-033-26        |
| ARINC 600                                       | 08         | 858-009-01           | 858-010-01           | No           | S/UTP CAT6A #26 .220 | 963-003-26        |
|   | 09         | 858-009-02           | 858-010-02           | No           | S/FTP CAT6A #26 .220 | 963-033-26        |
| EPXB  | 10         | 858-014-01F          | 858-015-01F          | Yes          | S/UTP CAT6A #26 .220 | 963-033-26        |