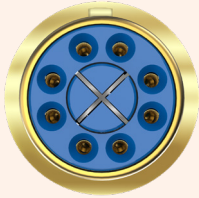
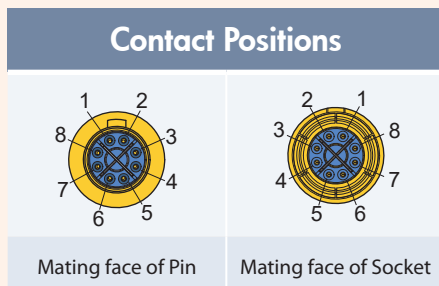


El Ochito[®] Blue Single-Ended SuperSpeed USB Cable Assembly 8572-0001

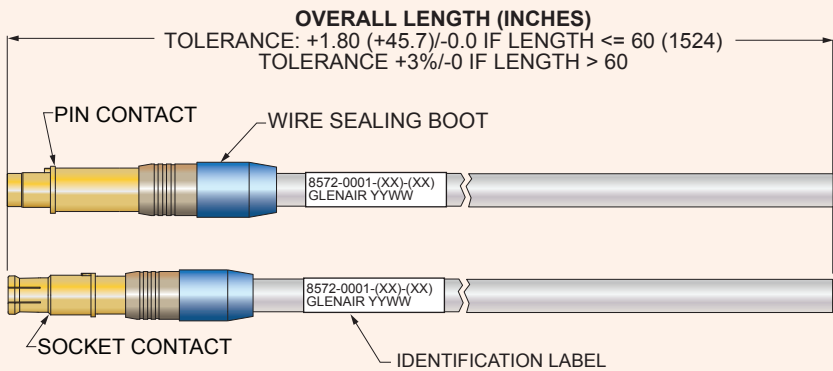
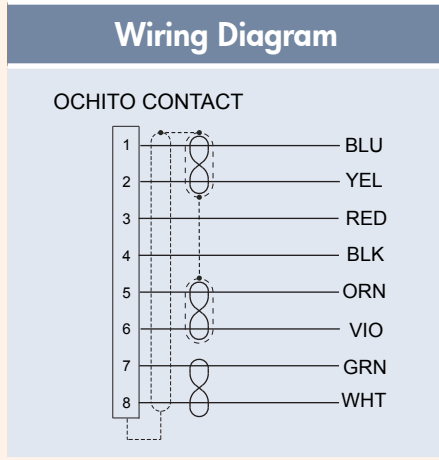


El Ochito[®] Blue for SuperSpeed USB, pin contact mating face

Two cable options: commercial grade or flight-grade. 100% tested. Save assembly time and cost with pre-wired El Ochito[®] Blue SuperSpeed USB assemblies. These single-ended assemblies have El Ochito[®] Blue contacts terminated to USB 3.0 shielded cables. Supplied with cable sealing boot. Commercial-grade version has PVC jacket. Aerospace-grade version has high temperature fluoropolymer construction and braided shields on SuperSpeed pairs. Compatible with Glenair Series 23, Series 80, Series 28, Series 792, Series 806, and ARINC 600 connectors. **El Ochito[®] contacts must be installed in keyed connectors before mating to prevent misalignment and contact damage.**



- ### Technical Data
- Refer to individual contact and cable data sheets for construction details
 - 100% tested for shorts, continuity and IR
 - **Operating temp.:** -65° to +125°C, aerospace-grade
0° to +80°C, commercial-grade
 - **Impedance:** 90 ohms
 - **DWV:** 100 Vrms
 - **Current Rating:** 1.5 A
 - **IR:** 100 megohms min.
 - **Durability :** 500 mating cycles



El Ochito[®] Blue USB Single-Ended Cable Assemblies

Sample Part Number →	8572-0001	-01	-36
Product	8572-0001 = Pre-wired El Ochito [®] contact with USB 3.0 cable		
Order Code	See Table 1		
Length	Length in Inches (12 inch minimum)		

Table 1 Order Code

Connector Type	Order Code	Contact Part No.	Pin/Skt	Cable Type	Cable Part Number
Series 23 Series 801 and 805 Series 28	01	858-028-01F	Pin	Commercial-grade, PVC Jacket, 0° to +80°C	963-118
	02	858-028-02F	Pin		963-118
	03	858-029-01F	Socket	Aerospace-grade, Fluoropolymer Jacket, -65° to +200°C	963-110
ARINC 600	04	858-029-02F	Socket	Commercial-grade, PVC Jacket, 0° to +80°C	963-110
	05	858-038-01	Pin		963-118
	07	858-035-01	Socket	Aerospace-grade, Fluoropolymer Jacket, -65° to +200°C	963-118
	06	858-038-02	Pin		963-110
Series 792 and 806	08	858-035-02	Socket	Commercial-grade, PVC Jacket, 0° to +80°C	963-118
	09	858-047-01F	Pin		963-118
	11	858-048-01F	Socket	Aerospace-grade, Fluoropolymer Jacket, -65° to +200°C	963-118
	10	858-047-02F	Pin		963-110
	12	858-048-02F	Socket		963-110