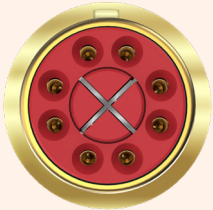
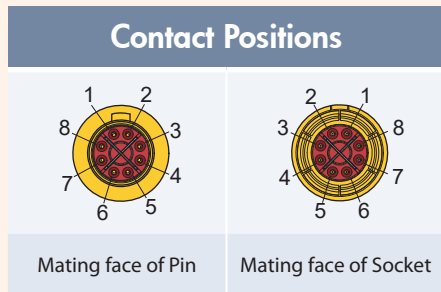


## El Ochito® Red Single-Ended Cable Assembly 8573-0001



El Ochito® Red for Multi-Gigabit 100 Ohm Datalinks, pin contact mating face

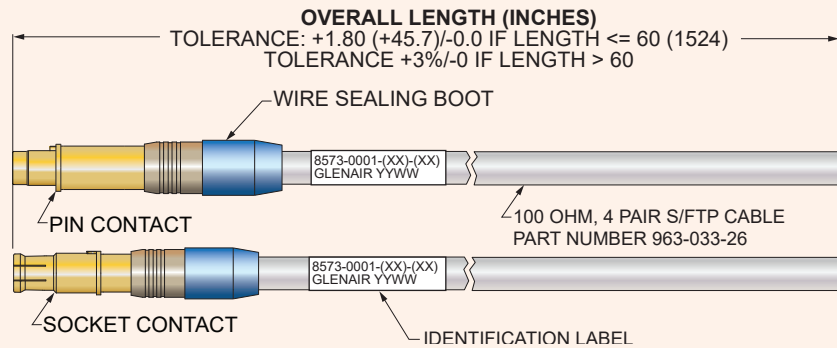
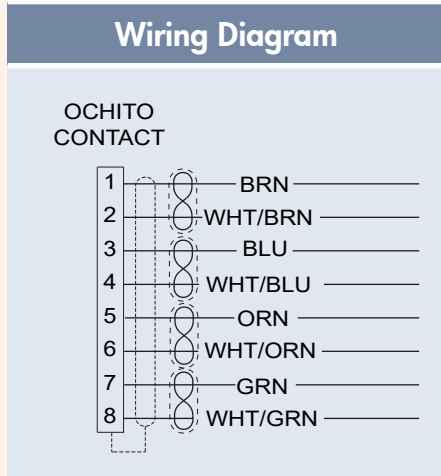
Save assembly time and cost with pre-wired, 100% tested El Ochito® Red assemblies for datalinks up to 1Gbps. These single-ended cables have El Ochito® Red contacts terminated to high performance flight-grade 100 ohm shielded twisted pair cable. Supplied with cable sealing boot. Compatible with Glenair Series 23, Series 80, Series 28, Series 792, Series 806 and ARINC 600 connectors. Designed to meet the requirements of MIL-DTL-38999 and SAE AS39029. *El Ochito® contacts must be installed in keyed connectors before mating to prevent misalignment and contact damage.*



### Technical Data

- Refer to individual contact data sheets for construction details
- 100% tested for shorts, continuity and IR

- Operating temp.:** -65° to +125°C
- Impedance:** 100 ohms
- DWV:** 300 Vrms
- Current Rating:** 1.5 A
- IR:** 10 megohms min.
- Durability:** 500 mating cycles



### El Ochito® Red Single-Ended Cable Assemblies

Sample Part Number	8573-0001	-01	-36
Product	8573-0001 = Pre-wired El Ochito® contact, single-ended		
El Ochito® Contact P/N	See Table I		
Length	Length in Inches (12 inch minimum)		

### Table 1 Order Code

Connector Type	Order Code	Contact Part No.	Pin/Skt	Data Protocol	Cable
Series 23 Series 801 and 805 Series 28	01	858-030-02F	Pin	High Speed, up to 1 Gbps	963-033-26 26 AWG
	02	858-031-02F	Socket	High Speed, up to 1 Gbps	963-033-26 26 AWG
ARINC 600	03	858-039-01	Pin	High Speed, up to 1 Gbps	963-033-26 26 AWG
	04	858-037-01	Socket	High Speed, up to 1 Gbps	963-033-26 26 AWG
Series 792 and 806	05	858-049-01F	Pin	High Speed, up to 1 Gbps	963-033-26 26 AWG
	06	858-050-01F	Socket	High Speed, up to 1 Gbps	963-033-26 26 AWG