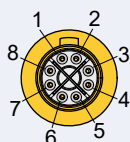


## El Ochito® White-to-RJ45 Cable Assemblies 8571-0003 Commercial Grade



El Ochito® White for 10GBASE-T Ethernet, pin contact mating face

### Contact Positions



Mating face of Pin



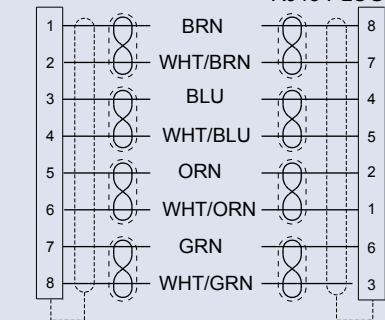
Mating face of Socket

### Technical Data

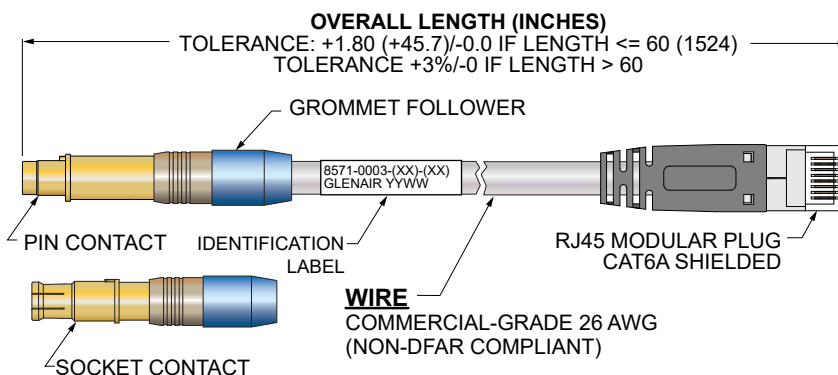
- Refer to individual contact data sheets for construction details
- 100% tested for shorts, continuity and IR
- Operating temp:** -10°C to +60°C
- Wire Size:** 26 AWG
- Impedance:** 100 ohms
- DWV:** 500 Vrms
- Current Rating:** 1.5 A
- IR:** 200 megohms min.
- Durability:** 500 mating cycles

### Wiring Diagram

#### WIRE COLOR ASSIGNMENTS



*El Ochito® White-to-RJ45. Commercial grade (8571-0003) Cat6A. Save assembly time and cost with pre-wired El Ochito® White assemblies. High quality commercial grade assemblies have foil shields on each wire pair. Compatible with Glenair Series 23 SuperNine, Series 28 HiPer-D, Series 792, Series 816, Series 806, and ARINC 600. El Ochito® contacts must be installed in keyed connectors before mating to prevent misalignment and contact damage.*



### El Ochito® -to-RJ45 Cable Assemblies, Commercial-grade Wire

Sample Part Number→	8571-0003	-01	-24
Product	8571-0003 = Cable Assy, El Ochito® to RJ45 Plug, Commercial Grade		
El Ochito® Contact Part Number	See Table 1		
Length	Length in Inches (12 inch minimum, 240 inches max)		

### Table 1 Order Code

Connector Type	Order Code	Contact Part No.	Type I Pin/Skt	Cable Type	Cable Part Number
Series 23 Series 28	01	858-003-01F	Pin	Commercial-grade, LSZH Jacket, -10° to +60°C	ZM6A-SXX-01
	02	858-004-01F	Socket		ZM6A-SXX-01
Series 792 Series 806 Series 816	03	858-045-01F	Pin	Commercial-grade, LSZH Jacket, -10° to +60°C	ZM6A-SXX-01
	04	858-046-01F	Socket		ZM6A-SXX-01
ARINC 600	05	858-009-01B	Pin	Commercial-grade, LSZH Jacket, -10° to +60°C	ZM6A-SXX-01
	06	858-010-01B	Socket		ZM6A-SXX-01