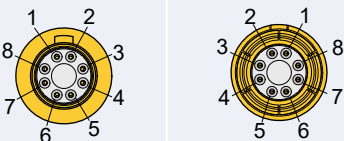


El Ochito® Type II White Pin-to-Socket Cat 8 Cable Assembly 8571-0041



El Ochito® White for 40GBASE-T Ethernet, pin contact mating face

Contact Positions



Mating face of Pin

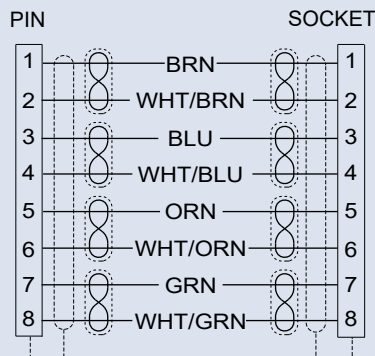
Mating face of Socket

Technical Data

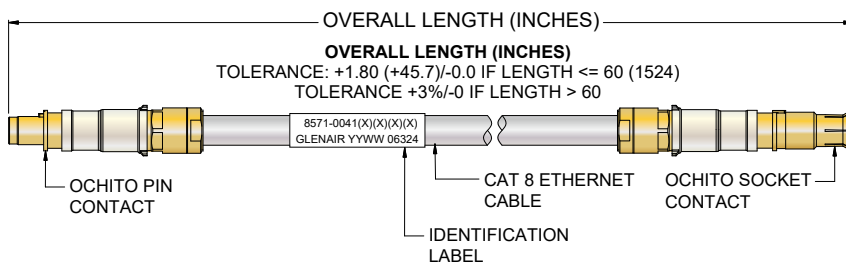
- Refer to individual contact and cable data sheets for construction details
- 100% tested for shorts, continuity and IR

- Connector Operating temp.:** -65° to +175°C
- Impedance:** 100 ohms
- DWV:** 500 Vrms
- Current Rating:** 1.5 A
- IR:** 200 megohms min.
- Durability:** 500 mating cycles

Wiring Diagram



Lower installed cost. 100% tested. Save assembly time and cost with pre-wired El Ochito® White assemblies. These pin-to-socket cables have El Ochito® White contacts terminated to Cat 8 aerospace-grade shielded cable. These pre-wired El Ochito® contacts snap into connector body without requiring an insertion tool. Compatible with Glenair Series 23, Series 28, Series 792, Series 816, Series 806, ARINC 600 and EPXB connectors. Designed to meet the requirements of MIL-DTL-38999, SAE AS39029. *El Ochito® contacts must be installed in keyed connectors before mating to prevent misalignment and contact damage.*



Cat 8 Pre-Wired El Ochito® Pin-Socket Assemblies

Sample Part Number	8571-0041	-A	A	-1	-24
Product	8571-0041 = Pre-wired El Ochito® contacts, Pin-to-Socket				
Pin Contact Code	See Table I				
Skt Contact Code	See Table II				
Cable Type	See Table III				
Length	Length in Inches (12 inch minimum)				

Table I: Pin Contact Code

Connector Series	Order Code	Ochito Contact
Series 23 Series 28	A	858-005
Series 792	B	858-043
Series 806 Series 816	C	858-051

Table II: Skt Contact Code

Connector Series	Order Code	Ochito Contact
Series 23 Series 28	A	858-006
Series 792	B	858-042
Series 806 Series 816	C	858-052

Table III: Cable Type

Order Code	Cable Part No.	Cable Description
1	963-132-26	Cat 8 S/FTP, EF100
2	963-132-24	Cat 8 S/FTP, EF100
3	963-135-26	Cat 8 S/FTP, FEP

EL OCHITO® JUMPERS