



181-050 M29504/16 Type Genderless GFOCA Fiber Optic Terminus



M29504/16 type genderless GFOCA fiber optic terminus



Part Number Development		
Part Number	Ø A (Microns)	Fiber Type (Typical)
181-050-1250C	125.0	SM
181-050-1255C	125.5	SM
181-050-1260C	126.0	SM and MM
181-050-1270C	127.0	MM
181-050-1420C	142.0	MM
181-050-2300C	230.0	MM

SM: Singlemode • MM: Multimode
Consult Factory for Additional Sizes

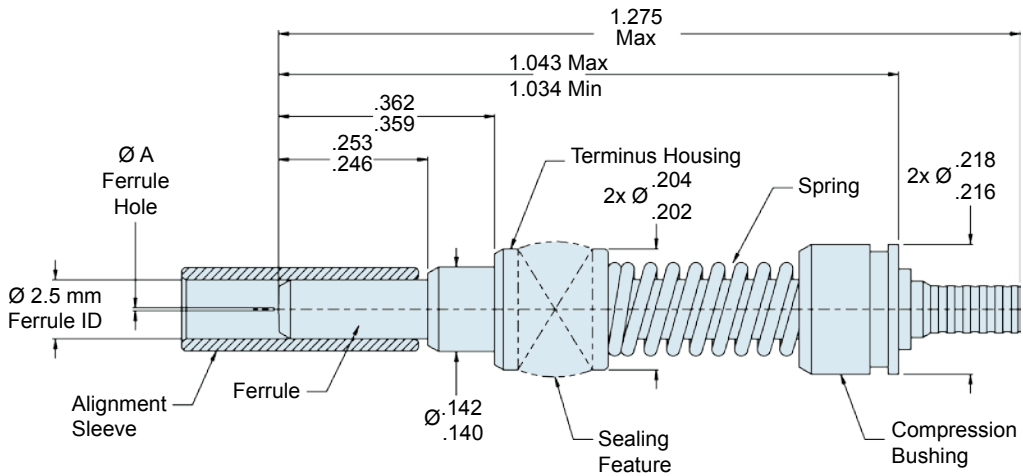


Table II: Terminus Accessories	
Part Number	Description
181-050-S	Alignment Sleeve Split, Ceramic
265-008	Crimp Sleeve

Material and Finish

- Ferrule: Zirconia Ceramic
- Terminus Housing: Stainless Steel/Passivate
- Spring: Stainless Steel/Passivate
- Compression Bushing: Stainless Steel/Passivate
- Crimp Sleeve: Brass Alloy/Nickel (not shown)
- Seal(s): Elastomeric Rubber

Notes

- Terminus is designed to meet the general requirements of MIL-PRF-29504/16 (Draft)
- Alignment Sleeve (not supplied with Terminus) may be ordered separately (See table II)
- Crimp sleeve is supplied with terminus assembly, and may be ordered separately (See table II). For terminus less crimp sleeve, omit C from dash number