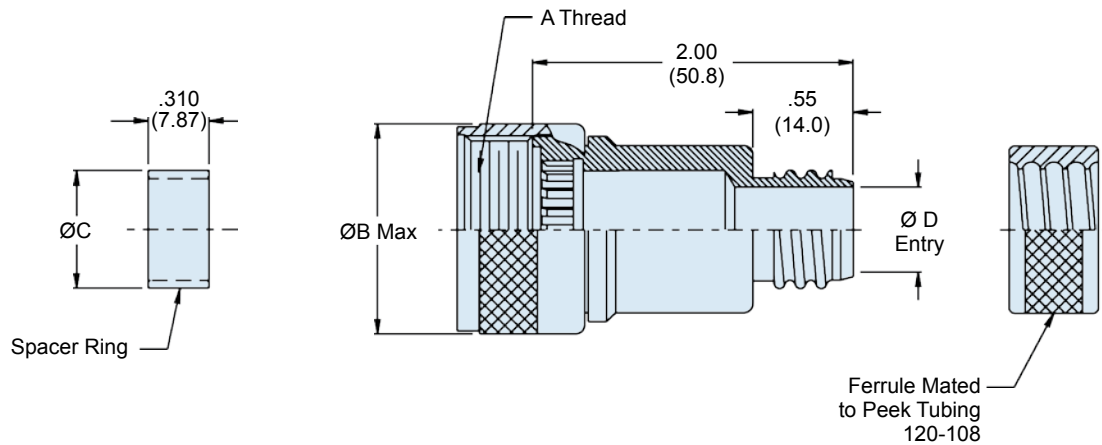
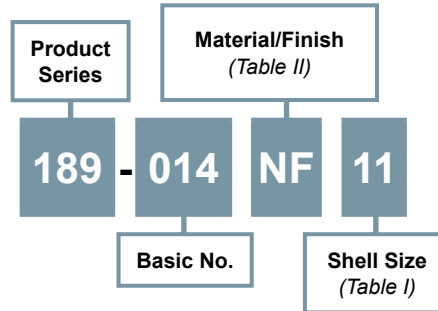


MIL-PRF-28876 backshell
How To Order

Material and Finish

Adapter, Coupling Nut, Ferrule, and Spacer Ring: See Table II

Notes

Spacer Ring is packaged loose and must be installed with Connector at time of assembly to retain Terminus Insert.

For 45° or 90° Backshell option, see Glenair drawing 189-021.

189-014
Backshell for PEEK Convolute Tubing
to be used with MIL-PRF-28876 Fiber Optic Connectors



Table I: Shell Size Dash Number							
Shell Size	Designator (Ref)	A Thread Class 2B	ØB Max	ØC Max	Ø D Entry	"Peek" Conduit Size	
						Frac. Size	Dash No.
11	A	3/4-20 UNEF	.960 (24.4)	.410 (10.4)	.390 (9.91)	1/2	16
13	B	7/8-20 UNEF	1.09 (27.7)	.532 (13.5)	.390 (9.91)	1/2	16
15	C	1-20 UNEF	1.26 (32.0)	.710 (18.0)	.390 (9.91)	1/2	16
23	F	1 7/16-18 UNEF	1.70 (43.2)	1.12 (28.4)	.890 (22.6)	1	32

Table II: Material and Finish		
Code	Material	Finish Description
M	Aluminum Alloy	Electroless Nickel
NF		Cadmium/Olive Drab over Electroless Nickel (500 Hour Salt Spray)
Z1	Stainless Steel	Passivate

Refer to Appendix for material/finish details

