



180-134

**Fiber Optic Test Adapter, Plug and Receptacle
For NGCON (M64266 Style) Fiber Optic Connectors**

NGCON test adapter, plug and receptacle

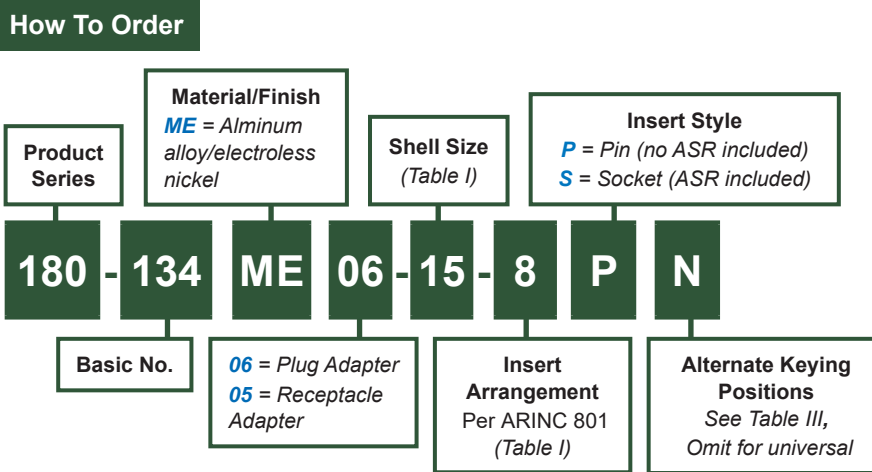


TABLE II: DIMENSIONS

SHELL SIZE	THREAD A .1P-.2L-DS	øB	øC
11	.750	1.01 (25.65)	0.74 (18.80)
13	.875	1.14 (28.96)	0.87 (22.10)
15	1.062	1.26 (32.00)	1.05 (26.67)
23	1.500	1.70 (43.18)	1.49 (37.85)

TABLE III: KEY POLARIZATION

P°	SHELL SIZE 11	SHELL SIZE 13, 15 & 23
1	55°	30°
2	80°	55°
3	105°	80°
4	130°	105°
5	230°	130°
6	255°	155°
7	280°	205°
8	305°	230°
9	-	255°
A	-	280°
B	-	305°
C	-	330°

Notes

- Connector adapters designed for use with Glenair 180-118 series MIL-PRF-64266 (NGCON) style connectors
- Alignment sleeve retainer (ASR) is supplied standard with receptacle connector. To order separately, use Glenair P/N 180-118ASR
- Plug Adapter Universal key polarization only contains the the primary and secondary master keys (no polarization keys). Receptacle adapter universal keyway polarization contains all polarizations (1 thru 9, A, B and C)
- For fiber optic test probe cable, see glenair drawings:
 - FA00861 = non-keyed probe (181-061), PC polish
 - FO04309 = keyed probe (181-062), APC polish

Material and Finish

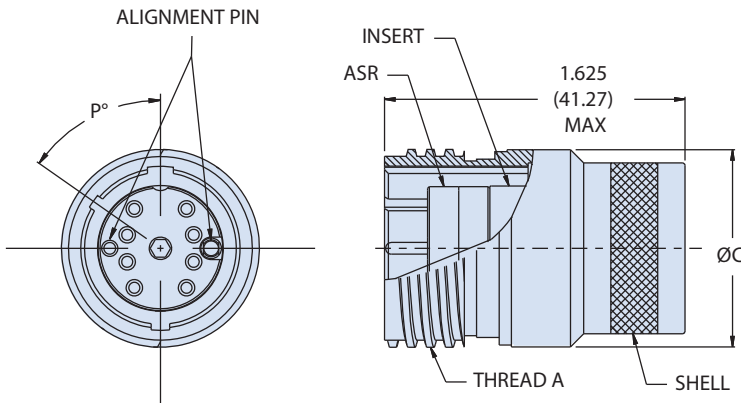
- Barrel, shell, coupling nut: aluminum alloy/electroless nickel
- Insert: aluminum/anodize
- Alignment sleeve (not shown): zirconia ceramic
- Contact retention clip (not show): spring alloy
- Alignment sleeve retiner (ASR): aluminum alloy/anodize
- Insert retainer (not shown): aluminum alloy/anodize
- Miscellaneous hardware: stainless steel/passivate

180-134

Fiber Optic Test Adapter, Plug and Receptacle
For NGCON (M64266 Style) Fiber Optic Connectors

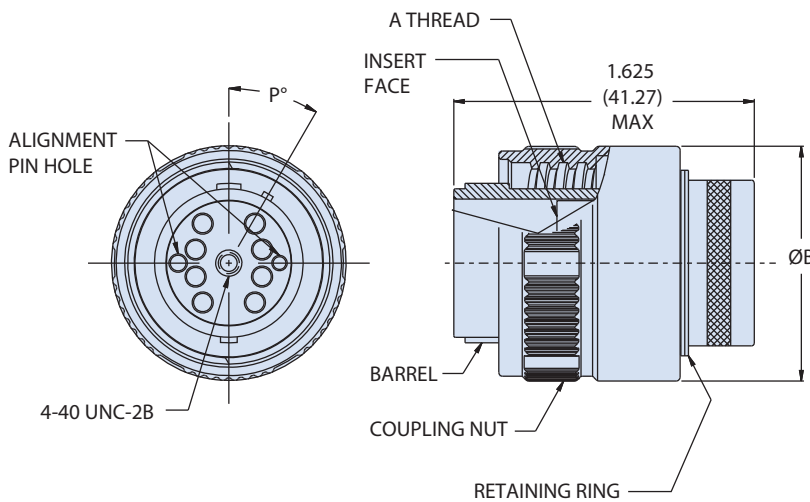


Test Probes
and Kits



05 - RECEPTACLE

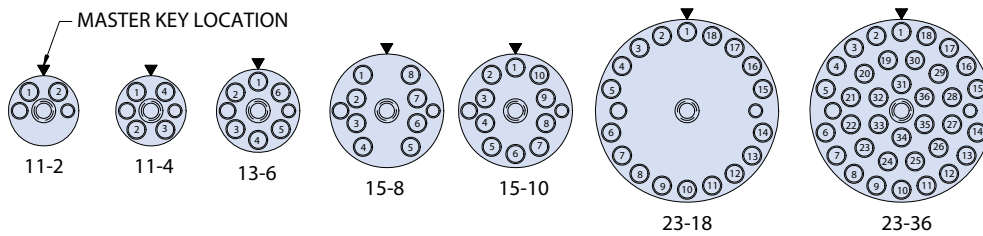
STANDARD CONFIGURATION
INCLUDES ASR
SEE TABLE II



06 - PLUG

SEE TABLE II

07 Receptacle and 06 Plug Adapter
U.S. PATENT NO. 5,960,137



INSERT ARRANGEMENTS

FRONT PLUG FACE SHOWN

