



**180-071 (-3) Wall Mount Receptacle
Single Channel Fiber Optic Connector
Environmental Resistant
for Glenair 181-002 Rear Release Pin Termini**

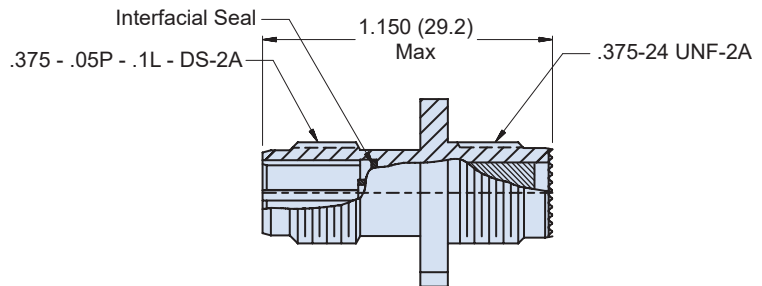
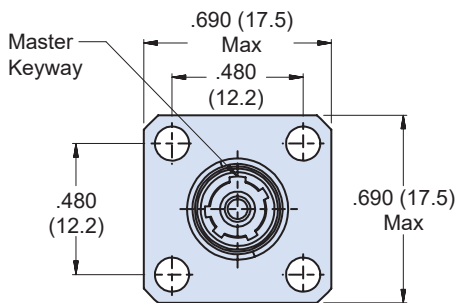
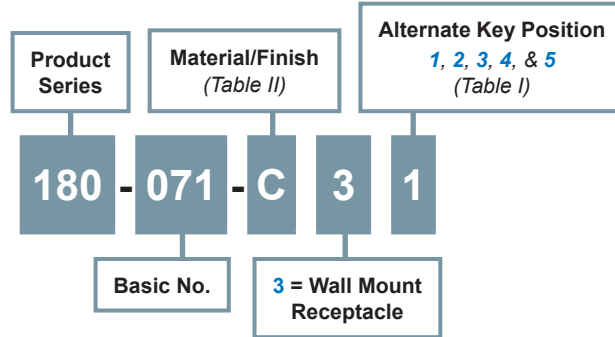
D38999
Series III

B

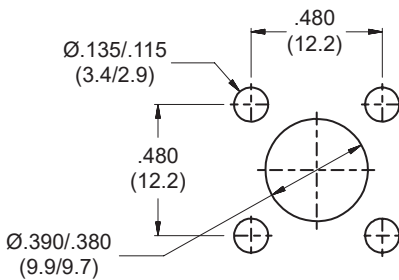
Single channel fiber optic square flange wall mount receptacle connector



How To Order



-3 Wall Mount Receptacle Assembly



**RECOMMENDED
PANEL CUT
WALL MOUNT
RECEPTACLE**

Material and Finish

Shell: See Table II.
Interfacial Seal, Rear Grommet: Fluorosilicone.
Retention Clip: Copper Alloy

Notes

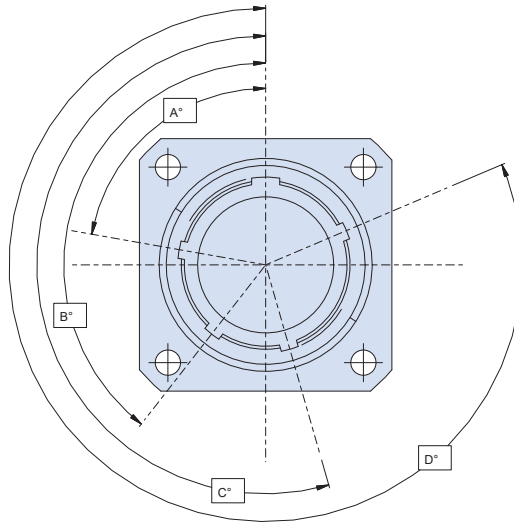
Operating Temperature Range: -55°C to +125°C.
See Glenair drawing 181-002 for fiber optic pin terminus.

**180-071 (-3) Wall Mount Receptacle
Single Channel Fiber Optic Connector
Environmental Resistant
for Glenair 181-002 Rear Release Pin Termini**



MIL-DTL-38999
Series III Type

B



As Viewed from Front of Connector

Table I: Keyway Polarizations				
Pos	A°	B°	C°	D°
1	95	141	208	300
2	80	141	208	300
3	95	141	223	300
4	80	141	223	300
5	95	141	208	275

Table II: Material and Finish		
Code	Material	Finish
C	Aluminum Alloy	Anodize, Black
M		Electroless Nickel
NF		Cadmium, Olive Drab, over Electroless Nickel
ZN		Zinc-Nickel, Olive Drab, over Electroless Nickel
ZI	Stainless Steel	Passivate

Refer to Appendix for material/finish details