



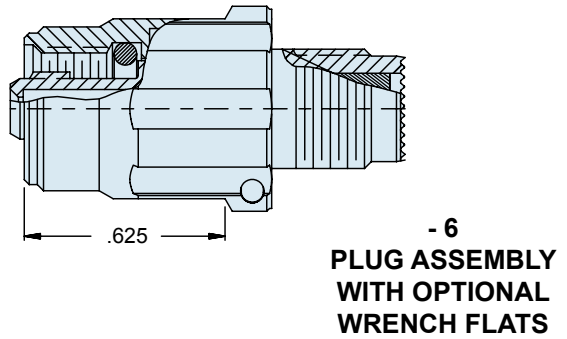
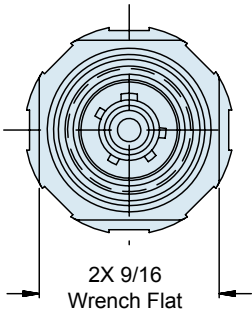
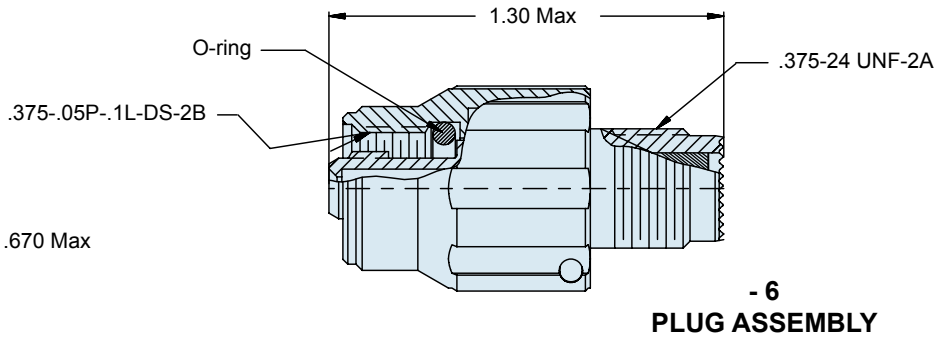
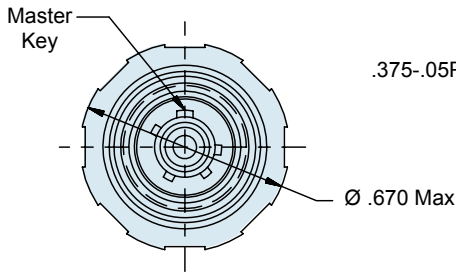
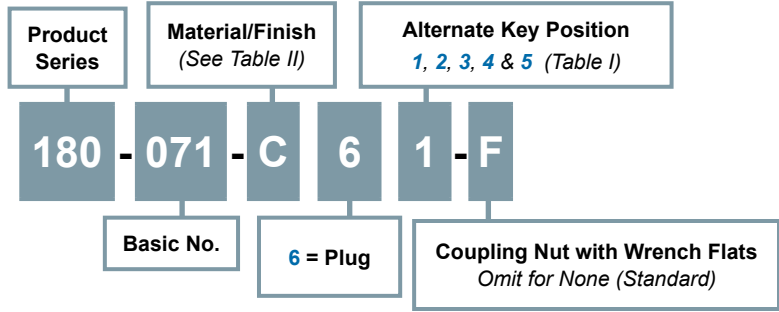
180-071 (-6) Plug
Single Channel Fiber Optic Connector
 Environmental Resistant
 for Glenair 181-001 Rear Release Socket Termini

Single channel fiber optic plug connector

B



How To Order



Material and Finish

Barrel, Coupling Nut: See Table II
 O-Ring, Rear Grommet: Fluorosilicone
 Retention Clip: Copper Alloy

Notes

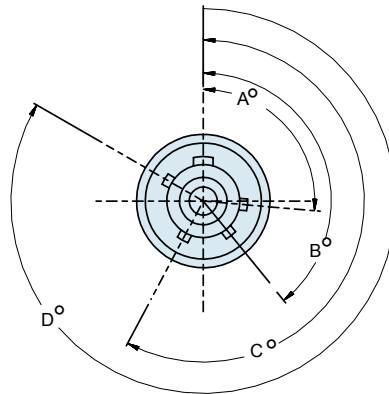
Operating temperature range -55°C to +125°C.
 See Glenair drawing 181-001 for fiber optic socket terminus.

180-071 (-6) Plug
Single Channel Fiber Optic Connector
Environmental Resistant
for Glenair 181-001 Rear Release Socket Termini



MIL-DTL-38999
 Series III Type

B



As Viewed from Front of Plug Connector
See Table I

Table I: Key Polarizations				
Pos	A°	B°	C°	D°
1	95	141	208	300
2	80	141	208	300
3	95	141	223	300
4	80	141	223	300
5	95	141	208	275

Table II: Material and Finish		
Code	Material	Finish
C	Aluminum Alloy	Anodize, Black
M		Electroless Nickel
NF		Cadmium, Olive Drab, over Electroless Nickel
ZN		Zinc-Nickel, Olive Drab, over Electroless Nickel
ZI	Stainless Steel	Passivate

Refer to Appendix for material/finish details