

181-035  
Large Core Optical Fiber Socket Terminus  
MIL-DTL-38999 Series III Type



MIL-DTL-38999  
Series III Type

D38999  
Series III

B

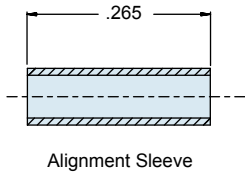
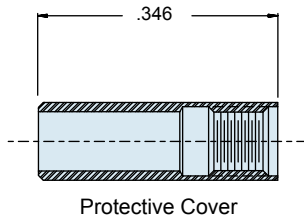
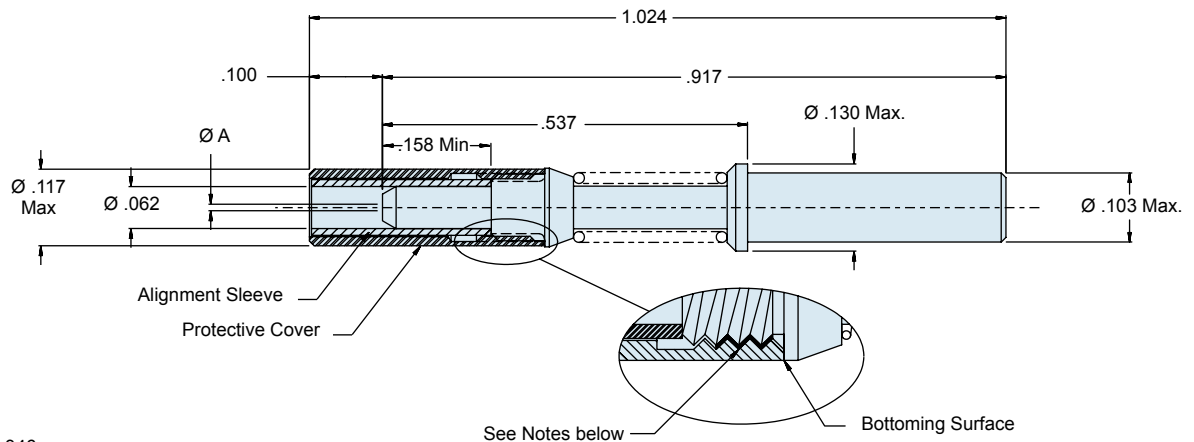
Large core fiber optic MIL-DTL-38999 type size 16 socket terminus



Part Number	Fiber Size Core/Cladding (Microns)	ØA (Microns)
181-035-600	600 Micron	610.0
181-035-1000	1000 Micron (Plastic)	1117.0

Ceramic alignment sleeve supplied with terminus. Add **K** to the end of part number development to supply with optional stainless steel alignment sleeve e.g. 181-035-1000K.

Accessories	
Part Number	Terminus Accessory
181-001-S	Ceramic Alignment Sleeve
181-001-K	Stainless Steel Alignment Sleeve
181-001-C	Protective Cover



**Material and Finish**

Ferrule: Stainless Steel/Passivate  
Alignment Sleeve: Zirconia Ceramic or Stainless Steel/Passivate  
Terminus Assembly: Stainless Steel/Passivate  
Spacer, Spring, and Cover: Stainless Steel/Passivate

**Notes**

Alignment sleeve and protective cover can also be ordered separately (see Accessories table)  
Threaded Protective cover must be retained using Threadlocker "Loctite 222" prior to insertion and fully seated against terminus body as shown.  
Contact Glenair for termination/assembly procedures.  
Recommended Insertion/Extraction Tool: P/N M81969/14-03 or equivalent