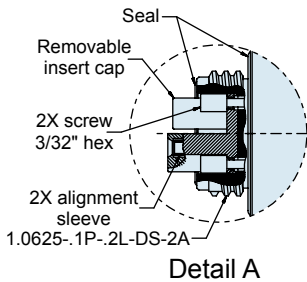
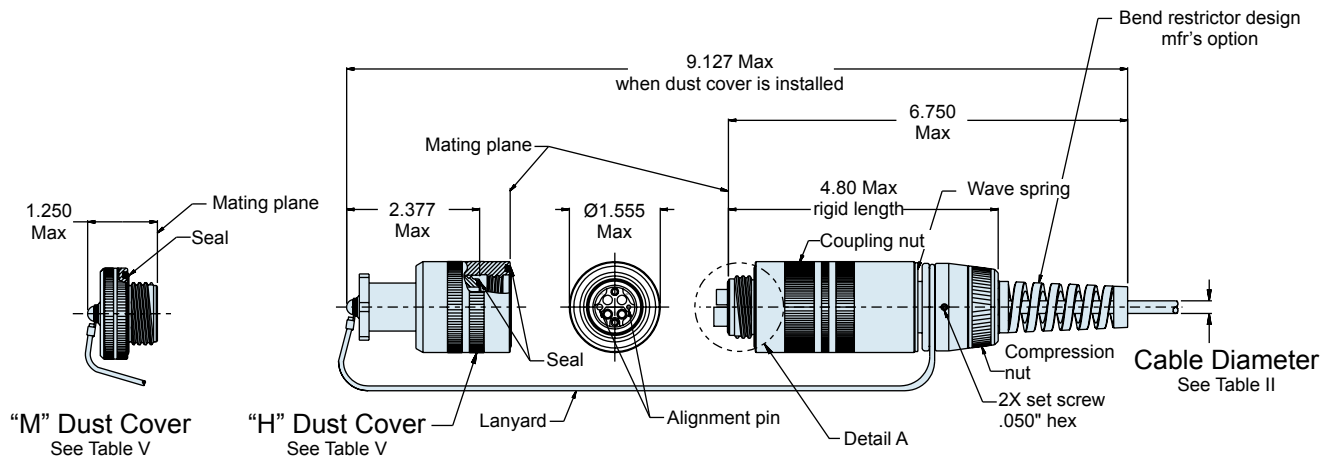
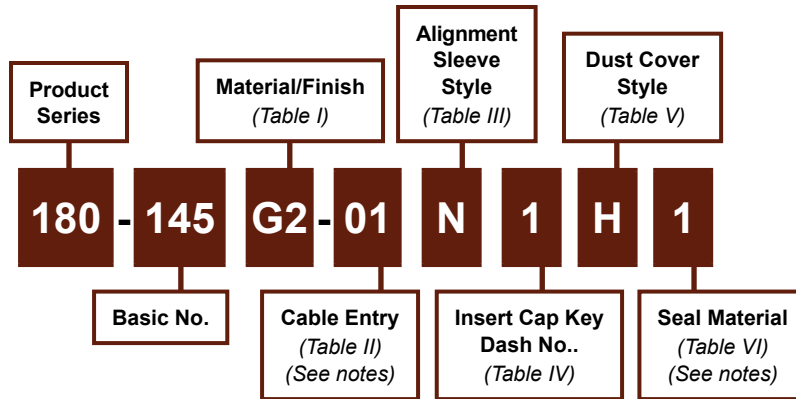


180-145
GFOCA Hermaphroditic Plug Connector
MIL-DTL-83526/16 Type, 4 Channel



MIL-DTL-83526/16 type plug-to-plug hermaphroditic GFOCA connector, 4 channel

How To Order



Material and Finish

External hardware: See Table I
 Internal hardware: Al alloy/anodize
 Misc. hardware: Stainless steel/passivate
 Lanyard: Stainless steel/coated
 Strain relief wedge: Copper alloy/nickel
 Seals: See Table VI

Notes

Connector assembly is designed IAW the interface requirements of MIL-DTL-83526/16 (Draft). Standard configuration is shown in sample part number.

180-145
GFOCA Hermaphroditic Plug Connector
MIL-DTL-83526/16 Type, 4 Channel



| Table I: Material/Finish | | |
|--------------------------|----------------|-------------------------|
| Code | Material | Finish Description |
| G2 | Aluminum alloy | Hard anodize, gray |
| ZN | | Zinc-nickel, olive drab |
| ZR | | Zinc-nickel, black |

Refer to Appendix for material/finish details

| Table II: Cable Diameter | | |
|--------------------------|----------------|-----------|
| Dash No. | Cable Diameter | |
| | Inch | mm |
| 01 | .190-.315 | 4.83-8.00 |
| 02 | .316-.379 | 8.03-9.63 |

| Table III: Alignment Sleeve Style | |
|--|-------|
| Code | Style |
| N | None |
| Consult factory for additional options | |

| Table IV: Insert Cap Key Configurations | | | | |
|---|---|---|---|---|
| Dash No: | 1 | 2 | 3 | 4 |
| Config. | <p style="text-align: center;">Key 1</p> | <p style="text-align: center;">Key 2</p> | <p style="text-align: center;">Key 3</p> | <p style="text-align: center;">Key U (universal)</p> |

| Table V: Dust Cover Style | |
|---------------------------|----------------|
| Code | Style |
| M | Male |
| H | Hermaphroditic |
| N | None |

| Table VI: Seal Material | |
|-------------------------|---|
| Dash No. | Seal material(s) |
| 1 | Primary seals: Fluorosilicone & Nitrile Secondary seals: Fluorosilicone, Urethane, & Nitrile |
| 2 | EPDM |