

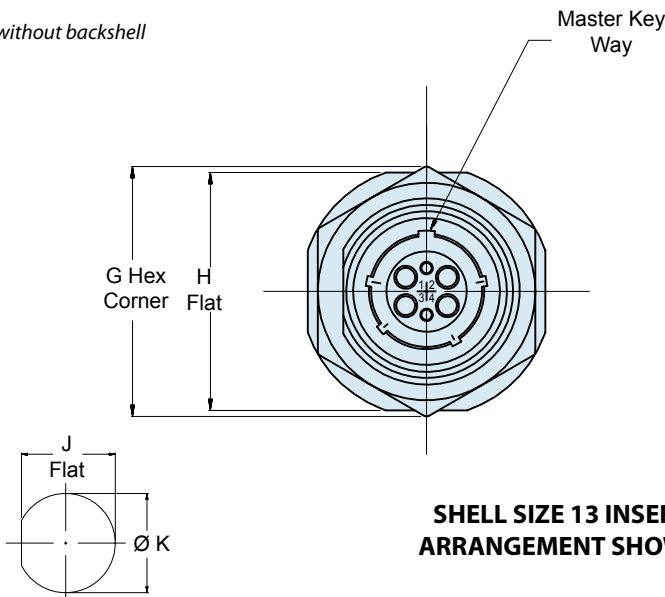
M28876

MIL-PRF-28876 QPL jam nut receptacle connector

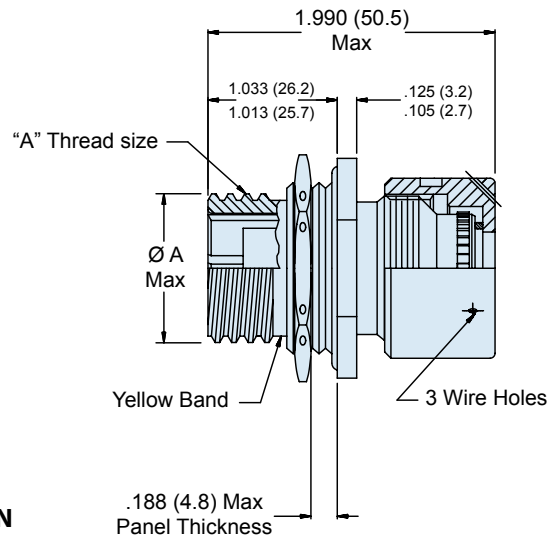


Table I							
Shell Size	G Max	H ± .010 (0.3)	J ± .005 (0.1)	Ø K ± .005 (0.1)	Ø C Max	Ø L Max	Ø A Max
11	1.290 (32.8)	1.262 (32.1)	.848 (21.5)	.885 (22.5)	.960 (24.4)	.960 (24.4)	.750 (19.1)
13	1.435 (35.9)	1.387 (35.2)	.937 (24.7)	1.010 (25.7)	1.085 (27.6)	1.085 (27.6)	.875 (22.2)
15	1.650 (41.9)	1.575 (40.0)	1.160 (29.5)	1.198 (30.4)	1.255 (31.9)	1.255 (31.9)	1.062 (27.0)
23	2.093 (53.2)	2.014 (51.2)	1.598 (40.6)	1.635 (41.5)	1.695 (43.1)	1.763 (44.8)	1.500 (38.1)

Receptacle without backshell

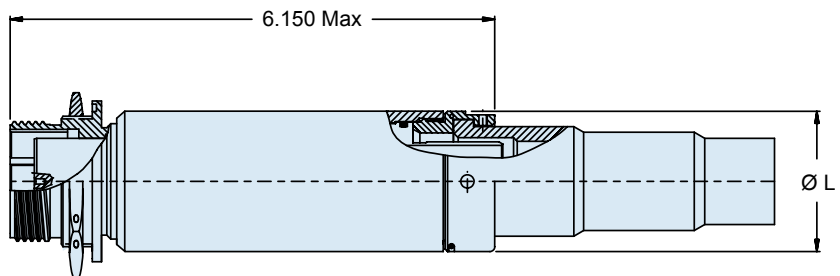


Recommended Panel Cutout
(Jam Nut Mounting)
As Viewed from Face of Panel



**04 - JAM NUT MOUNT RECEPTACLE
WITHOUT BACKSHELL
M28876/11 • 180-040 (-04)**

Table II: Dimension Panel Cutout, Jam Nut Mount Receptacles		
Shell Size	Ø X ± .005 (0.13)	Y ± .005 (0.13)
11	.885 (22.5)	.848 (21.5)
13	1.010 (25.7)	.973 (24.7)
15	1.198 (30.4)	1.160 (29.5)
23	1.630 (41.4)	1.593 (40.5)

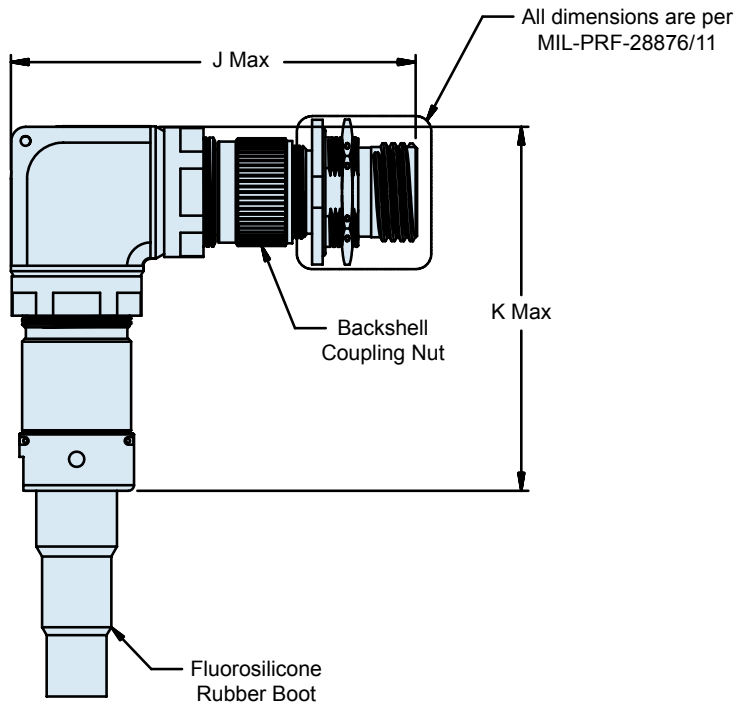


**M28876/12 • 180-040 (-14) JAM NUT MOUNT RECEPTACLE
WITH STRAIGHT BACKSHELL**

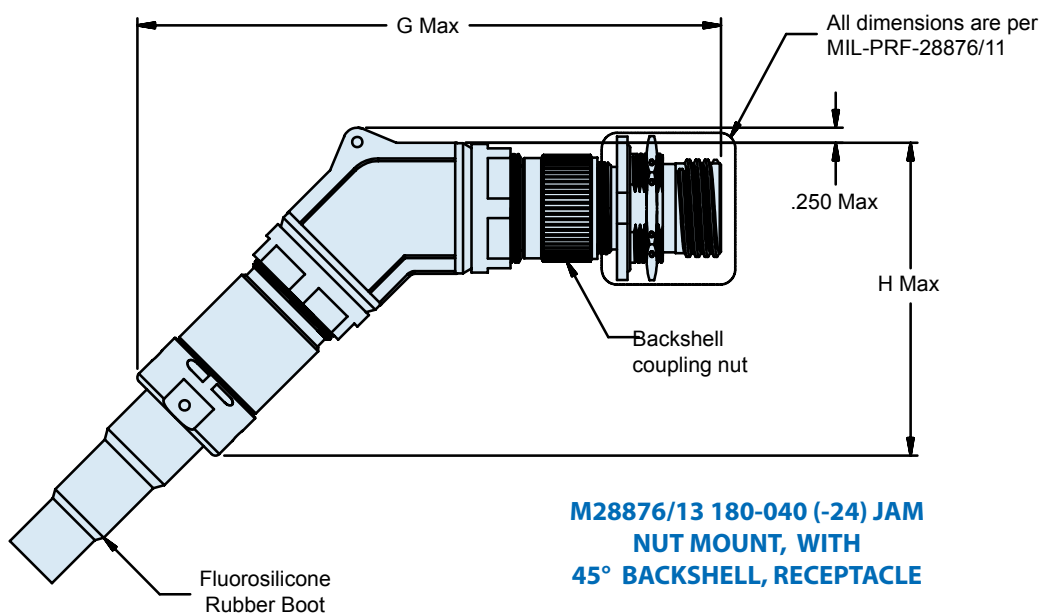
180-040 (-04, -14, -24, -34)
MIL-PRF-28876 Jam Nut Mount Receptacle Connector
 for use with MIL-PRF-29504/14 and /15 Termini



MIL-PRF-28876
 Connectors



M28876/14 180-040 (-34) JAM NUT MOUNT, WITH 90° BACKSHELL, RECEPTACLE



M28876/13 180-040 (-24) JAM NUT MOUNT, WITH 45° BACKSHELL, RECEPTACLE

J