

M29504/3  
181-051  
Size 16 Dummy Terminus  
for MIL-PRF-28876 Connectors

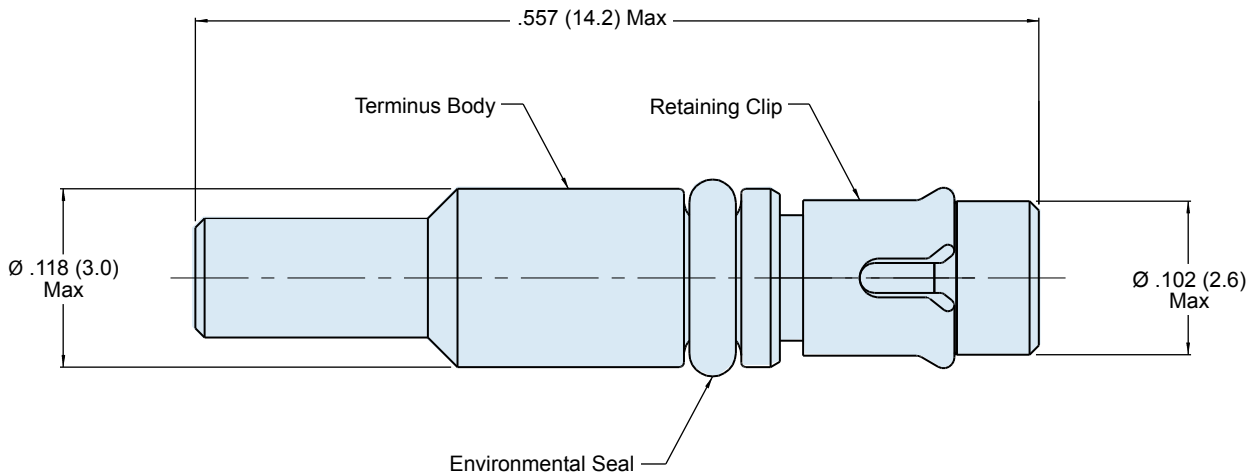


**Size 16 M29504/3 fiber optic dummy terminus for MIL-PRF-28876 connectors**



Table I: Part Number	
Mil-Spec Part Number	Commercial Part Number
M29504/3-4038	181-051

Table II: Tools and Accessories	
Part Number	Description
182-013	Insertion Tool, Straight
182-014	Insertion Tool, 90°
182-015	Removal Tool



**Material and Finish**

Terminus Body: Stainless Steel/Passivate  
Retaining Clip: Spring Alloy  
Seal: Fluorosilicone

**Notes**

See Glenair GAP-036 for assembly tools and procedures.

