



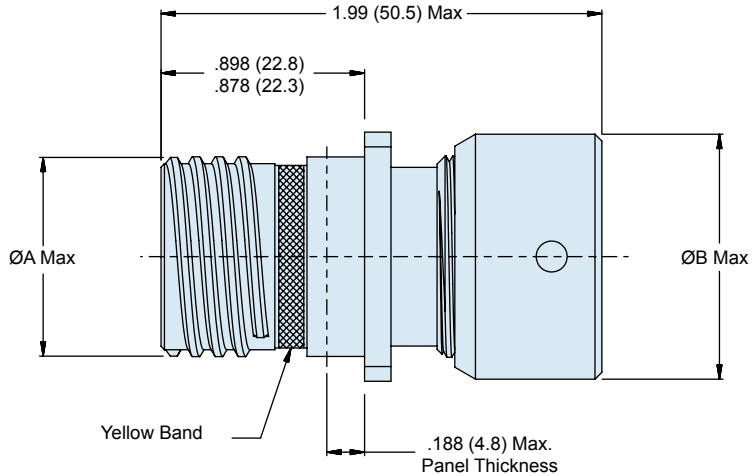
M28876 (/1, /2, /3, /4)
180-040 (-03, -13, -23, -33)
MIL-PRF-28876 Wall Mount Receptacle Connector
for use with MIL-PRF-29504/14 and /15 Termini



MIL-PRF-28876 QPL wall mount receptacle connector

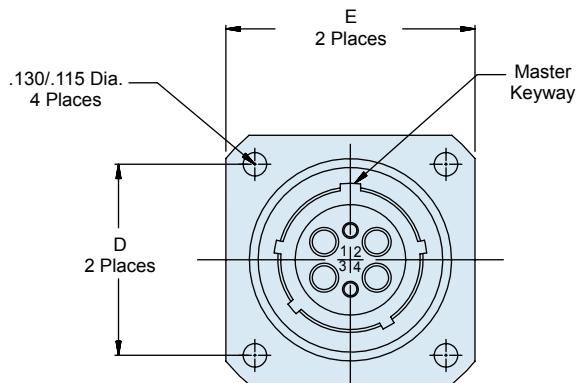


Receptacle without backshell

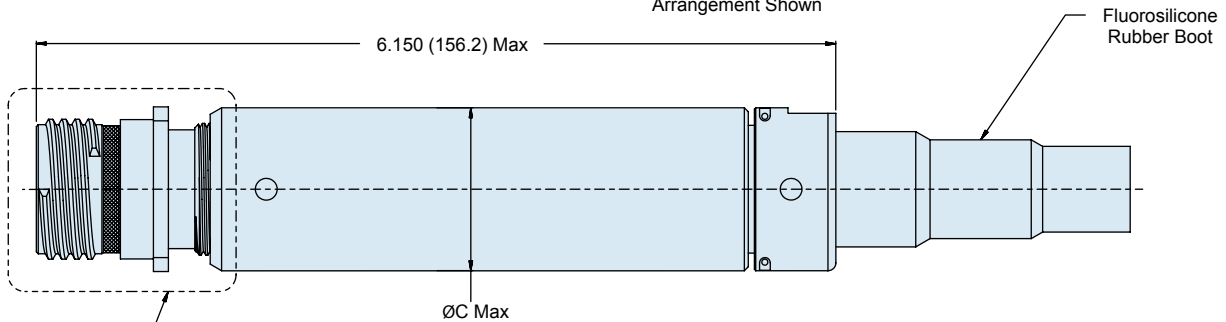


Receptacle with straight backshell

**M28876/1 • 180-040(-03)
WALL MOUNT RECEPTACLE WITHOUT**



Shell Size 13 Insert
Arrangement Shown



All Dimensions
Per M28876/1

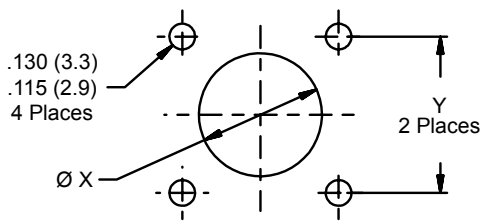
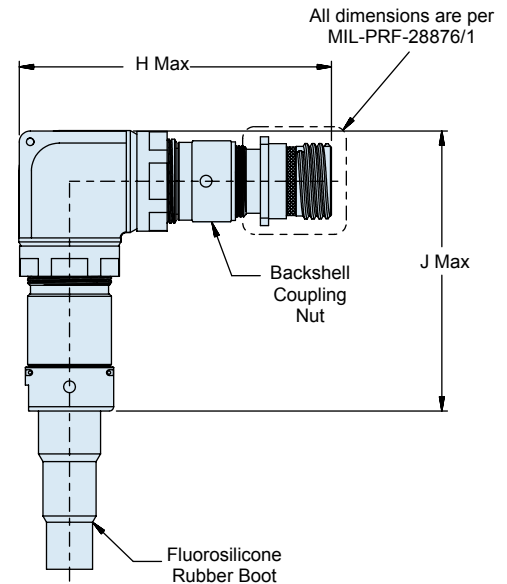
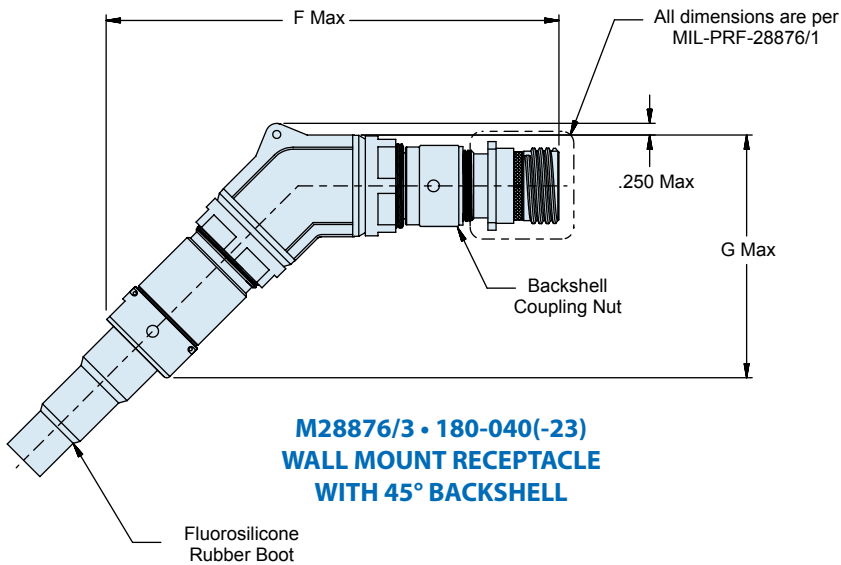
**M28876/2 • 180-040(-13)
WALL MOUNT RECEPTACLE WITH
STRAIGHT BACKSHELL**

J

M28876 (/1, /2, /3, /4)
 180-040 (-03, -13, -23, -33)
 MIL-PRF-28876 Wall Mount Receptacle Connector
 for use with MIL-PRF-29504/14 and /15 Termini



Shell Size	ØA Max	ØB Max	ØC Max	D	E ±.020	F Max.	G Max.	H Max.	J Max.
11	0.750 (19.1)	0.960 (24.4)	0.960 (24.4)	0.750 (19.1)	1.022 (26.0)	6.150 (156.2)	3.540 (89.9)	4.250 (108.0)	4.250 (108.0)
13	0.875 (22.2)	1.085 (27.6)	1.085 (27.6)	0.843 (21.4)	1.137 (28.9)	6.220 (158.0)	3.580 (90.9)	4.250 (108.0)	4.250 (108.0)
15	1.062 (27.0)	1.255 (31.9)	1.257 (31.9)	0.968 (24.6)	1.257 (31.9)	6.500 (165.1)	3.850 (97.8)	4.500 (114.3)	4.500 (114.3)
23	1.500 (38.1)	1.695 (43.1)	1.763 (44.8)	1.281 (32.5)	1.718 (43.6)	7.500 (190.5)	5.000 (127.0)	5.000 (127.0)	5.000 (127.0)



Recommended Panel Cutout
(Wall Mounting)

Shell Size	Ø X ± .005 (0.13)	Y ± .005 (0.13)
11	.812 (20.6)	.750 (19.1)
13	.937 (23.8)	.843 (21.4)
15	1.124 (28.6)	.968 (24.6)
23	1.562 (39.7)	1.281 (32.5)

