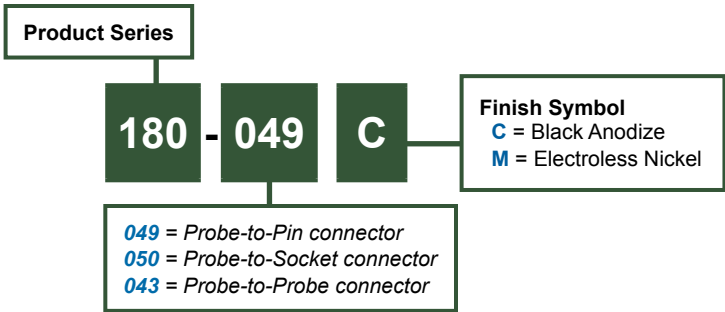


180-049 • 180-050 • 180-043  
 Replacement Calibration Adapters  
 for M29504/04 or /05 Termini

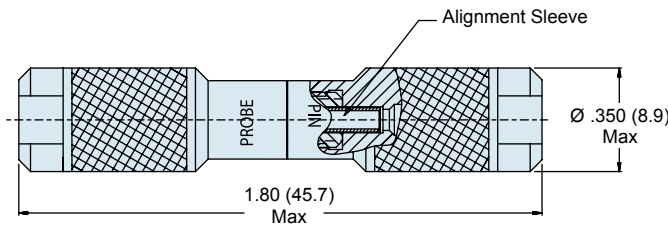


**Feedthrough probe connectors for MIL-DTL-38999 (MIL-PRF-29504/4 and /5 termini) fiber optic connection system**

U.S. PATENT 5,960,137

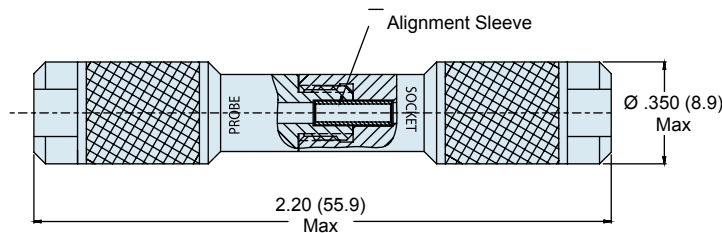


**-049 Probe-to-Pin Connector**



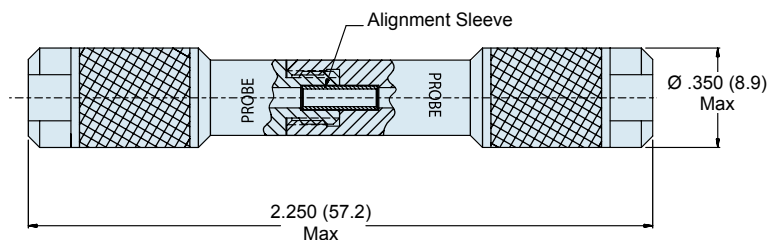
Pin Side Accepts  
181-002 and M29504/04  
Termini

**-050 Probe-to-Socket Connector**



Socket Side Accepts  
181-001 and M29504/05  
Termini

**-043 Probe-to-Probe Connector**



**Material and Finish**

Housing: Aluminum Alloy/see Part Number Development  
 Alignment Sleeve: Zirconia Ceramic  
 Retaining Clips: Copper Alloy