

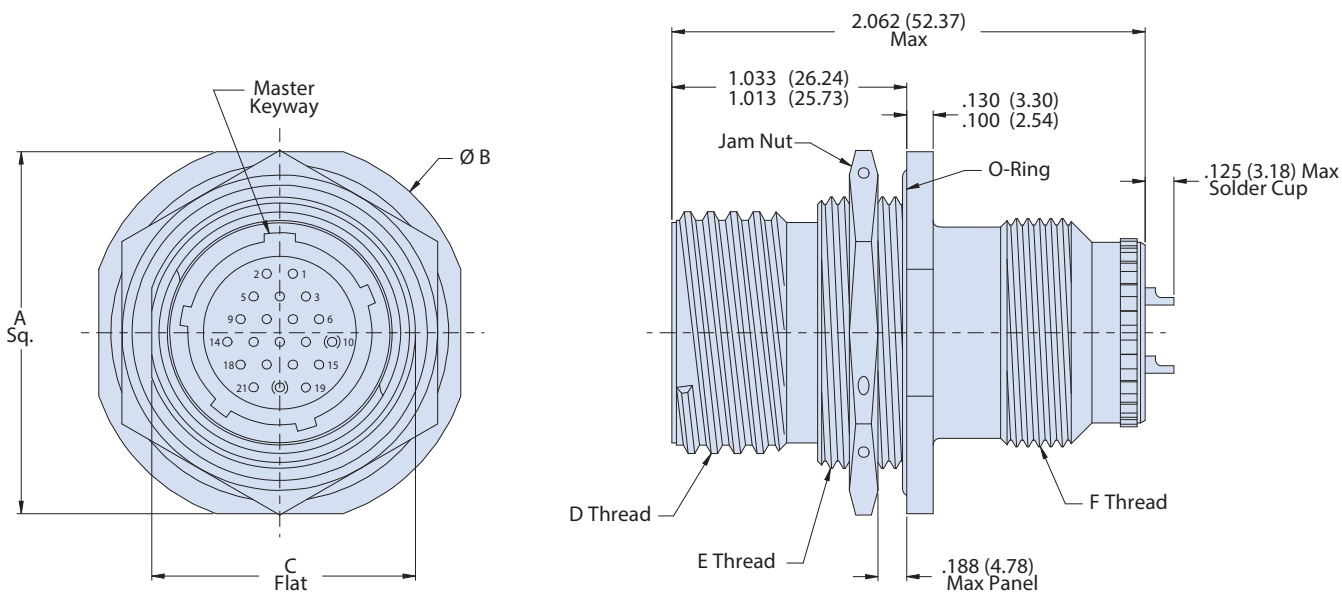


240-288J MIL-DTL-28840 Type Filter Connector Jam Nut Receptacle

B

MIL-DTL-28840 TYPE JAM NUT RECEPTACLE

How To Order									
Sample Part Number	240-288	J	ME	19-1	P	P	A	N	1
Filter Connector	MIL-DTL-28840 Type								
Shell Style	J = Jam Nut								
Connector Class	See Table I								
Insert Arrangement	IAW MIL-STD-1698. (See page B-107)								
Contact Gender	P = Pin/22 GA Solder Cup F = Pin/20 GA Solder Cup D = Pin/28 GA Solder Cup			S = Socket/22 GA Solder Cup G = Socket/20 GA Solder Cup E = Socket/28 GA Solder Cup					
Filter Type	P = Pi Circuit C = C Circuit (See Note 1)								
Capacitance	See Table II								
Flange Mounting Style	N = Not Applicable								
Alternate Key Position	1, 2, 3, 4, 5, 6 (See page B-107)								



Notes

1. Other filter styles (C-L, L-C, Unbalanced Pi, Multi-Stage, Multi-Value) are available, please consult the factory.

Dimensions in inches (millimeters) and are subject to change without notice.

240-288J
MIL-DTL-28840 Type Filter Connector
Jam Nut Receptacle



MIL-DTL-28840
Type

B

Table I: Connector Class

Sym	Class	Material	Finish Description
ME	Environmental	Aluminum	Electroless Nickel
MT	Environmental	Aluminum	Ni-PTFE 1000 Hour Grey™ Nickel Fluorocarbon Polymer
NF	Environmental	Aluminum	Cadmium O.D. Over Electroless Nickel
ZL	Environmental	Stainless Steel	Electro-Deposited Nickel
ZN	Environmental	Aluminum	Zinc-Nickel, Olive Drab
ZR	Environmental	Aluminum	Zinc Nickel, Black - RoHS
H2*	Hermetic	Stainless Steel	Electro-Deposited Nickel

*Some dimensions do not apply. See drawing 240-288JH2

Table II: Capacitor Array Code Capacitance Range

Class	Pi - Circuit (pF)	C - Circuit (pF)
X*	160,000 - 240,000	80,000 - 120,000
Y*	80,000 - 120,000	40,000 - 60,000
Z*	60,000 - 90,000	30,000 - 45,000
A	38,000 - 56,000	19,000 - 28,000
B	32,000 - 45,000	16,000 - 22,500
C	18,000 - 33,000	9,000 - 16,500
D	8,000 - 12,000	4,000 - 6,000
E	3,300 - 5,000	1,650 - 2,500
F	800 - 1,300	400 - 650
G	400 - 600	200 - 300
J	70-120	35-60

* Filter Classes X, Y and Z are 250 VDC.
 All others are 500 VDC

Table III: Dimensions

Shell Size	A Sq.	Ø B	C Flat	D Thread Class 2A	E Thread Class 2A	F Thread Class 2A
11	1.274 (32.36)	1.368 (34.75)	.841 (21.36)	.750-.1P-.2L-DS	.8750-20 UNEF	.7500-20 UNEF
	1.254 (31.85)	1.348 (34.24)	.832 (21.13)			
13	1.399 (35.53)	1.508 (38.30)	.966 (24.54)	.875-.1P-.2L-DS	1.0000-20 UNEF	.8750-20 UNEF
	1.379 (35.03)	1.488 (37.80)	.957 (24.31)			
15	1.587 (40.31)	1.681 (42.70)	1.153 (29.29)	1.062-.1P-.2L-DS	1.1875-18 UNEF	1.0000-20 UNEF
	1.567 (39.80)	1.661 (42.19)	1.144 (29.06)			
17	1.649 (41.88)	1.743 (44.27)	1.216 (30.89)	1.125-.1P-.2L-DS	1.2500-18 UNEF	1.1250-18 UNEF
	1.629 (41.38)	1.723 (43.76)	1.207 (30.66)			
19	1.837 (46.66)	1.931 (49.05)	1.403 (35.64)	1.312-.1P-.2L-DS	1.4375-18 UNEF	1.2500-18 UNEF
	1.817 (46.15)	1.911 (48.54)	1.394 (35.41)			
23	2.024 (51.41)	2.118 (53.80)	1.591 (40.41)	1.500-.1P-.2L-DS	1.6250-18 UNEF	1.4375-18 UNEF
	2.004 (50.90)	2.098 (53.29)	1.582 (40.18)			
25	2.149 (54.58)	2.243 (56.97)	1.716 (43.59)	1.625-.1P-.2L-DS	1.7500-18 UNS	1.5625-18 UNEF
	2.129 (54.08)	2.223 (56.46)	1.707 (43.36)			
29	2.337 (59.36)	2.435 (61.85)	1.903 (48.34)	1.812-.1P-.2L-DS	1.9375-16 UN	1.8750-16 UN
	2.317 (58.85)	2.415 (61.34)	1.894 (48.11)			
33	2.524 (64.11)	2.618 (66.50)	2.091 (53.11)	2.000-.1P-.2L-DS	2.1250-16 UN	2.0625-16 UNS
	2.504 (63.60)	2.598 (65.99)	2.082 (52.88)			

Dimensions in inches (millimeters) and are subject to change without notice.