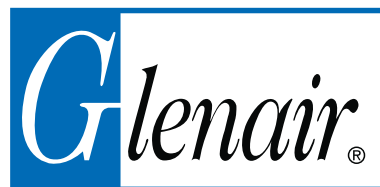


# MIL-DTL-38999 Series III Type Filter Connector with Threaded Coupling



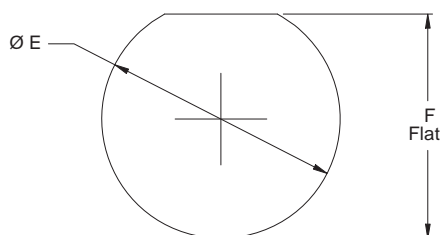
MIL-DTL-38999  
Type

B

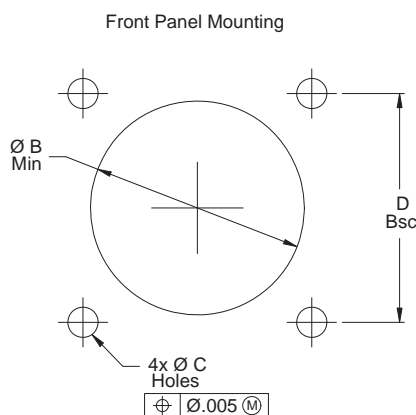
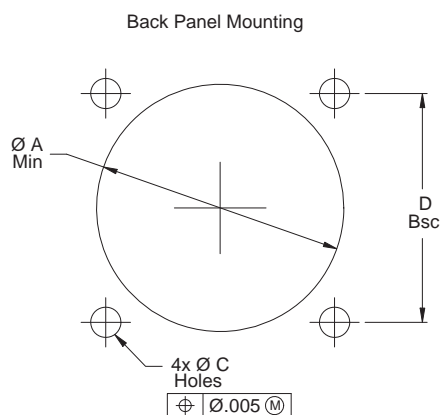
## Notes

1. Materials/Finishes: Shells, Barrel, Coupling Nut, Jam Nut - See Table I  
Insulators - High grade rigid dielectric/N.A.  
Seals - Fluorosilicone  
Contacts: Copper alloy 50μ" Gold over 50μ" Nickel
2. Assembly to be identified with Glenair's name, part number, and date code - space permitting.
3. Insert Arrangement in accordance with MIL-STD-1560. (Arrangement shown for reference only)
4. EMI Circular Filter Receptacle connectors designed to meet requirements of MIL-STD-2120 and MIL-DTL-38999, Series III.
5. All contacts to have identical filter value. Other filter arrangements available, contact factory.
6. Electrical Ratings: DWV- 500 VDC; Standard Operating Voltage 200 VDC (Filter class X, Y and Z are 250 VDC)
7. Insulation Resistance: 5000 MegOhms Min. at 200 VDC.
8. Operating Temperature: -55°C to +125°C (Env Class Connectors)
9. Other filter styles (C-L, L-C, Unbalanced Pi, Multi-Stage, Multi-Value) are available, please consult the factory.

Square Flange Panel Cut-Outs MIL-DTL-38999 Series III				
Shell Size	Ø A Min Back Panel	Ø B Min Front Panel	Ø C Holes	D Bsc
9	.656 (16.7)	.516 (13.1)	.133 (3.4) .123 (3.1)	.719 (18.3)
11	.796 (20.2)	.625 (15.9)		.812 (20.6)
13	.922 (23.4)	.750 (19.1)		.906 (23.0)
15	1.047 (26.6)	.906 (23.0)		.969 (24.6)
17	1.219 (31.0)	1.016 (25.8)		1.062 (27.0)
19	1.297 (32.9)	1.141 (29.0)		1.156 (29.4)
21	1.422 (36.1)	1.266 (32.2)		1.250 (31.8)
23	1.547 (39.3)	1.375 (34.9)	.159 (4.0) .149 (3.8)	1.375 (34.9)
25	1.672 (42.5)	1.484 (37.7)	.155 (3.9) .145 (3.7)	1.500 (38.1)



Jam Nut Panel Cut-Out MIL-DTL-38999 Series III		
Shell Size	Ø E	F Flat
9	.710 (18.0)	.670 (17.0)
	.700 (17.8)	.660 (16.8)
11	.835 (21.2)	.771 (19.6)
	.825 (21.0)	.761 (19.3)
13	1.020 (25.9)	.955 (24.3)
	1.010 (25.7)	.945 (24.0)
15	1.145 (29.1)	1.085 (27.6)
	1.135 (28.8)	1.075 (27.3)
17	1.270 (32.3)	1.210 (30.7)
	1.260 (32.0)	1.200 (30.5)
19	1.395 (35.4)	1.335 (33.9)
	1.385 (35.2)	1.325 (33.7)
21	1.520 (38.6)	1.460 (37.1)
	1.510 (38.4)	1.450 (36.8)
23	1.645 (41.8)	1.585 (40.3)
	1.635 (41.5)	1.575 (40.0)
25	1.770 (45.0)	1.710 (43.4)
	1.760 (44.7)	1.700 (43.2)



Dimensions in inches (millimeters) and are subject to change without notice.

© 2013 Glenair, Inc.

U.S. CAGE Code 06324

Printed in U.S.A.