

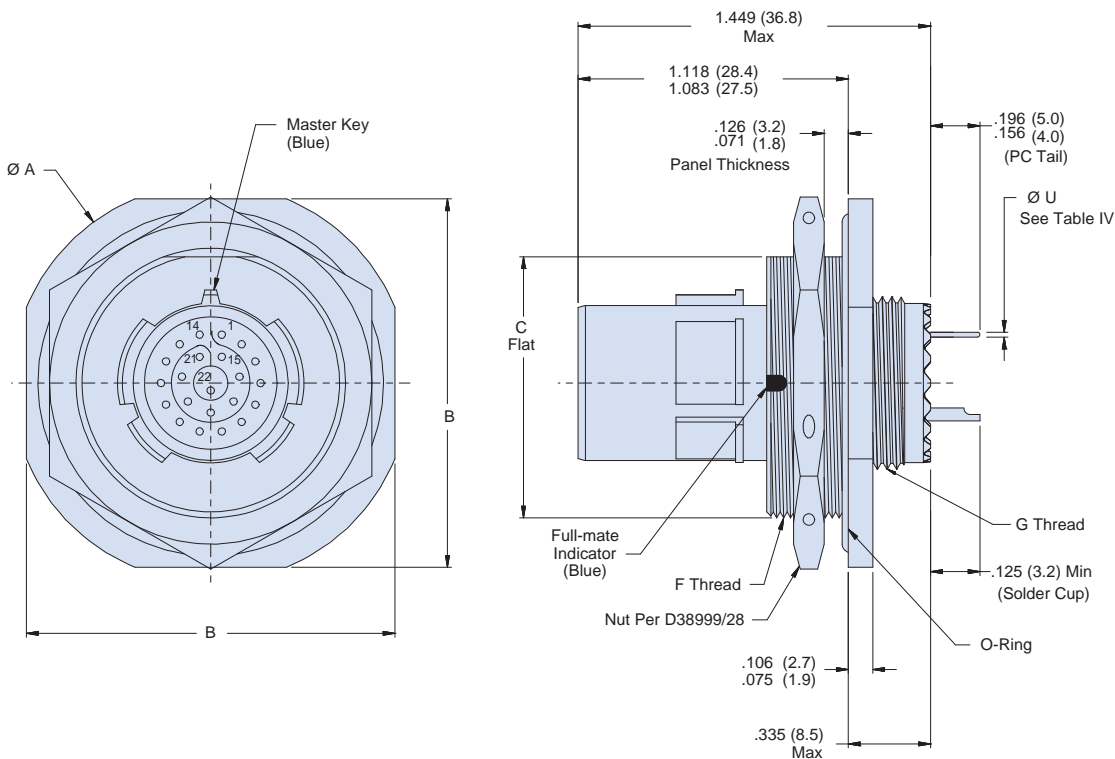


240-384J
MIL-DTL-38999 Series IV Type Filter Connector
Jam Nut Receptacle

B

D38999 SERIES IV TYPE JAM NUT RECEPTACLE

How To Order										
Sample Part Number	240-384	J	NF	15-35	P	P	P	A	N	N
Filter Connector	MIL-DTL-38999 Series IV Type									
Shell Style	J = Jam Nut									
Connector Class	See Table I									
Insert Arrangement	IAW MIL-STD-1560. (See pages B-50 – B-51)									
Contact Gender	P = Pin S = Socket									
Termination	S = Solder Cup P = PC Tail									
Filter Type	P = Pi Circuit C = C Circuit (See Note 1)									
Capacitance	See Table II									
Flange Mounting Style	N = Not Applicable									
Alternate Key Position	A, B, C, D, K, L, M, R, U, N = Normal (See page B-51)									



Notes

1. Other filter styles (C-L, L-C, Unbalanced Pi, Multi-Stage, Multi-Value) are available, please consult the factory.

Dimensions in inches (millimeters) and are subject to change without notice.

240-384J
MIL-DTL-38999 Series IV Type Filter Connector
Jam Nut Receptacle



MIL-DTL-38999
Type

B

Table I: Connector Class			
Sym	Class	Material	Finish Description
ME	Environmental	Aluminum	Electroless Nickel
MT	Environmental	Aluminum	Ni-PTFE 1000 Hour Grey™ Nickel Fluorocarbon Polymer
NF	Environmental	Aluminum	Cadmium O.D. Over Electroless Nickel
ZL	Environmental	Stainless Steel	Electro-Deposited Nickel
ZN	Environmental	Aluminum	Zinc-Nickel, Olive Drab
ZR	Environmental	Aluminum	Zinc Nickel, Black - RoHS
H2*	Hermetic	Stainless Steel	Electro-Deposited Nickel

*Some dimensions do not apply. See drawing 240-384JH2

Table II: Capacitor Array Code Capacitance Range		
Class	Pi - Circuit (pF)	C - Circuit (pF)
X*	160,000 - 240,000	80,000 - 120,000
Y*	80,000 - 120,000	40,000 - 60,000
Z*	60,000 - 90,000	30,000 - 45,000
A	38,000 - 56,000	19,000 - 28,000
B	32,000 - 45,000	16,000 - 22,500
C	18,000 - 33,000	9,000 - 16,500
D	8,000 - 12,000	4,000 - 6,000
E	3,300 - 5,000	1,650 - 2,500
F	800 - 1,300	400 - 650
G	400 - 600	200 - 300
J	70-120	35-60

* Filter Classes X, Y and Z are 250 VDC.
 All others are 500 VDC

Table IV: PC Tail Dia	
Contact Size	Ø U
22D	.021 (0.53)
	.018 (0.46)
20	.031 (0.79)
	.029 (0.74)
16	.042 (1.07)
	.038 (0.97)
12	.096 (2.44)
	.092 (2.34)

Table III: Dimensions					
Shell Size	Ø A	B	C Flat	F Thread	G Thread
11	1.520 (38.6)	1.394 (35.4)	.942 (23.9)	M25 X 1.0-6g 0.100R	M15 X 1.0-6g 0.100R
	1.480 (37.6)	1.354 (34.4)	.935 (23.7)		
13	1.642 (41.7)	1.520 (38.6)	1.066 (27.1)	M28 X 1.0-6g 0.100R	M18 X 1.0-6g 0.100R
	1.602 (40.7)	1.480 (37.6)	1.059 (26.9)		
15	1.768 (44.9)	1.642 (41.7)	1.191 (30.3)	M31 X 1.0-6g 0.100R	M22 X 1.0-6g 0.100R
	1.728 (43.9)	1.602 (40.7)	1.184 (30.1)		
17	1.957 (49.7)	1.799 (45.7)	1.321 (33.6)	M34 X 1.0-6g 0.100R	M25 X 1.0-6g 0.100R
	1.917 (48.7)	1.760 (44.7)	1.314 (33.4)		
19	2.035 (51.7)	1.909 (48.5)	1.441 (36.6)	M38 X 1.0-6g 0.100R	M28 X 1.0-6g 0.100R
	1.996 (50.7)	1.870 (47.5)	1.434 (36.4)		
21	2.157 (54.8)	2.035 (51.7)	1.566 (39.8)	M41 X 1.0-6g 0.100R	M31 X 1.0-6g 0.100R
	2.118 (53.8)	1.996 (50.7)	1.559 (39.6)		
23	2.283 (58.0)	2.157 (54.8)	1.691 (43.0)	M44 X 1.0-6g 0.100R	M34 X 1.0-6g 0.100R
	2.244 (57.0)	2.118 (53.8)	1.684 (42.8)		
25	2.409 (61.2)	2.283 (58.0)	1.816 (46.1)	M47 X 1.0-6g 0.100R	M37 X 1.0-6g 0.100R
	2.370 (60.2)	2.244 (57.0)	1.809 (45.9)		

Dimensions in inches (millimeters) and are subject to change without notice.