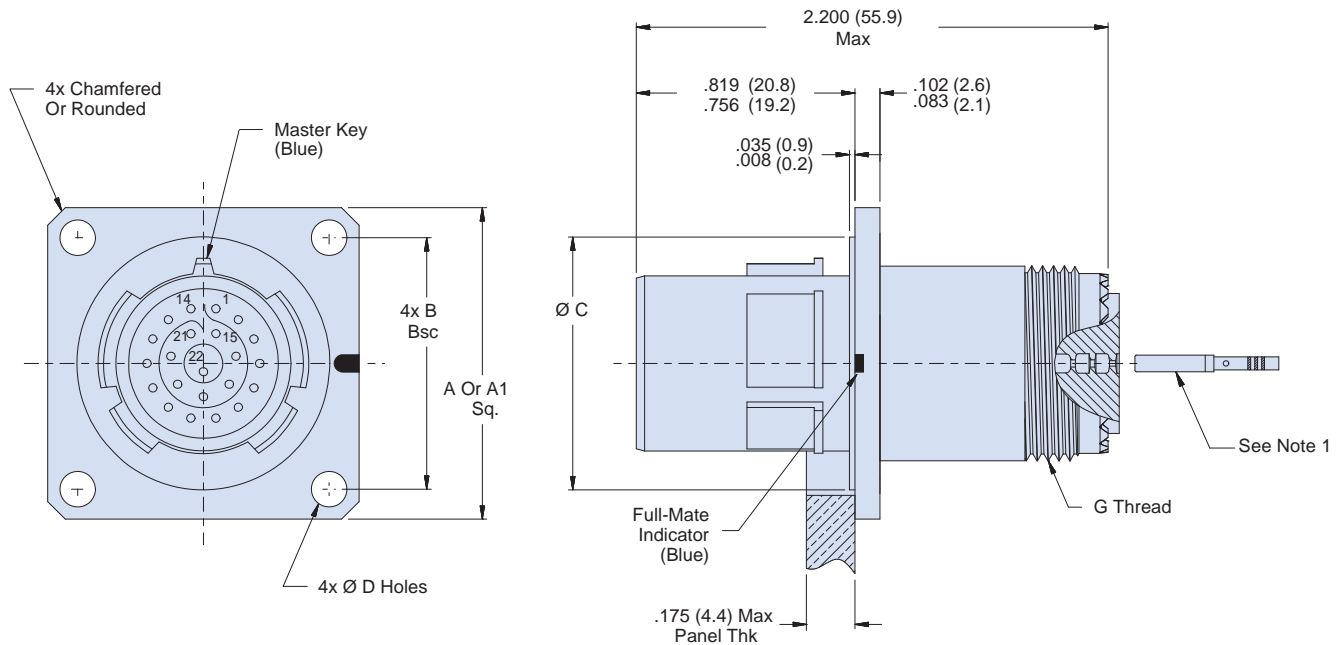


D38999 SERIES IV TYPE WALL MOUNT RECEPTACLE WITH CRIMP REMOVABLE CONTACTS

How To Order	
Sample Part Number	240-384 R ME 15-35 P S P C H N
Filter Connector	MIL-DTL-38999 Series IV Type
Shell Style	R = Wall Mount with Crimp Contacts
Connector Class	See Table I
Insert Arrangement	IAW MIL-STD-1560. (See pages B-50 – B-51)
Contact Gender	P = Pin S = Socket
Termination	C = Crimp
Filter Type	P = Pi Circuit C = C Circuit (See Note 2)
Capacitance	See Table II
Flange Mounting Style	H = Round Holes C = Clinch Nuts (4-40 UNC) M = Metric Clinch Nuts (M3)
Alternate Key Position	A, B, C, D, K, L, M, R, U, N = Normal (See page B-51)



Notes

1. Crimp removable contacts to conform to MIL-C-39029/57-358, Size 16, MIL-C-39029/57-357 Size 20, and MIL-C-39029/57-354 Size 22D (Supplied loose).
2. Other filter styles (C-L, L-C, Unbalanced Pi, Multi-Stage, Multi-Value) are available, please consult the factory.

Dimensions in inches (millimeters) and are subject to change without notice.

240-384R
MIL-DTL-38999 Series IV Type Filter Connector
Wall Mount Receptacle with Crimp Removable Contacts



MIL-DTL-38999
Type

B

Sym	Class	Material	Finish Description
ME	Environmental	Aluminum	Electroless Nickel
MT	Environmental	Aluminum	Ni-PTFE 1000 Hour Grey™ Nickel Fluorocarbon Polymer
NF	Environmental	Aluminum	Cadmium O.D. Over Electroless Nickel
ZL	Environmental	Stainless Steel	Electro-Deposited Nickel
ZN	Environmental	Aluminum	Zinc-Nickel, Olive Drab
ZR	Environmental	Aluminum	Zinc Nickel, Black - RoHS
H2*	Hermetic	Stainless Steel	Electro-Deposited Nickel

*Some dimensions do not apply. See drawing 240-384RH2

Class	Pi - Circuit (pF)	C - Circuit (pF)
X*	160,000 - 240,000	80,000 - 120,000
Y*	80,000 - 120,000	40,000 - 60,000
Z*	60,000 - 90,000	30,000 - 45,000
A	38,000 - 56,000	19,000 - 28,000
B	32,000 - 45,000	16,000 - 22,500
C	18,000 - 33,000	9,000 - 16,500
D	8,000 - 12,000	4,000 - 6,000
E	3,300 - 5,000	1,650 - 2,500
F	800 - 1,300	400 - 650
G	400 - 600	200 - 300
J	70-120	35-60

* Filter Classes X, Y and Z are 250 VDC.
All others are 500 VDC

Shell Size	Thru Hole Flange		Clinch Nut Flange	B Bsc	Ø C	G Thread
	A Sq.	Ø D Holes	A1 Sq. ±.020 (.51)			
11	1.051 (26.7) 1.008 (25.6)	.138 (3.5) .122 (3.1)	1.112 (28.2)	.812 (20.6)	.793 (20.1) .778 (19.8)	M15 X 1.0-6g 0.100R
13	1.145 (29.1) 1.102 (28.0)	.138 (3.5) .122 (3.1)	1.206 (30.6)	.906 (23.0)	.919 (23.3) .904 (23.0)	M18 X 1.0-6g 0.100R
15	1.240 (31.5) 1.197 (30.4)	.138 (3.5) .122 (3.1)	1.269 (32.2)	.969 (24.6)	1.044 (26.5) 1.029 (26.1)	M22 X 1.0-6g 0.100R
17	1.334 (33.9) 1.291 (32.8)	.138 (3.5) .122 (3.1)	1.362 (34.6)	1.062 (27.0)	1.170 (29.7) 1.155 (29.3)	M25 X 1.0-6g 0.100R
19	1.460 (37.1) 1.417 (36.0)	.138 (3.5) .122 (3.1)	1.456 (37.0)	1.156 (29.4)	1.294 (32.9) 1.279 (32.5)	M28 X 1.0-6g 0.100R
21	1.583 (40.2) 1.539 (39.1)	.138 (3.5) .122 (3.1)	1.562 (39.7)	1.250 (31.8)	1.419 (36.0) 1.404 (35.7)	M31 X 1.0-6g 0.100R
23	1.709 (43.4) 1.665 (42.3)	.157 (4.0) .142 (3.6)	1.719 (43.7)	1.375 (34.9)	1.544 (39.2) 1.529 (38.8)	M34 X 1.0-6g 0.100R
25	1.835 (46.6) 1.791 (45.5)	.157 (4.0) .142 (3.6)	1.844 (46.8)	1.500 (38.1)	1.670 (42.4) 1.654 (42.0)	M37 X 1.0-6g 0.100R

Dimensions in inches (millimeters) and are subject to change without notice.