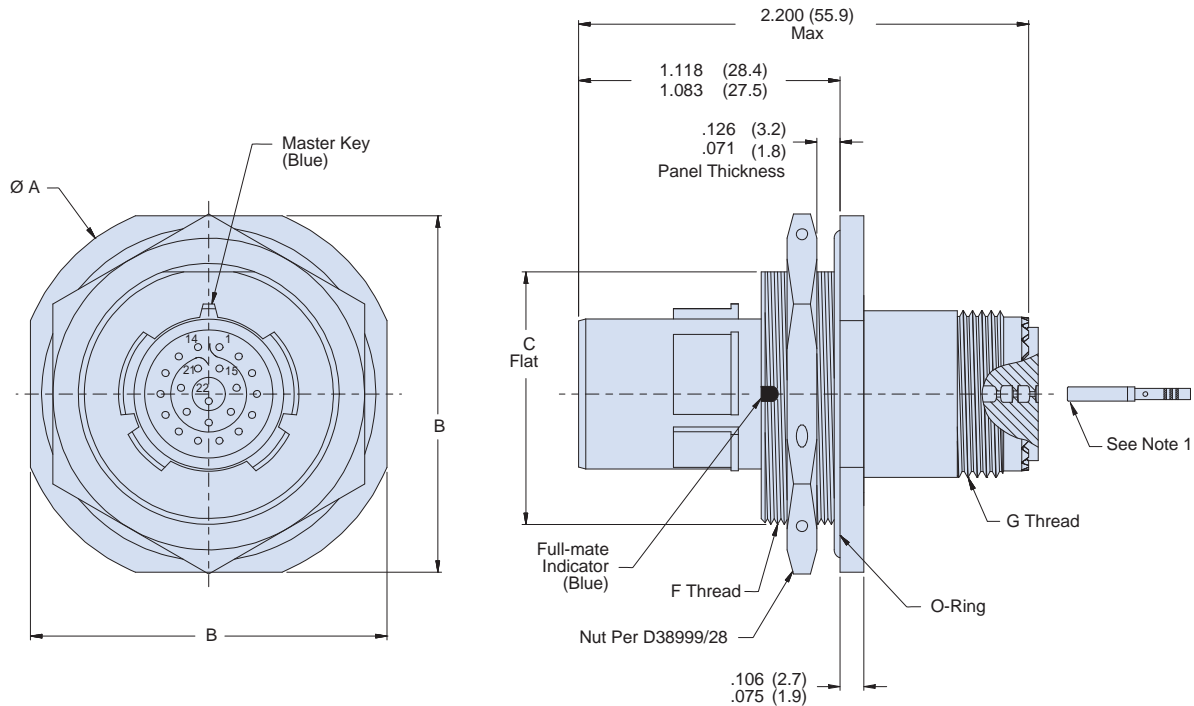


D38999 SERIES IV TYPE JAM NUT RECEPTACLE WITH CRIMP REMOVABLE CONTACTS

| How To Order | | | | | | | | | | |
|------------------------|---|---|----|-------|---|---|---|---|---|---|
| Sample Part Number | 240-384 | S | NF | 15-35 | P | C | P | A | N | N |
| Filter Connector | MIL-DTL-38999 Series IV Type | | | | | | | | | |
| Shell Style | S = Jam Nut with Crimp Removable Contacts | | | | | | | | | |
| Connector Class | See Table I | | | | | | | | | |
| Insert Arrangement | IAW MIL-STD-1560. (See pages B-50 – B-51) | | | | | | | | | |
| Contact Gender | P = Pin S = Socket | | | | | | | | | |
| Termination | C = Crimp | | | | | | | | | |
| Filter Type | P = Pi Circuit C = C Circuit (See Note 2) | | | | | | | | | |
| Capacitance | See Table II | | | | | | | | | |
| Flange Mounting Style | N = Not Applicable | | | | | | | | | |
| Alternate Key Position | A, B, C, D, K, L, M, R, U, N = Normal (See page B-51) | | | | | | | | | |


Notes

1. Crimp removable contacts to conform to MIL-C-39029/57-358, Size 16, MIL-C-39029/57-357 Size 20, and MIL-C-39029/57-354 Size 22D (Supplied loose).
2. Other filter styles (C-L, L-C, Unbalanced Pi, Multi-Stage, Multi-Value) are available, please consult the factory.

Dimensions in inches (millimeters) and are subject to change without notice.

240-384S
MIL-DTL-38999 Series IV Type Filter Connector
Jam Nut Receptacle with Crimp Removable Contacts



MIL-DTL-38999
Type

B

| Table I: Connector Class | | | |
|--------------------------|---------------|-----------------|---|
| Sym | Class | Material | Finish Description |
| ME | Environmental | Aluminum | Electroless Nickel |
| MT | Environmental | Aluminum | Ni-PTFE 1000 Hour Grey™ Nickel Fluorocarbon Polymer |
| NF | Environmental | Aluminum | Cadmium O.D. Over Electroless Nickel |
| ZL | Environmental | Stainless Steel | Electro-Deposited Nickel |
| ZN | Environmental | Aluminum | Zinc-Nickel, Olive Drab |
| ZR | Environmental | Aluminum | Zinc Nickel, Black - RoHS |
| H2* | Hermetic | Stainless Steel | Electro-Deposited Nickel |

*Some dimensions do not apply. See drawing 240-384SH2

| Table II: Capacitor Array Code Capacitance Range | | |
|--|-------------------|------------------|
| Class | Pi - Circuit (pF) | C - Circuit (pF) |
| X* | 160,000 - 240,000 | 80,000 - 120,000 |
| Y* | 80,000 - 120,000 | 40,000 - 60,000 |
| Z* | 60,000 - 90,000 | 30,000 - 45,000 |
| A | 38,000 - 56,000 | 19,000 - 28,000 |
| B | 32,000 - 45,000 | 16,000 - 22,500 |
| C | 18,000 - 33,000 | 9,000 - 16,500 |
| D | 8,000 - 12,000 | 4,000 - 6,000 |
| E | 3,300 - 5,000 | 1,650 - 2,500 |
| F | 800 - 1,300 | 400 - 650 |
| G | 400 - 600 | 200 - 300 |
| J | 70-120 | 35-60 |

* Filter Classes X, Y and Z are 250 VDC.
 All others are 500 VDC

| Table III: Dimensions | | | | | |
|-----------------------|--------------|--------------|--------------|---------------------|---------------------|
| Shell Size | Ø A | B | C Flat | F Thread | G Thread |
| 11 | 1.520 (38.6) | 1.394 (35.4) | .942 (23.9) | M25 X 1.0-6g 0.100R | M15 X 1.0-6g 0.100R |
| | 1.480 (37.6) | 1.354 (34.4) | .935 (23.7) | | |
| 13 | 1.642 (41.7) | 1.520 (38.6) | 1.066 (27.1) | M28 X 1.0-6g 0.100R | M18 X 1.0-6g 0.100R |
| | 1.602 (40.7) | 1.480 (37.6) | 1.059 (26.9) | | |
| 15 | 1.768 (44.9) | 1.642 (41.7) | 1.191 (30.3) | M31 X 1.0-6g 0.100R | M22 X 1.0-6g 0.100R |
| | 1.728 (43.9) | 1.602 (40.7) | 1.184 (30.1) | | |
| 17 | 1.957 (49.7) | 1.799 (45.7) | 1.321 (33.6) | M34 X 1.0-6g 0.100R | M25 X 1.0-6g 0.100R |
| | 1.917 (48.7) | 1.760 (44.7) | 1.314 (33.4) | | |
| 19 | 2.035 (51.7) | 1.909 (48.5) | 1.441 (36.6) | M38 X 1.0-6g 0.100R | M28 X 1.0-6g 0.100R |
| | 1.996 (50.7) | 1.870 (47.5) | 1.434 (36.4) | | |
| 21 | 2.157 (54.8) | 2.035 (51.7) | 1.566 (39.8) | M41 X 1.0-6g 0.100R | M31 X 1.0-6g 0.100R |
| | 2.118 (53.8) | 1.996 (50.7) | 1.559 (39.6) | | |
| 23 | 2.283 (58.0) | 2.157 (54.8) | 1.691 (43.0) | M44 X 1.0-6g 0.100R | M34 X 1.0-6g 0.100R |
| | 2.244 (57.0) | 2.118 (53.8) | 1.684 (42.8) | | |
| 25 | 2.409 (61.2) | 2.283 (58.0) | 1.816 (46.1) | M47 X 1.0-6g 0.100R | M37 X 1.0-6g 0.100R |
| | 2.370 (60.2) | 2.244 (57.0) | 1.809 (45.9) | | |

Dimensions in inches (millimeters) and are subject to change without notice.