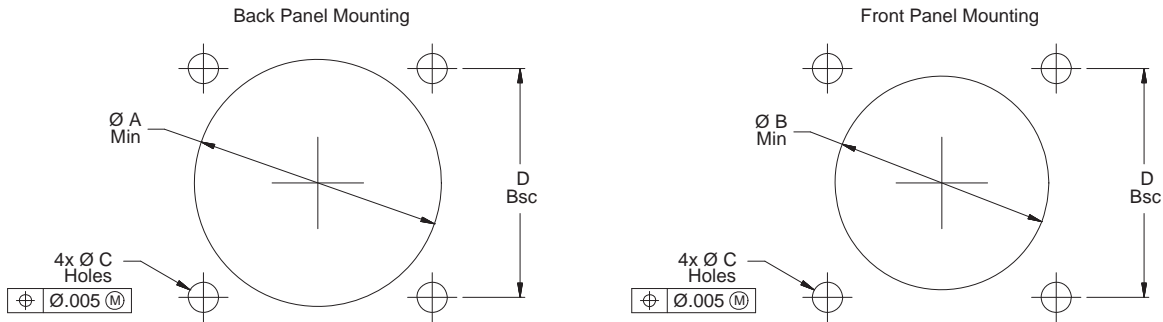


MIL-DTL-38999 Series IV Type Filter Connector with Breach-Lock Coupling

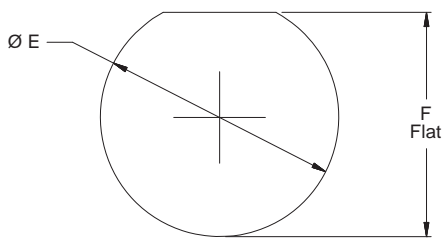


MIL-DTL-38999
Type

B



MIL-DTL-38999 Series IV Square Flange Panel Cut-Outs				
Shell Size	Ø A Min Back Panel	Ø B Min Front Panel	Ø C Holes	D Bsc
11	.796 (20.2)	.625 (15.9)	.133 (3.4) .123 (3.1)	.812 (20.6)
13	.922 (23.4)	.750 (19.1)		.906 (23.0)
15	1.047 (26.6)	.906 (23.0)		.969 (24.6)
17	1.219 (31.0)	1.016 (25.8)		1.062 (27.0)
19	1.297 (32.9)	1.141 (29.0)		1.156 (29.4)
21	1.422 (36.1)	1.266 (32.2)		1.250 (31.8)
23	1.547 (39.3)	1.375 (34.9)	.159 (4.0) .149 (3.8)	1.375 (34.9)
25	1.672 (42.5)	1.484 (37.7)	.155 (3.9) .145 (3.7)	1.500 (38.1)



MIL-DTL-38999 Series IV Jam Nut Panel Cut-Out		
Shell Size	Ø E	F Flat
11	1.010 (25.7)	.945 (24.0)
	1.020 (25.9)	.955 (24.3)
13	1.135 (28.8)	1.075 (27.3)
	1.145 (29.1)	1.085 (27.6)
15	1.260 (32.0)	1.200 (30.5)
	1.270 (32.3)	1.210 (30.7)
17	1.385 (35.2)	1.325 (33.7)
	1.395 (35.4)	1.335 (33.9)
19	1.510 (38.4)	1.450 (36.8)
	1.520 (38.6)	1.460 (37.1)
21	1.635 (41.5)	1.575 (40.0)
	1.645 (41.8)	1.585 (40.3)
23	1.760 (44.7)	1.700 (43.2)
	1.770 (45.0)	1.710 (43.4)
25	1.885 (47.9)	1.825 (46.4)
	1.895 (48.1)	1.835 (46.6)

Dimensions in inches (millimeters) and are subject to change without notice.