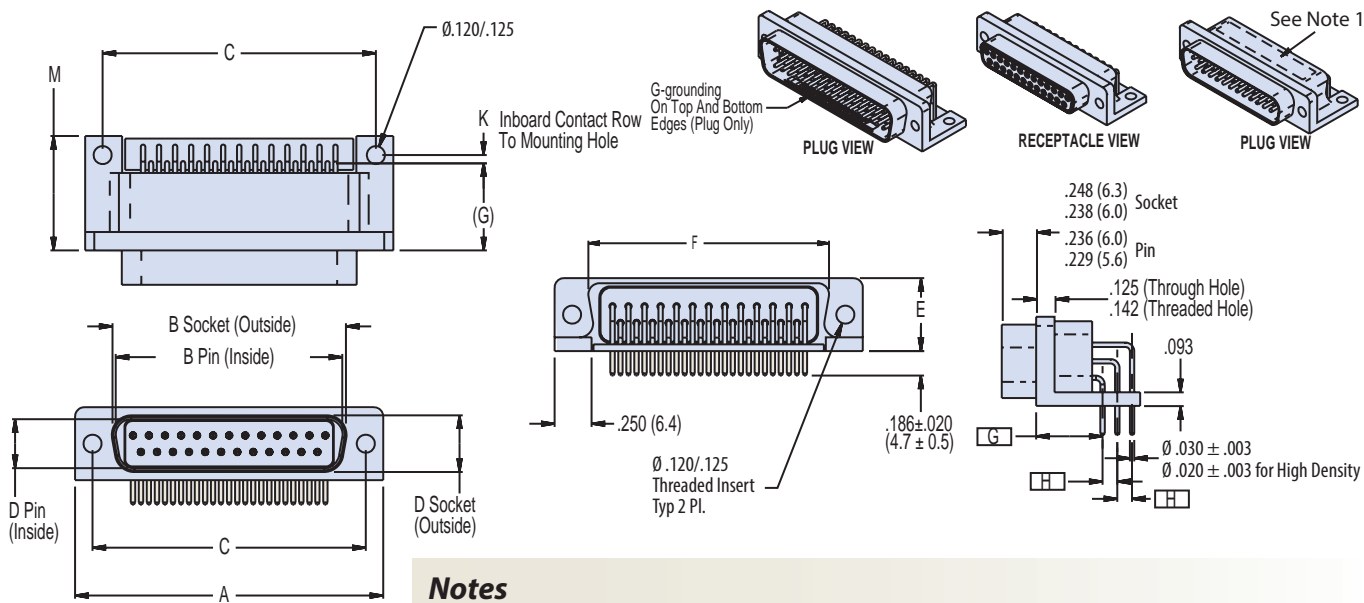


240-066 D-Subminiature Filter Connector Right Angle PCB Contacts

How To Order Filter D-Subminiature Right-Angle Mount Connectors										
Sample Part Number	240-066	S	-15	P	Z2	C	A	C	M	-G
Series	240-066									
Contact Density	S - Standard H - High									
Number of Contacts	9, 15, 25, 26, 37, 44, 50, 62, 78, 104 (See Table II)									
Contact Type	P - Pin S - Socket (See Table I)									
Shell Material/Finish	Aluminum Shell ME - Electroless Nickel JF - Yellow Cadmium MT - Nickel-PTFE Z2 - Gold E - Chem Film			Brass Shell GS - Gold						
Filter Type	C - C Filter P - Pi Filter (See Table I)									
Filter Class	A, B, C, D, E, F, G, J (See Table I)									
Mounting Options	B - No Hardware C - 4-40 Clinch Nut M - Metric Thread (M3)									
Footprint Type	M - Mil-Spec E - European (See Table V)									
EMI Spring	G - EMI Spring (Plug/Pin Only) N - No Spring									

E



Class	Pi - Circuit (pF)	C - Circuit (pF)
A	38,000 - 56,000	19,000 - 28,000
B	32,000 - 45,000	16,000 - 22,500
C	18,000 - 33,000	9,000 - 16,500
D	8,000 - 12,000	4,000 - 6,000
E	3,300 - 5,000	1,650 - 2,500
F	800 - 1,300	400 - 650
G	400 - 600	200 - 300
J	70 - 120	35 - 60

Notes

1. Assembly to be identified with Glenair's name, part number, and date code space permitting
2. Dimensions B and D taken from inside of shell for Pin/Plug and outside for Socket/Receptacle.
3. Electrical Performance:
 Dielectric Withstanding Voltage: 500 VDC
 Insulation Resistance: 5,000 megohms @ 200 VDC
 Current Rating Standard Density: 7.5 Amps max.
 Current Rating High Density: 5 Amps max.

Materials/Finishes:

Insulators - High Grade Rigid Dielectric/N.A
 Contacts - Copper Alloy/Gold Plated

Dimensions in inches (millimeters) and are subject to change without notice.

240-066

D-Subminiature Filter Connector Right Angle PCB Contacts



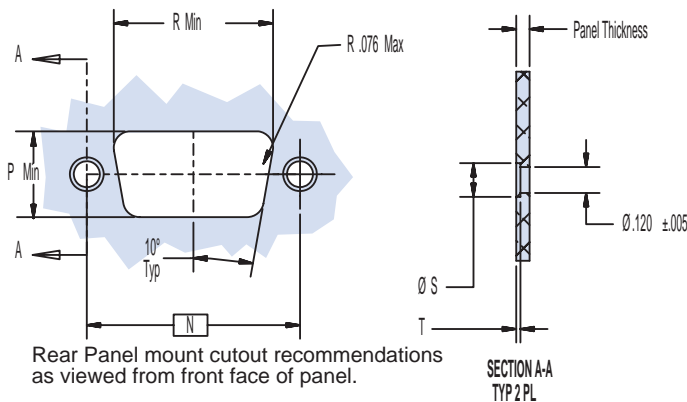
D-Subminiature
MIL-DTL-24308 Type

Table II: Dimensions								
Shell Size	Number of Contacts		A	B	C	D	E	F
	STD	HD	±.015 (0.38)	±.005 (0.13)	±.005 (0.13)	±.005 (0.13)	±.015 (0.38)	Max
1	9P	15P	1.213 (30.8)	.666 (16.9)	.984 (25.0)	.329 (8.4)	.494 (12.5)	.769 (19.5)
	9S	15S	1.213 (30.8)	.643 (16.3)	.984 (25.0)	.311 (7.9)	.494 (12.5)	.769 (19.5)
2	15P	26P	1.541 (39.1)	.994 (25.2)	1.312 (33.3)	.329 (8.4)	.494 (12.5)	1.093 (27.8)
	15S	26S	1.541 (39.1)	.971 (24.7)	1.312 (33.3)	.311 (7.9)	.494 (12.5)	1.093 (27.8)
3	25P	44P	2.088 (53.0)	1.534 (39.0)	1.852 (47.0)	.329 (8.4)	.494 (12.5)	1.635 (41.5)
	25S	44S	2.088 (53.0)	1.511 (38.4)	1.852 (47.0)	.311 (7.9)	.494 (12.5)	1.635 (41.5)
4	37P	62P	2.729 (69.3)	2.182 (55.4)	2.500 (63.5)	.329 (8.4)	.494 (12.5)	2.282 (58.0)
	37S	62S	2.729 (69.3)	2.159 (54.8)	2.500 (63.5)	.311 (7.9)	.494 (12.5)	2.282 (58.0)
5	50P	78P	2.635 (66.9)	2.079 (52.8)	2.406 (61.1)	.441 (11.2)	.605 (15.4)	2.188 (55.6)
	50S	78S	2.635 (66.9)	2.064 (52.4)	2.406 (61.1)	.423 (10.7)	.605 (15.4)	2.188 (55.6)
6	X	104P	2.729 (69.3)	2.212 (56.2)	2.500 (63.5)	.503 (12.8)	.668 (17.0)	2.312 (58.7)
		104S	2.729 (69.3)	2.189 (55.6)	2.500 (63.5)	.486 (12.3)	.668 (17.0)	2.312 (58.7)

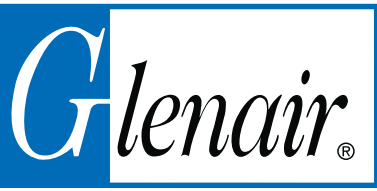
Table V: Dimensions						
Contact Density	# of Contacts	Footprint Type	H Basic	K Basic	M ± .015	
					Pi Filter	C Filter
Standard Density	9-37	Mil-Aero	.112 (2.8)	.056 (1.4)	.777 (19.7)	.637 (16.2)
		Euro Style	.100 (2.5)	.050 (1.3)	.765 (19.4)	.625 (15.9)
	50	Mil-Aero	.112 (2.8)	.112 (2.8)	.889 (22.6)	.749 (19.0)
		Euro Style	.100 (2.5)	.100 (2.5)	.865 (22.0)	.725 (18.4)
High Density	15-62	Mil-Aero	.078 (2.0)	.078 (2.0)	.821 (20.9)	.681 (17.3)
		Euro Style	.100 (2.5)	.100 (2.5)	.865 (22.0)	.725 (18.4)
	78	Mil-Aero	.082 (2.1)	.123 (3.12)	.911 (23.1)	.771 (19.6)
		Euro Style	.100 (2.5)	.150 (3.81)	.965 (24.5)	.825 (21.0)
	104	Mil-Aero	.082 (2.1)	.200 (5.08)	1.065 (27.1)	.853 (21.7)
		Euro Style	.100 (2.5)	.164 (4.2)	.993 (25.2)	.925 (23.5)

Table III: Cut-Out Dimensions			
Shell Size	N BSC	P Min	R Min
1	.984 (25.0)	.396 (10.1)	.735 (18.7)
2	1.312 (33.3)	.396 (10.1)	1.060 (26.9)
3	1.852 (47.0)	.396 (10.1)	1.603 (40.7)
4	2.500 (63.5)	.396 (10.1)	2.251 (57.2)
5	2.406 (61.1)	.510 (13.0)	2.148 (55.0)
6	2.500 (63.5)	.630 (16.0)	2.276 (57.8)

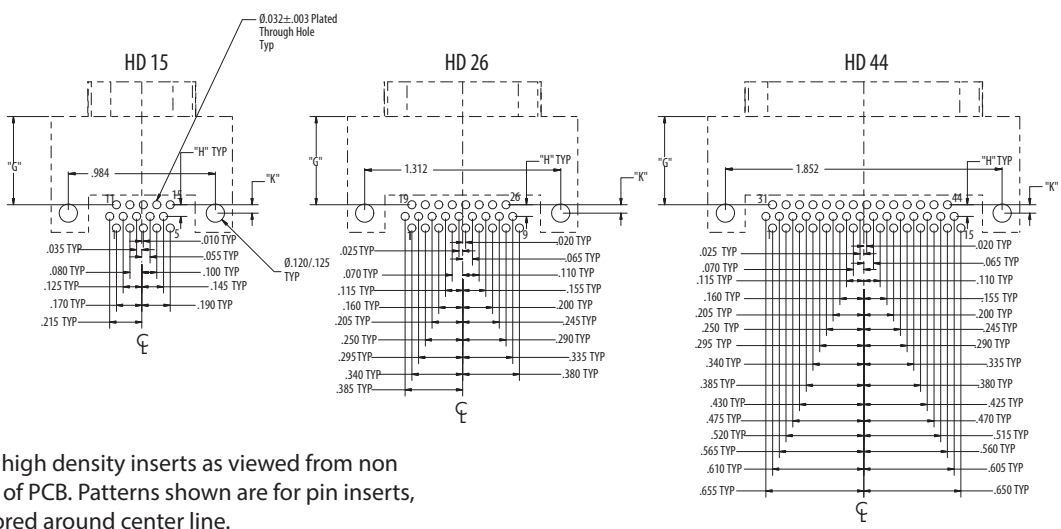
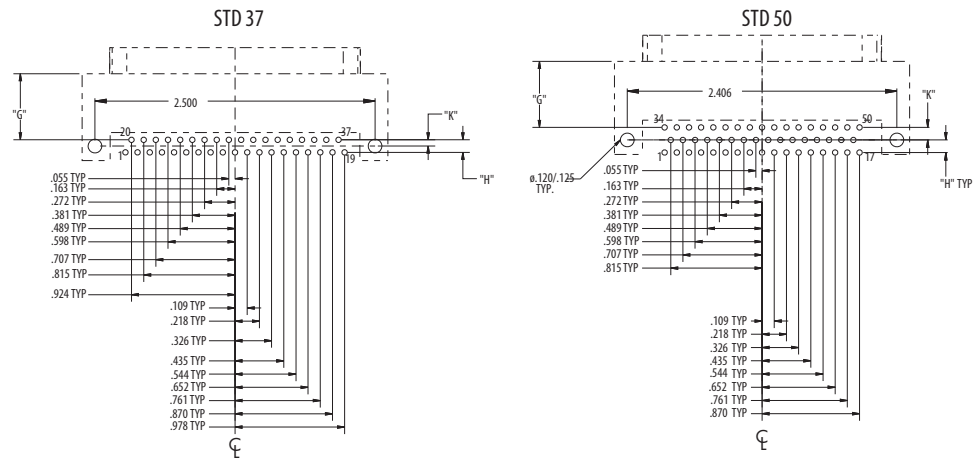
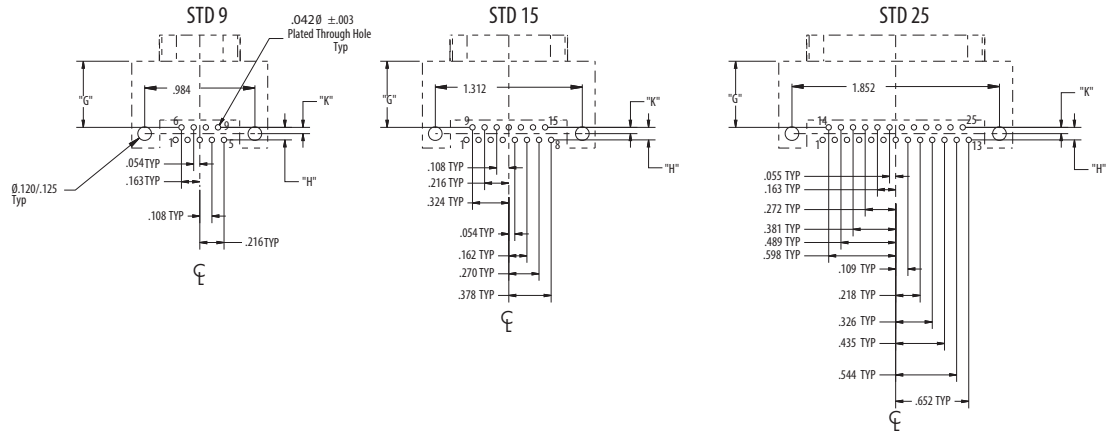
Table IV: Panel Thickness			
Panel Code	Panel Thickness	S	T
R1	.031 (0.79)	N/A	N/A
R2	.047 (1.19)	.156/.199 (4.0/5.1)	.005 (0.13)
R3	.062 (1.57)	.156/.199 (4.0/5.1)	.020 (0.50)
R4	.093 (2.36)	.156/.199 (4.0/5.1)	.051 (1.30)
R5	.104 (2.64)	.156/.199 (4.0/5.1)	.061 (1.55)
R6	.125 (3.18)	.156/.199 (4.0/5.1)	.082 (2.08)
R7	.156 (3.96)	.156/.199 (4.0/5.1)	.114 (2.90)



Dimensions in inches (millimeters) and are subject to change without notice.



240-066
D-Subminiature Filter Connector
Right Angle PCB Contacts • Connector Footprints



PCB patterns for high density inserts as viewed from non component side of PCB. Patterns shown are for pin inserts, sockets are mirrored around center line.

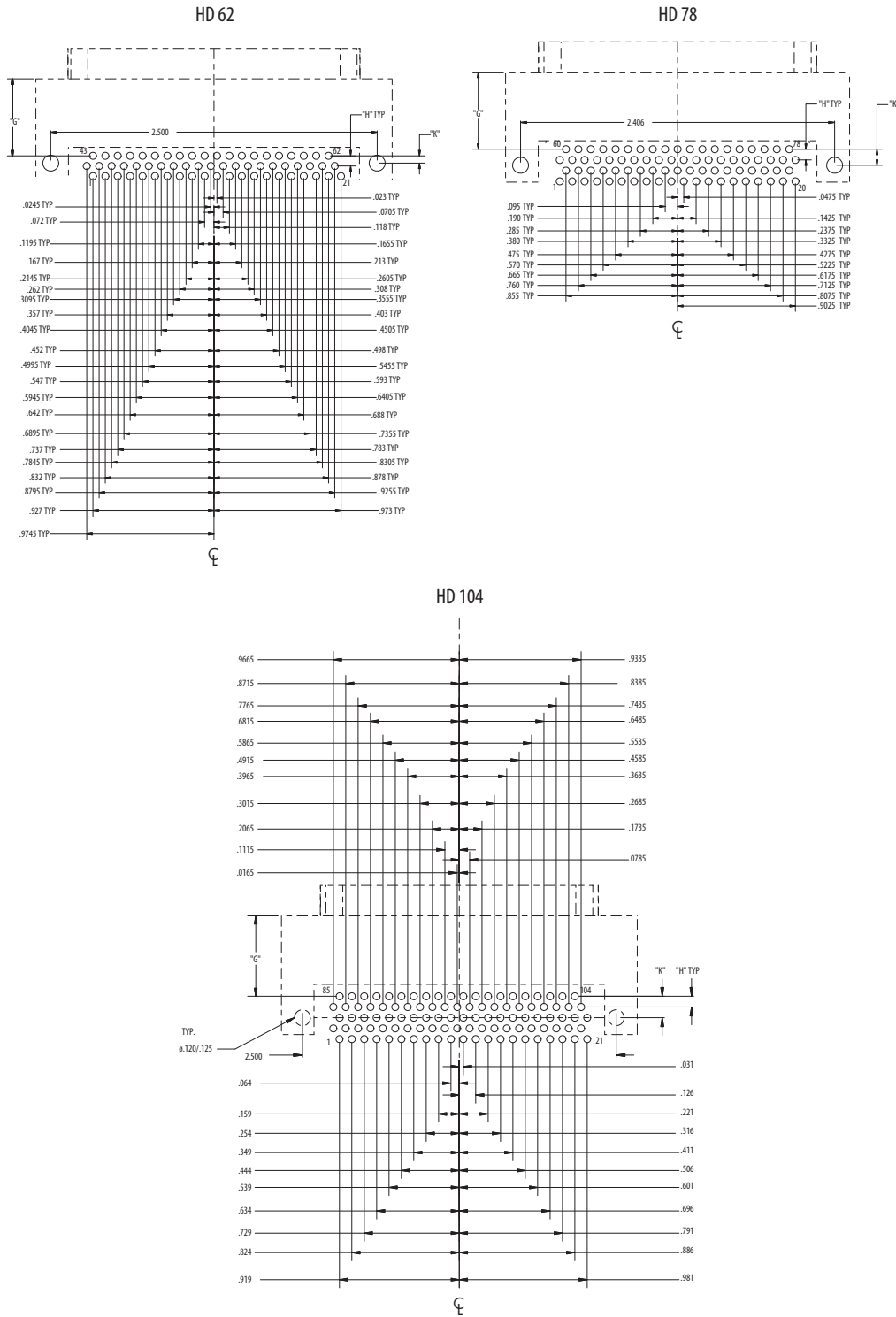
Dimensions in inches (millimeters) and are subject to change without notice.

© 2013 Glenair, Inc. U.S. CAGE Code 06324 Printed in U.S.A.

240-066
D-Subminiature Filter Connector
 Right Angle PCB Contacts • Connector Footprints



D-Subminiature
 MIL-DTL-24308 Type



E

Dimensions in inches (millimeters) and are subject to change without notice.

© 2013 Glenair, Inc.

U.S. CAGE Code 06324

Printed in U.S.A.