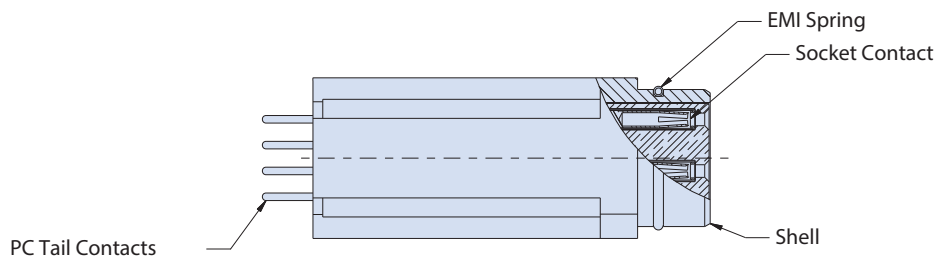
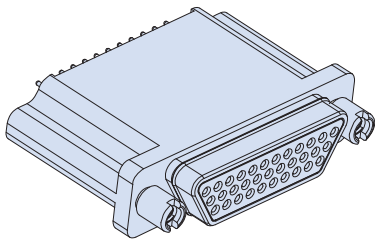


240-790-044
Series 79 Filtered Plug
Vertical PCB Mount with Straight PC Tails

How To Order Filter Series 79 Connectors

Sample Part Number	240-790-044	S	H-66	ME	E	P	D	P	A
Series	240-790-044								
Contact Type	S - Socket Contacts								
Insert Arrangement	(See Table I)								
Shell Material/Finish	Aluminum Shell ME - Electroless Nickel MT - Nickel-PTFE E - Chem Film Z2 - Gold UC - Zinc Cobalt with Black Chromate J - Cadmium with Yellow Chromate NF - Cad/O.D. over Electroless Nickel								
EMI Spring	E - With EMI Spring N - No EMI Spring								
Filter Type	C - C Filter P - Pi Filter								
Filter Class	X, Y, Z, A, B, C, D, E, F, G, J (See Table II)								
Mating Hardware Options	P - Jackposts N - No Mating Hardware (See Table III)								
PC Tail Length	A - .125" (3.18) B - .250" (6.35) C - .375" (9.53)								



Notes

1. Assembly to be identified with Glenair's name, part number, and date code, space permitting
2. Ground spring is not compatible with Zinc Cobalt or Cadmium platings. Ground spring is only available with Nickel, Teflon Nickel, Gold, or Chem Film plating on the shell.
3. EMI Filtered plug connector designed to meet requirements of MIL-STD-2120 and Glenair Series 79 specifications. Unless otherwise specified herein, refer to Glenair specification 799-008 for additional performance characteristics.
4. All contacts to have identical filter value. Other filter arrangements available, contact factory
5. See pages G-32 to G-37 for PCB hole patterns
6. Dielectric Withstanding Voltage: 500 VDC (Filter Class X, Y, Z are 250 VDC)
7. Insulation Resistance: 5,000 megohms @ 200 VDC

8. Current Carrying Capacity

- 23 Gage - 5 Amps max. for all layouts
- 16 Gage - 7.5 Amps max. for combo layouts / 13 Amps max. for all-power layouts
- 12 Gage - 13 Amps max. for combo layouts / 23 Amps max. for all-power layouts

9. Other filter styles (C-L, L-C, Unbalanced Pi, Multi-Stage, Multi-Value) are available. Please consult factory with your requirements.

Materials/Finishes:

- Insulators - High Grade Rigid Dielectric / N.A.
- Contacts - Copper Alloy / 50 microinches Gold over Nickel
- Mating Hardware - 300 Series Stainless Steel / Passivated

Dimensions in inches (millimeters) and are subject to change without notice.

240-790-044
Series 79 Filtered Plug
 Vertical PCB Mount with Straight PC Tails



Table I: Contact Arrangements

Layout	Contact Quantity			Face View
	#23	#16	#12	
A-5	5			
B-2P2		2		
B-9	9			
C-13	13			
D-15	15			
D-3P3		3		
D-7P2	5	2		
E-11P2	9	2		
E-19	19			
E-7P3	4	3		
F-15P2	13	2		
F-23	23			
F-5P5		5		
G-33	33			
H-10P4	6		4	
H-29P7	22	7		
H-36P2	34		2	
H-54P2	52	2		
H-5P5			5	
H-66	66			
J-17P4	13	4		
J-25P2	23	2		
J-33	33			
J-7P7		7		
K-27P4	23	4		
K-35P2	33	2		
K-43	43			
K-9P9		9		
L-6P6			6	
L-78	78			
M-102	102			

Table II: Capacitor Array Code / Capacitance Range

Class	Pi - Circuit (pF)	C - Circuit (pF)
X*†	160,000 - 240,000	80,000 - 120,000
Y*	80,000 - 120,000	40,000 - 60,000
Z*	60,000 - 90,000	30,000 - 45,000
A	38,000 - 56,000	19,000 - 28,000
B	32,000 - 45,000	16,000 - 22,500
C	18,000 - 33,000	9,000 - 16,500
D	8,000 - 12,000	4,000 - 6,000
E	3,300 - 5,000	1,650 - 2,500
F	800 - 1,300	400 - 650
G	400 - 600	200 - 300
J	70-120	35-60

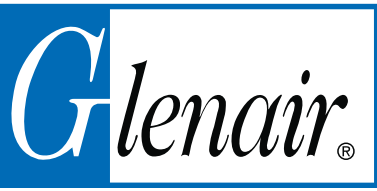
* Filter Classes X, Y and Z are 250 VDC. All others are 500 VDC
 † Class X filters not available for insert arrangements with 3 or more rows of contacts



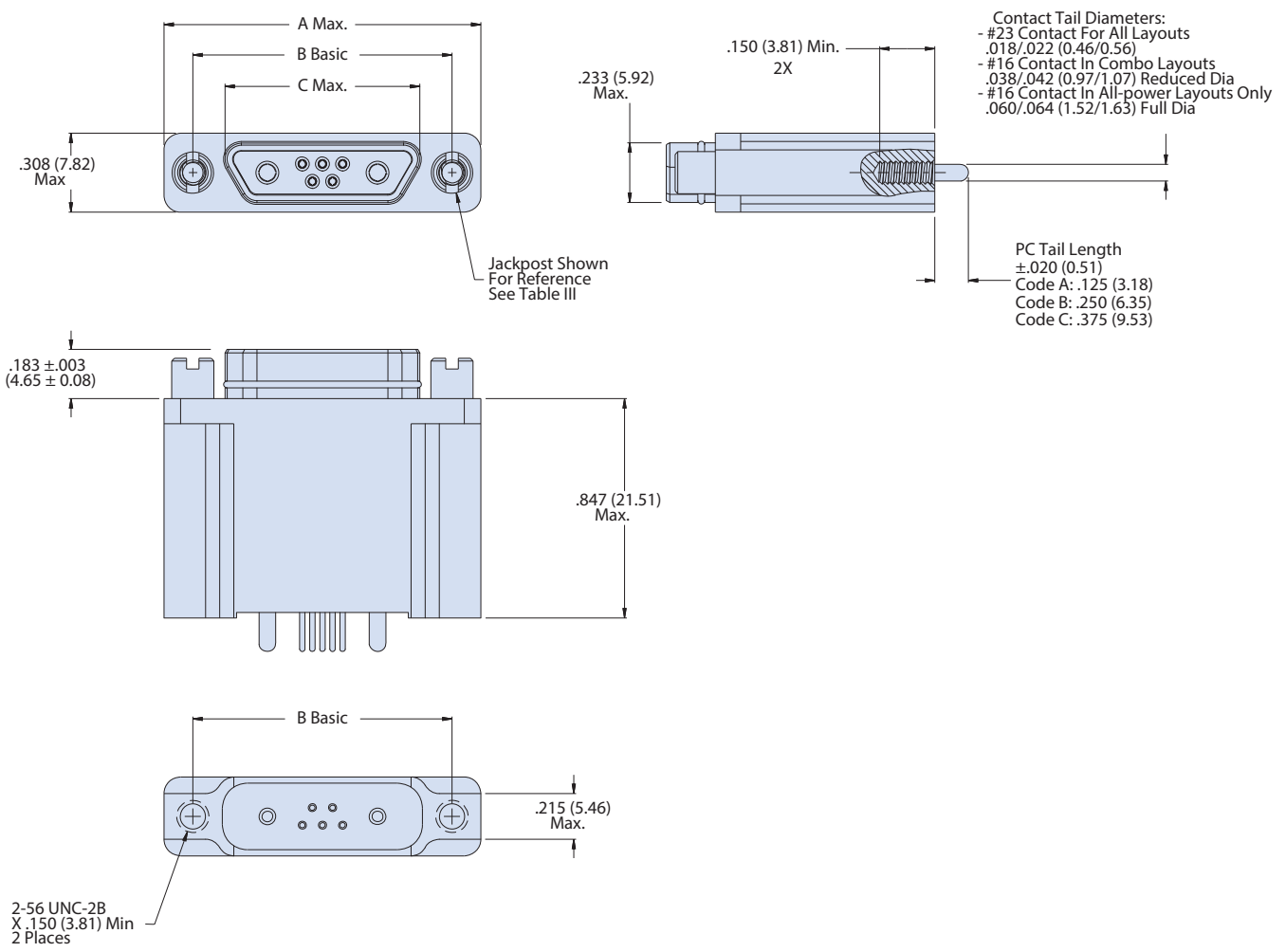
Table III: Hardware Option

N No Mating Hardware		Connector supplied with blind tapped holes. .150" (3.8 mm) minimum depth. Shell size M has #8-32 UNC-2B thread. Shell sizes H and L have #6-32 UNC-2B thread. All other sizes have #4-40 UNC-2B thread.
P Jackposts		Connector is supplied with non-removable stainless steel jackposts. Shell size M has 6-32-UNC thread. Shell sizes H and L have #4-40 UNC-2B thread. All other sizes have #2-56 UNC-2B thread.

Dimensions in inches (millimeters) and are subject to change without notice.



240-790-044S SHELL SIZE A, B, C, D, E, F, J AND K DIMENSIONS



Shell Sizes A,B,C,D,E,F,J,K

790-044S Dimensions for Size A-F, J and K						
Shell Size	A Max.		B Basic		C Max	
	In.	mm.	In.	mm.	In.	mm.
A	.785	19.94	.565	14.35	.335	8.51
B	.935	23.75	.715	18.16	.485	12.32
C	1.085	27.56	.865	21.97	.635	16.13
D	1.185	30.10	.965	24.51	.735	18.67
E	1.335	33.91	1.115	28.32	.885	22.48
F	1.485	37.72	1.265	32.13	1.035	26.29
J	1.845	46.86	1.615	41.02	1.390	35.31
K	2.240	56.90	2.015	51.18	1.795	45.59

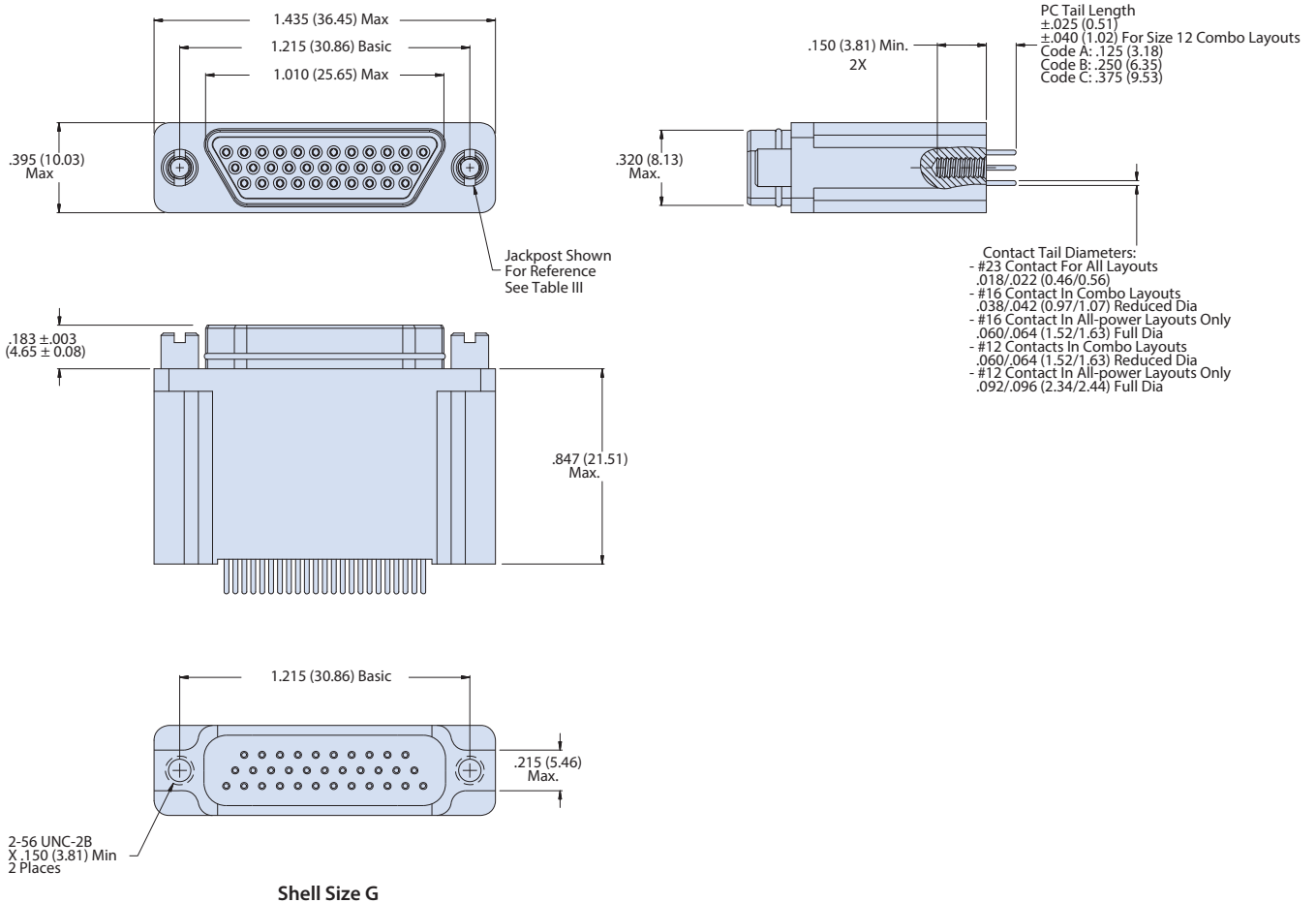
Dimensions in inches (millimeters) and are subject to change without notice.

240-790-044
 Series 79 Filtered Plug
 Vertical PCB Mount with Straight PC Tails



Series 79
 Micro-Crimp

240-790-044S SHELL SIZE G DIMENSIONS

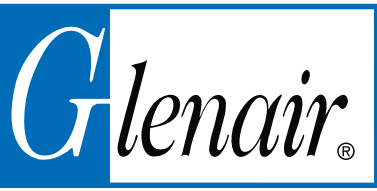


Dimensions in inches (millimeters) and are subject to change without notice.

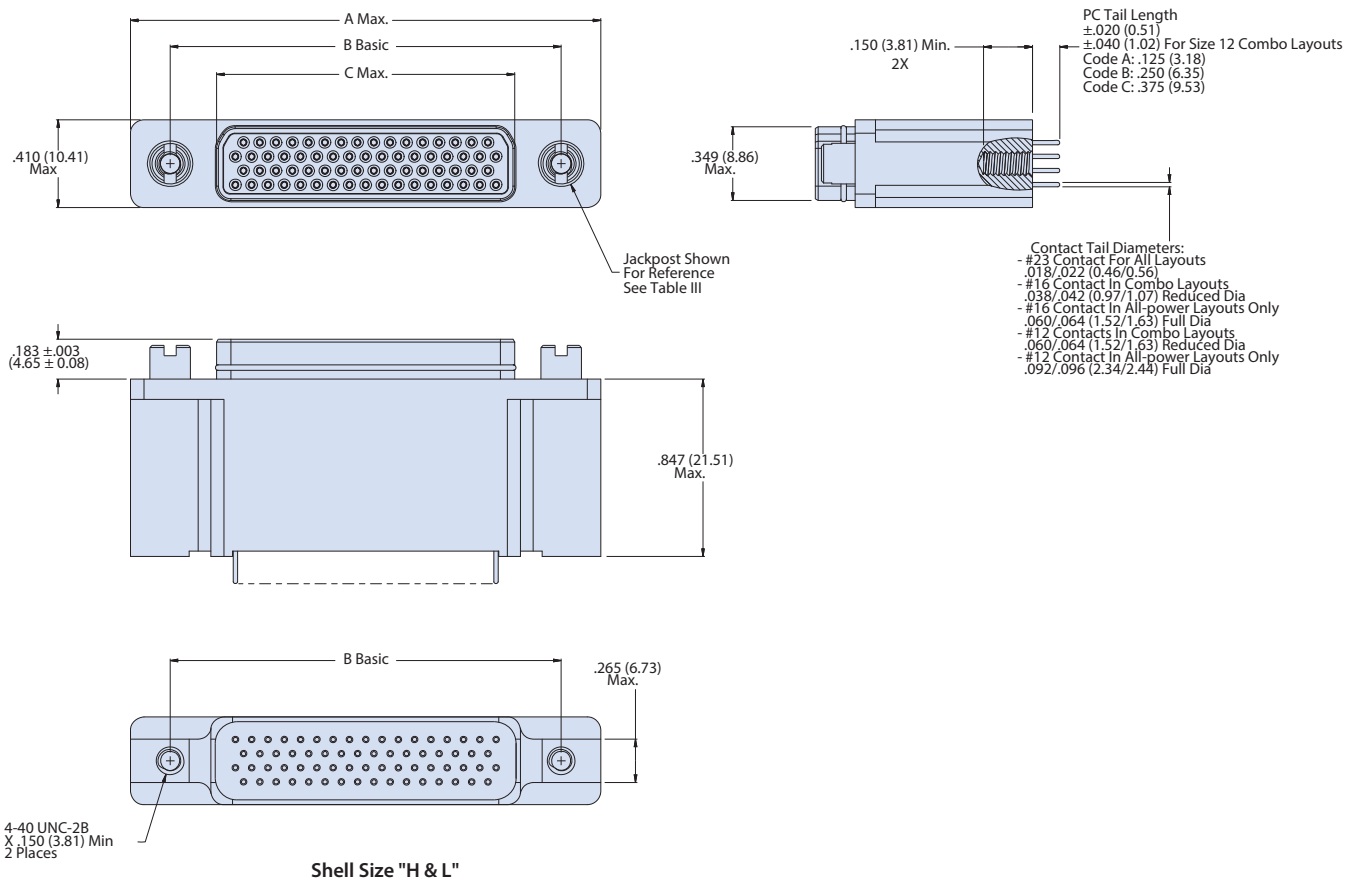
© 2013 Glenair, Inc.

U.S. CAGE Code 06324

Printed in U.S.A.



240-790-044S SHELL SIZE H AND L DIMENSIONS



Shell Size "H & L"

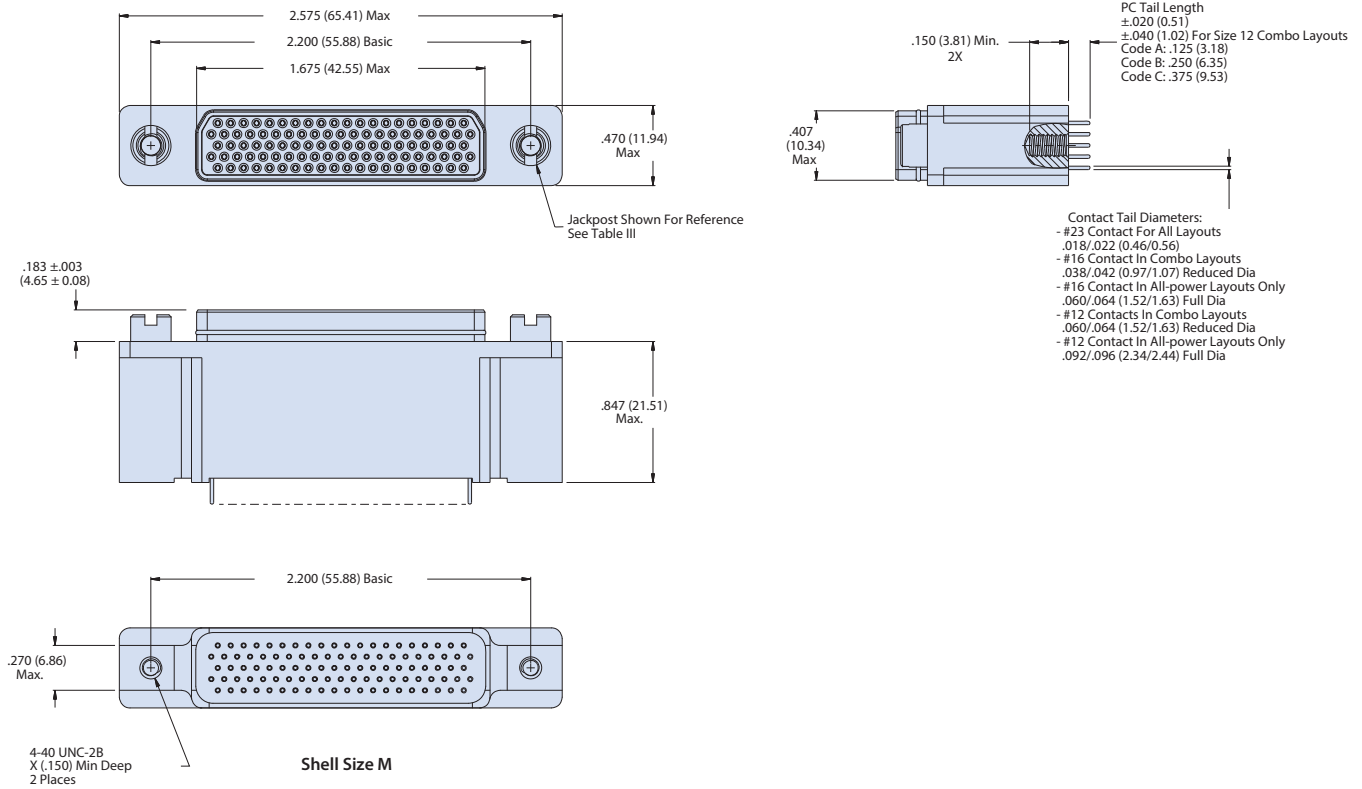
790-44S Size H & L Dimensions						
Shell Size	A Max		B Basic		C Max	
	In.	mm.	In.	mm.	In.	mm.
H	2.175	55.25	1.800	45.72	1.385	35.18
L	2.420	61.47	2.036	51.71	1.623	41.22

Dimensions in inches (millimeters) and are subject to change without notice.

240-790-044
 Series 79 Filtered Plug
 Vertical PCB Mount with Straight PC Tails



240-790-044S SHELL SIZE M DIMENSIONS



Dimensions in inches (millimeters) and are subject to change without notice.