

107-099
ArmorLite Dual-Layer Equipment Grounding Strap
Medium Duty, Low Profile



MEDIUM DUTY LOW PROFILE EQUIPMENT GROUNDING STRAP

How To Order				
Sample Part Number	107-099	-A	-12	-6
Grounding Strap	Dual layer medium duty ArmorLite			
Material	A = ArmorLite microfilament stainless steel braid			
Width Code	(See Table II)			
Length	Dimension in one inch increment			

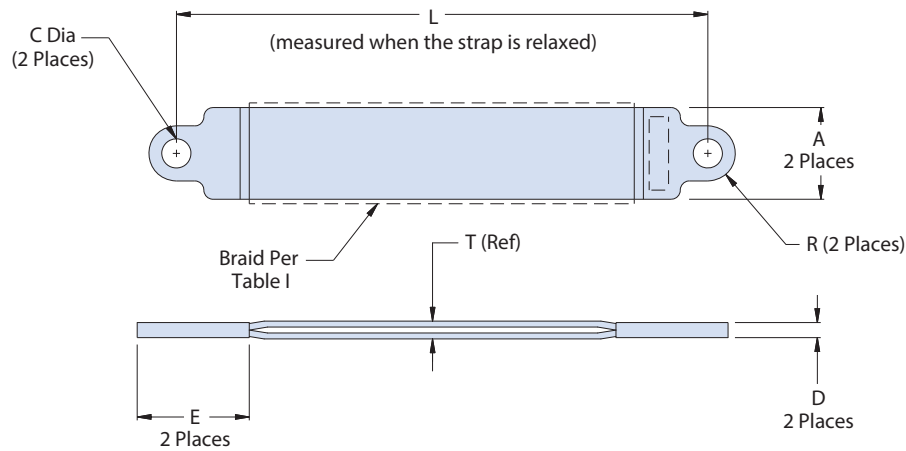


Table II: Mechanical/Electrical Parameters for ArmorLite Material

Width Code	A ± .03	C	R	D	E	T	Nom. Resistance mOhm/m* (AWG Equiv.)	Lug Junction Resistance mOhm	Weight gr/m*	Inductance nH/m (Ref. Only)	Test Current **	Tensile Strength
48	1.080 (27.43)	.390 (9.91)	.375 (9.53)	.080 (2.03)	1.15 (29.21)	.042 (1.06)	4 (11)	0.054	107.6	976	500	590
64	1.330 (33.78)	.390 (9.91)	.375 (9.53)	.080 (2.03)	1.15 (29.21)	.042 (1.06)	3 (10)	0.047	143.4	930	650	723

* Braid only, figures exclude termination lugs. **Test current is defined as the current required to reach 200° C at ambient temperature

Notes

1. Max operating temperature 200° C
2. Assembly identified with Glenair's name and part number, space permitting.
3. Parts shall withstand flexure of 250,000 cycles per EN4199-001 flex test.

Material/Finish

Lugs - copper/nickel plate per SAE AMS-26074, mat'l IAW ASTM B152, ASTM F68, ASTM B75 or MIL-T-24107
 Solder - tin/copper alloy

Dimensions in inches (millimeters) and are subject to change without notice.