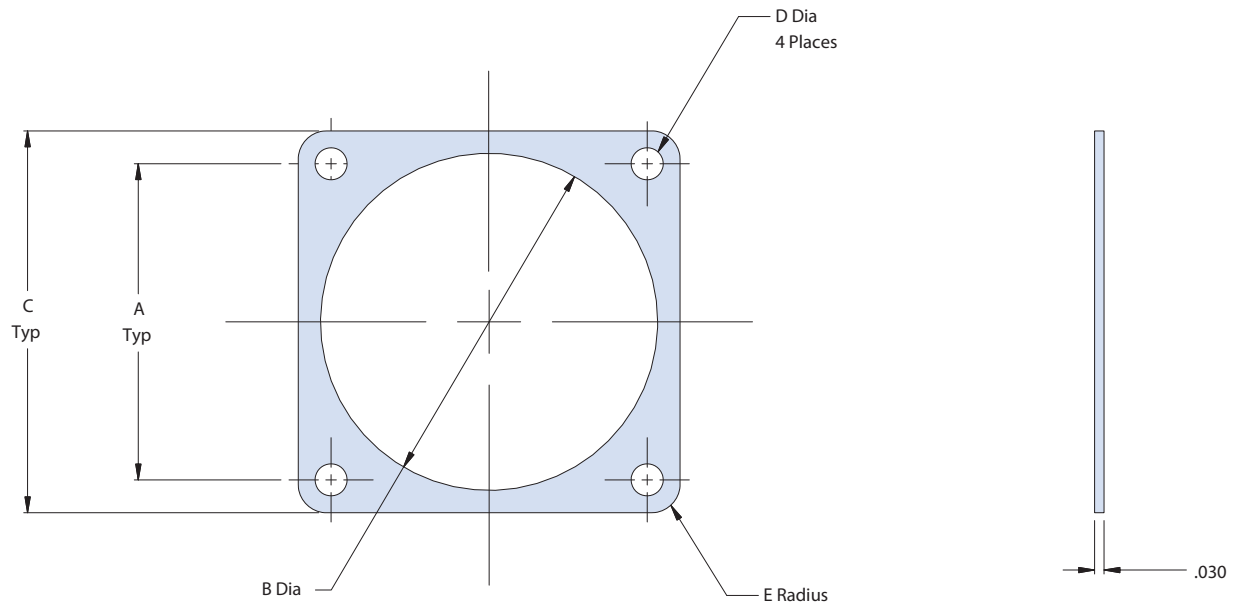


249-002
Conductive O-Ring
for D38999 Wall Mount Receptacles

CONDUCTIVE O-RING FOR D38999 WALL MOUNT RECEPTACLES

How To Order			
Sample Part Number	249-002	-09	-H
Conductive O-Ring	for D38999 Wall Mount Receptacles		
Dash No.	See Table I		
Material	See Table II		



Notes

1. Parts of the same dash number to be packaged in bulk and identified by bag and tag.

Dimensions in inches (millimeters) and are subject to change without notice.

249-002
Conductive O-Ring
for D38999 Wall Mount Receptacles



Table I: Dash No.					
Dash Number	A ± .005 (.13)	Ø B ± .007 (.18)	C ± .008 (.20)	Ø D ± .005 (.13)	E Radius ± .015 (.38)
-09	0.719 (18.3)	0.687 (17.4)	0.937 (23.8)	0.125 (3.2)	0.105 (2.7)
-11	0.812 (20.6)	0.772 (19.6)	1.031 (26.2)	0.125 (3.2)	0.105 (2.7)
-13	0.906 (23.0)	0.937 (23.8)	1.125 (28.6)	0.125 (3.2)	0.105 (2.7)
-15	0.969 (24.6)	1.063 (27.0)	1.250 (31.8)	0.125 (3.2)	0.135 (3.4)
-17	1.062 (27.0)	1.187 (30.1)	1.343 (34.1)	0.125 (3.2)	0.135 (3.4)
-19	1.156 (29.4)	1.312 (33.3)	1.467 (37.3)	0.125 (3.2)	0.135 (3.4)
-21	1.250 (31.8)	1.437 (36.5)	1.652 (42.0)	0.125 (3.2)	0.135 (3.4)
-23	1.375 (34.9)	1.562 (39.7)	1.703 (43.3)	0.152 (3.9)	0.135 (3.4)
-25	1.500 (38.1)	1.600 (40.6)	1.812 (46.0)	0.152 (3.9)	0.135 (3.4)

Table II: Material	
Designator	Material
C	Passivated Silver Plated Aluminum Filled Fluorosilicone per MIL-DTL-83528, Type "D" (CHO-SEAL 1298 or equivalent)
H	Silver Plated Copper Filled Silicone per MIL-DTL-83528, Type "A" (CHO-SEAL 1215 or equivalent)
E	Nickel Plated Graphite Filled EPDM (CHO-SEAL 6307 or equivalent)
F	Silver Plated Nickel Filled EPDM (CHO-SEAL 6435 or equivalent)

Dimensions in inches (millimeters) and are subject to change without notice.

