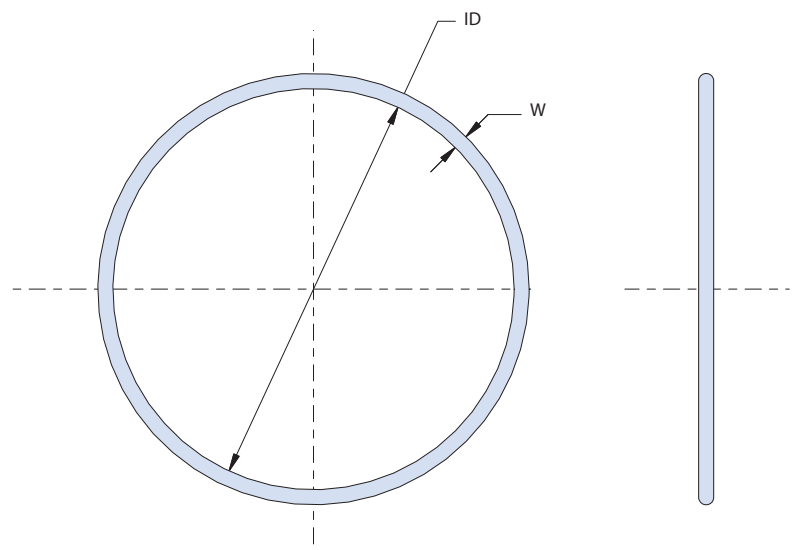


**249-003**  
**Conductive O-Ring**  
**for Mighty Mouse Jam Nut Receptacles**

**CONDUCTIVE O-RING FOR MIGHTY MOUSE JAM NUT RECEPTACLES**

How To Order				
Sample Part Number	249-003	-801	-06	-B
Conductive O-Ring	for Mighty Mouse Jam Nut Receptacles			
Mighty Mouse Connector Series	-800, -801, -804, -805			
Shell Size	See Table I			
Material	See Table II			



**Notes**

1. Parts to be packaged in bulk and identified by bag and tag.

Dimensions in inches (millimeters) and are subject to change without notice.

**249-003**  
**Conductive O-Ring**  
**for Mighty Mouse Jam Nut Receptacles**



Table I: Shell Size				
Shell Size	800 Series O-Ring ID x W	801 Series O-Ring ID x W	804 Series O-Ring ID x W	805 Series O-Ring ID x W
-5	.364 X .045	.394 X .047	.505 X .070	
-6	.426 X .050	.459 X .049	.525 X .071	
-7	.489 X .055	.578 X .040	.638 X .073	
-8	.588 X .051	.578 X .040	.688 X .070	.578 X .040
-9	.614 X .070	.650 X .045	.750 X .070	.709 X .045
-10	.709 X .079	.709 X .043	.813 X .063	.709 X .045
-11				.780 X .047
-12	.801 X .070		.943 X .070	.894 X .047
-13		.894 X .047		
-14	.926 X .070		1.061 X .073	
-15	.989 X .070		1.114 X .070	1.024 X .047
-16		1.086 X .040		
-17		1.142 X .043		
-18				1.201 X .047
-19				1.257 X .047
-21		1.417 X .047		
-23				1.530 X .047

Table II: Material	
Designator	Material
B	Silver Plated Aluminum Filled Silicone per MIL-DTL-83528, Type "B" (CHO-SEAL 1285 or equivalent)
C	Passivated Silver Plated Aluminum Filled Fluorosilicone per MIL-DTL-83528, Type "D" (CHO-SEAL 1298 or equivalent)
H	Silver Plated Copper Filled Silicone per MIL-DTL-83528, Type "A" (CHO-SEAL 1215 or equivalent)

Dimensions in inches (millimeters) and are subject to change without notice.

