

286-077P HiPer-D pin connector to AlphaLink® SL flex jumper



HIPER-D FLEX JUMPERS

High-reliability HiPer-D MIL-DTL-24308 intermateable/ intermountable rectangular connectors in 6 contact arrangements, terminated with rugged polyimide-based flex to high-performance AlphaLink® SL board level connectors.

FLEX PERFORMANCE

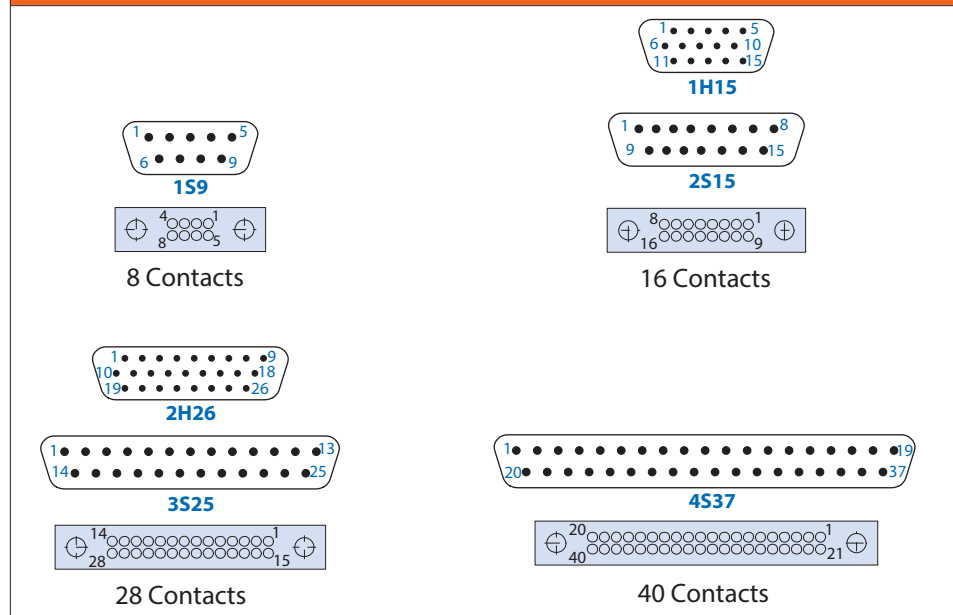
- EMI shielding film will be used when shielding option is chosen
- Bend radius is 6 to 10 X flex thickness.
- Typical flex will be $.01 \pm .005$ thick, rugged, potted, polyimide-based flex.
- Workmanship shall be IAW IPC-6013, Class 2.

NOTES

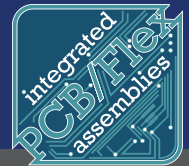
- I/O Series 28 HiPer-D right-angle pin-contact connector, rear panel mount with O-ring environmental seal (280-024)
- Contacts mapped 1-to-1 from I/O to B/L connector (unused B/L contacts not connected). For alternative wire schedules, please consult factory.
- Unused Cavities in connectors to be populated with contacts.
- B/L AlphaLink® SL interface dimensions IAW Glenair drawing 171-134-02. Interface shown for reference.

HOW TO ORDER	
Sample Part Number	286-077P -3525 ME G N -2 T -6 S
Basic Part Number	HiPer-D pin connector to Series 171 AlphaLink® SL
I/O Insert Arrangement	1S9, 1H15, 2S15, 2H26, 3S25, 4S37
I/O Shell Material/Finish	ME = Aluminum / Electroless Nickel Z1 = Stainless Steel / Passivated ZM = Stainless Steel / Electroless Nickel JF = Aluminum / Yellow Chromate over Cadmium
I/O Grounding Option	G = EMI Grounding N = None
I/O Hardware Option	N = None (Tapped Hole) P = Female Jackpost G = Guide Pin B = Guide Bushing
AlphaLink® Finish	2 = Nickel 5 = Gold
AlphaLink® Hardware Option	T = Threaded thru hole Omit for thru hole
Assembly Length (L)	3 = 3.00 ± .05 inches 6 = 6.00 ± .05 inches 12 = 12.00 ± .05 inches
Optional Shielding	S = With shielding Omit for none

HIPER-D TO ALPHALINK CONTACT ARRANGEMENTS

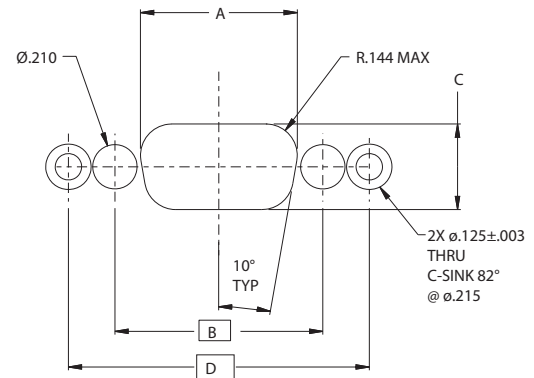
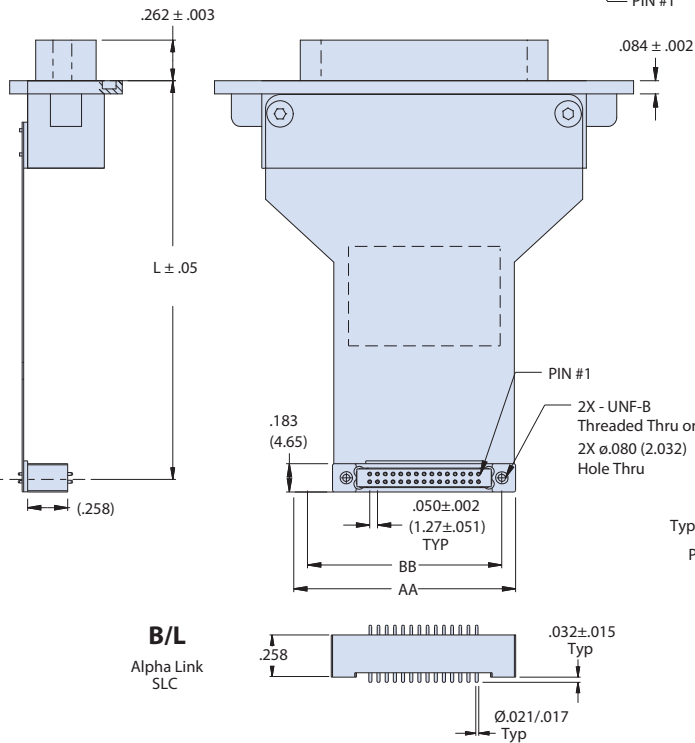
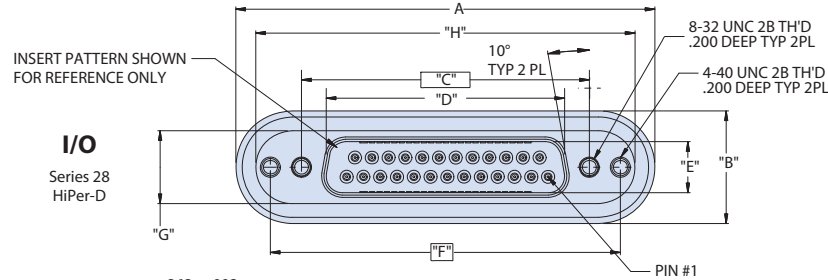


TURNKEY Flex Jumper Assemblies

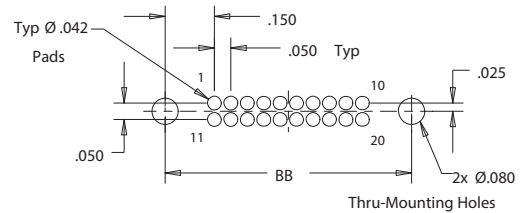


286-077P HiPer-D pin connector to AlphaLink® SL flex jumper

CONNECTOR DIMENSIONS



**Recommended Panel Cutout
as viewed from front face of panel**



Recommended PCB Layout

B/L
Alpha Link
SLC

HIPER-D I/O CONNECTOR

ALPHALINK SL BOARD CONNECTOR

Shell Size	Insert Pattern	A ± .015	B ± .015	C Basic	D ± .005	E ± .005	F Basic	G ± .015	H ± .015	Size	AA	BB
1	S9	1.865	0.725	0.984	0.666	0.329	1.424	0.469	1.609	8	.627 (15.9)	.450 (11.4)
	H15	(47.4)	(18.4)	(25.0)	(16.9)	(8.4)	(36.2)	(11.9)	(40.9)			
2	S15	2.200	0.725	1.312	0.994	0.329	1.752	0.469	1.944	16	.827 (21.0)	.650 (16.5)
	H26	(55.9)	(18.4)	(33.3)	(25.2)	(8.4)	(44.5)	(11.9)	(49.4)			
3	S25	2.736	0.725	1.852	1.534	0.329	2.292	0.469	2.480	28	1.127 (28.6)	.950 (24.1)
4	S37	3.385	0.725	2.500	2.182	0.329	2.940	0.469	3.129	40	1.427 (36.2)	1.250 (31.8)