

796-112 Rear panel mount environmental Series 79 Micro-Crimp pin contact receptacle to AlphaLink® SL flex jumper

SERIES 79 MICRO-CRIMP FLEX JUMPERS

Glenair Series 79 Micro-Crimp advanced-performance rectangular connectors in 7 contact arrangements, terminated with rugged polyimide-based flex to AlphaLink® board level connectors.

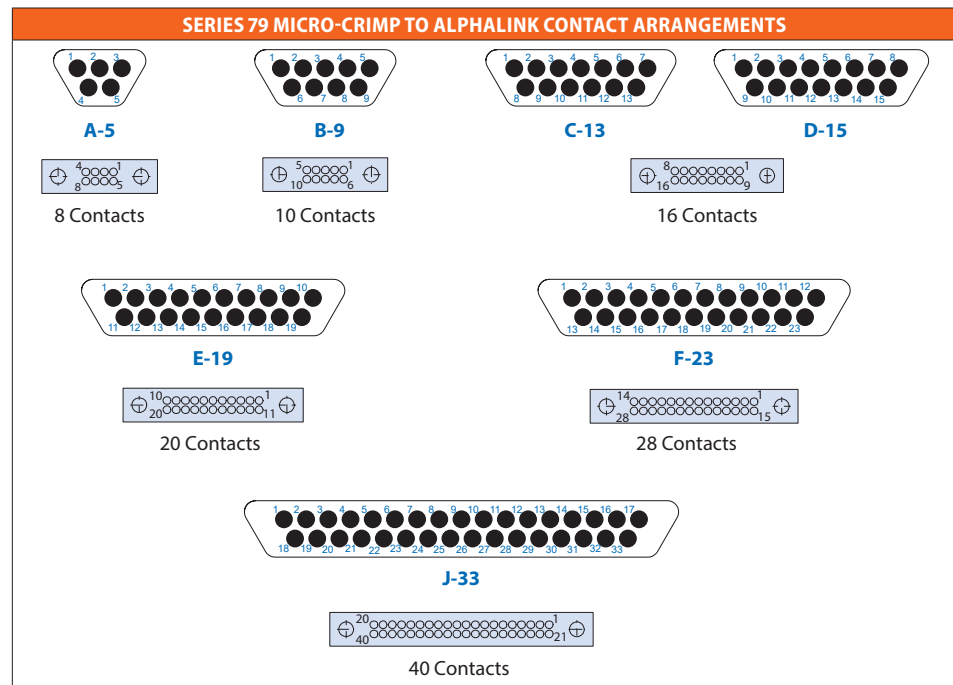
FLEX PERFORMANCE

- EMI shielding film will be used when shielding option is chosen
- Bend radius is 6 to 10 X flex thickness.
- Typical flex will be .01 ± .005 thick, rugged, potted, polyimide-based flex.
- Workmanship shall be IAW IPC-6013, Class 2.

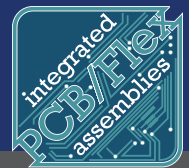
NOTES

- I/O Series 79 Micro-Crimp receptacle connector, rear panel-mount with O-ring environmental seal
- Contacts mapped 1-to-1 from I/O to B/L connector (unused B/L contacts not connected). For alternative wire schedules, please consult factory.
- Unused Cavities in connectors to be populated with contacts.
- B/L AlphaLink® SL interface dimensions IAW Glenair drawing 171-134-02. Interface shown for reference.

HOW TO ORDER	
Sample Part Number	796-112- 9-10 M G -2 T -6 S
Basic Part Number	Rear Panel-Mount Micro-Crimp I/O receptacle to Series 171 AlphaLink® SL
I/O Insert Arrangement	A-5, B-9, C013, D-15, E-19, F-23, J-33
I/O Shell Material/Finish	M = Aluminum / Electroless Nickel MT = Aluminum / Nickel PTFE E = Aluminum / Chem Film Z2 = Aluminum / Gold UC = Aluminum / Zinc Cobalt with Black Chromate J = Aluminum / Yellow Chromate over Cadmium NF = Aluminum / Cad Olive Drab over Electroless Nickel
I/O Hardware Option	P - Jackposts G - Male Guide Pins S - Female Guide Sockets N - No Mating Hardware
AlphaLink® Finish	2 = Nickel 5 = Gold
AlphaLink® Hardware Option	T = Threaded thru hole Omit for thru hole
Assembly Length (L)	3 = 3.00 ± .05 inches 6 = 6.00 ± .05 inches 12 = 12.00 ± .05 inches
Optional Shielding	S = With shielding Omit for none

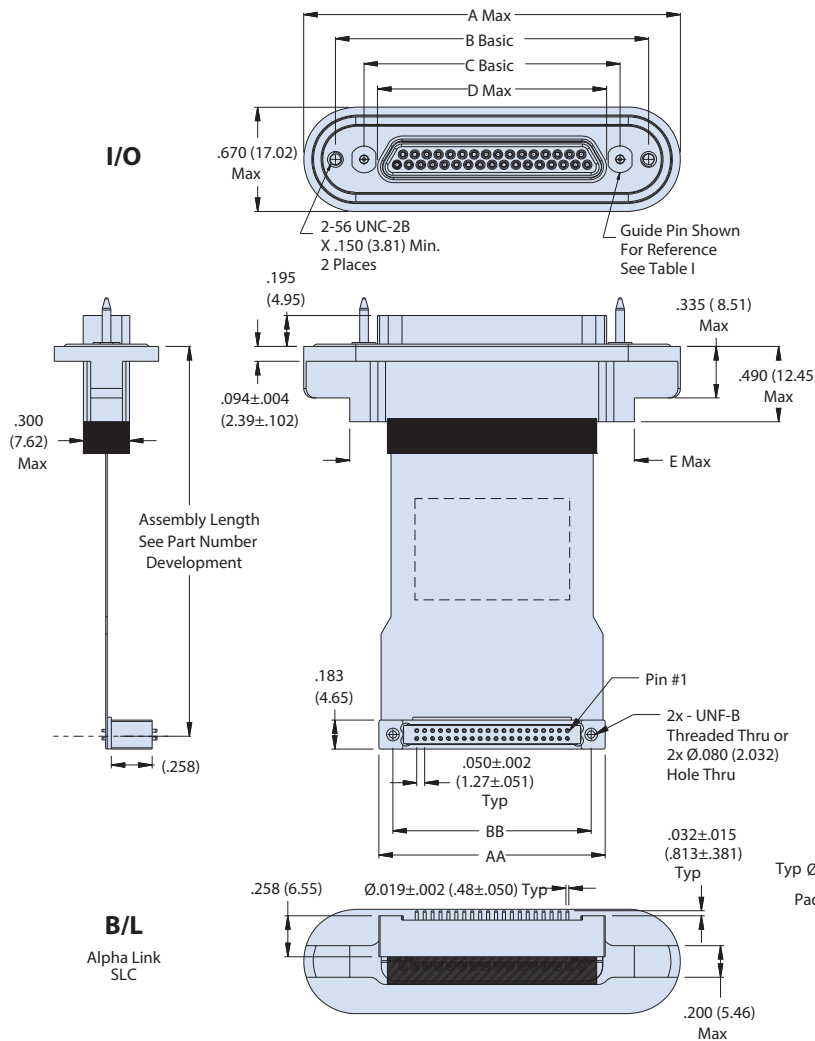


TURNKEY Flex Jumper Assemblies

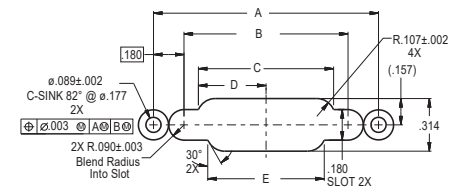


796-112 Rear panel mount environmental Series 79 Micro-Crimp pin contact receptacle to AlphaLink® SL flex jumper

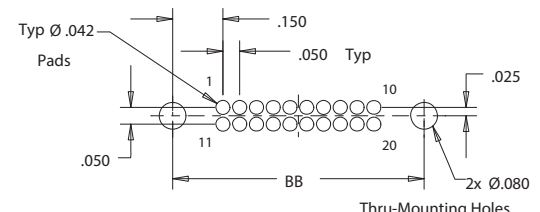
CONNECTOR DIMENSIONS



Panel Cutout



Shell Size	A		B ±.002		C		D		E	
	In.	mm	In.	mm	In.	mm	In.	mm	In.	mm
A	.925	23.50	.565	14.35	.396	10.06	.198	5.03	.286	7.26
B	1.075	27.31	.715	18.16	.546	13.87	.273	6.93	.436	11.07
C	1.225	31.12	.865	21.97	.696	17.68	.348	8.84	.586	14.88
D	1.325	33.66	.965	24.51	.796	20.22	.398	10.11	.686	17.42
E	1.475	37.47	1.115	28.32	.946	24.03	.473	12.01	.836	21.23
F	1.625	41.28	1.265	32.13	1.096	27.84	.548	13.92	.986	25.04
J	1.975	50.17	1.615	41.02	1.448	36.78	.724	18.39	1.345	34.16



Recommended PCB Layout

HIPER-D I/O CONNECTOR

ALPHALINK SL BOARD CONNECTOR

Shell Size	A Max		B Basic		C Basic		D Max		E Max		Size	AA	BB
	In.	mm	In.	mm	In.	mm	In.	mm	In.	mm			
A	1.341	34.06	.925	23.50	.565	14.35	.401	10.19	.760	19.30	8	.627 (15.9)	.450 (11.4)
B	1.491	37.87	1.075	27.31	.715	18.16	.551	14.00	.910	21.11	10	.677 (17.2)	.500 (12.7)
C	1.641	41.68	1.225	31.12	.865	21.97	.701	17.81	1.060	26.92	16	.827 (21.0)	.650 (16.5)
D	1.741	44.22	1.325	33.66	.965	24.51	.801	20.35	1.160	29.46			
E	1.891	48.03	1.475	37.47	1.115	28.32	.951	24.16	1.310	33.27	20	.927 (23.5)	.750 (19.1)
F	2.041	51.84	1.625	41.28	1.265	32.13	1.101	27.96	1.460	37.08	28	1.127 (28.6)	.950 (24.1)
J	2.391	60.73	1.975	50.17	1.615	41.02	1.460	37.08	1.810	45.97	40	1.427 (36.2)	1.250 (31.8)