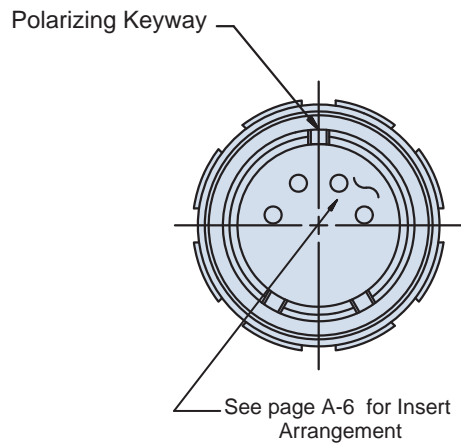


### SERIES 22 CABLE PLUG IN STANDARD OR SCOOP-PROOF SHELL WITH PIN OR SOCKET CONTACTS

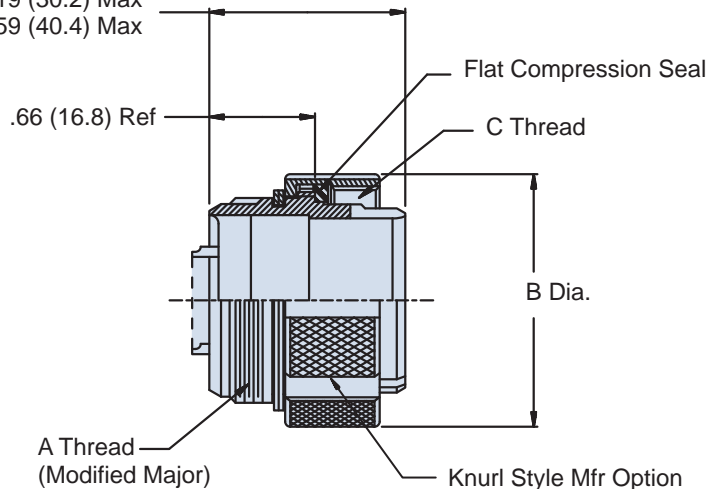


How To Order					
Sample Part Number	220-06	E	24-61	S	N
Series and Shell Style	220-06 - Standard 220-16 - Scoop-Proof				
Class	E = High-Pressure Environmental				
Shell Size - Insert Arrangement	See page A-6				
Contact Style	P = Pin S = Socket				
Polarization	N, 1, 2, 3, 4 See page A-6				

B



220-06: 1.19 (30.2) Max  
220-16: 1.59 (40.4) Max



Metric dimensions (mm) are indicated in parentheses

# 220-06 and 220-16 High-Pressure Environmental Cable Plug



**Table II: Dimensions**

Shell Size	A Thread Class 2A	Ø B Max	C Thread Class 2B
10	5/8 - 24 UNEF	1.000 (25.4)	.750 - .1P - .1L
12	3/4 - 20 UNEF	1.125 (28.6)	.875 - .1P - .1L
14	7/8 - 20 UNEF	1.250 (31.8)	1.000 - .1P - .1L
16	1 - 20 UNEF	1.375 (34.9)	1.125 - .1P - .1L
18	1 1/8 - 16 UN	1.594 (40.5)	1.250 - .1P - .1L
20	1 1/4 - 16 UN	1.719 (43.7)	1.375 - .1P - .1L
22	1 3/8 - 16 UN	1.894 (48.1)	1.500 - .1P - .1L
24	1 1/2 - 16 UN	1.969 (50.0)	1.625 - .1P - .1L

**Table IV: Replacement Flat Compression Seal**

Shell Size	Glenair Part No.
10	G70653-10
12	G70653-12
14	G70653-14
16	G70653-16
18	G70653-18
20	G70653-20
22	G70653-22
24	G70653-24

**Table V: Recommended Coupling Nut Assembly Torque Values**

Shell Size	Inch - Pounds		Newton - Meters	
	Min	Max	Min	Max
10	20	40	2.26	4.52
12	20	40	2.26	4.52
14	30	50	3.39	5.65
16	30	50	3.39	5.65
18	40	60	4.52	6.78
20	50	70	5.65	7.91
22	60	80	6.78	9.04
24	80	100	9.04	11.30

B