

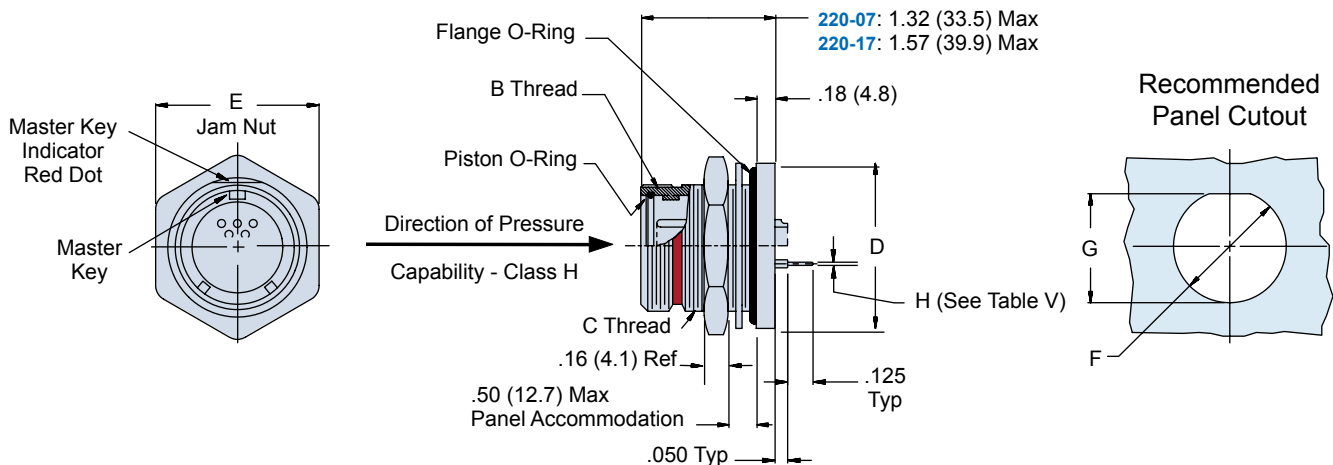
SERIES 22 JAM NUT RECEPTACLE WITH PIN, SOCKET, PIN PCB OR SOCKET PCB CONTACTS



How To Order					
Sample Part Number	220-07	H	24-61	P	N
Series and Shell Style	220-07 - Standard 220-17 - Scoop-Proof				
Class	H = Hermetic E = Environmental				
Shell Size- Insert Arrangement	See page A-6				
Contact Style	P = Pin S = Socket C = Pin PCB D = Socket PCB				
Polarization	N, 1, 2, 3, 4 See page A-6				

Prior to use, lubricate O-rings with high grade silicone lubricant (Moly-kote M55 or equivalent).

B



220-07 and 220-17 High-Pressure Environmental/Hermetic Jam Nut Receptacle, Rear Box Mount



Table II: Dimensions

Shell Size	B Thread Class 2A	C Thread Class 2A	D Dia	E Flats	F Dia ±.005± (0.1)	G ±.005± (0.1)
10	.750 - .1P - .1L	7/8 - 20 UNEF	1.25 (31.8)	1.125 (28.6)	.885 (22.5)	.835 (21.2)
12	.875 - .1P - .1L	1 - 20 UNEF	1.38 (35.1)	1.250 (31.8)	1.010 (25.7)	.960 (24.4)
14	1.000 - .1P - .1L	1 1/8 - 16 UN	1.50 (38.1)	1.500 (38.1)	1.135 (28.8)	1.085 (27.6)
16	1.125 - .1P - .1L	1 1/4 - 16 UN	1.63 (41.4)	1.625 (41.3)	1.260 (32.0)	1.210 (30.7)
18	1.250 - .1P - .1L	1 3/8 - 16 UN	1.75 (44.5)	1.750 (44.5)	1.385 (35.2)	1.335 (33.9)
20	1.375 - .1P - .1L	1 1/2 - 16 UN	1.88 (47.8)	1.875 (47.6)	1.510 (38.4)	1.460 (37.1)
22	1.500 - .1P - .1L	1 5/8 - 16 UN	2.00 (50.8)	2.000 (50.8)	1.635 (41.5)	1.585 (40.3)
24	1.625 - .1P - .1L	1 3/4 - 16 UN	2.12 (53.8)	2.125 (54.0)	1.760 (44.7)	1.710 (43.4)

Metric dimensions (mm) are indicated in parentheses.

Table IV: Replacement O-Ring Part Numbers *

Shell Size	Piston O-Ring	Flange O-Ring
10	2-014	2-020
12	2-016	2-023
14	2-018	2-025
16	2-020	2-027
18	2-022	2-029
20	2-024	2-030
22	2-026	2-031
24	2-028	2-032

* Parker O-ring part numbers.
Compound N674-70 or equivalent.

Table V: Recommended Jam Nut Installation Torque Values

Shell Size	Torque ± 5%	
	Inch-Pounds	Newton-Meters
10	95	10.73
12	110	12.43
14	140	15.82
16	170	19.21
18	195	22.03
20	215	24.29
22	235	26.55
24	260	29.38

Table VI: Contact Diameter

Contact Size	H Dia
12	.095/.093 (2.413/2.362)
16	.0635/.0615 (1.613/1.549)
20	.024/.028 (0.711/0.610)
22D	.021/.018 (0.533/0.457)

