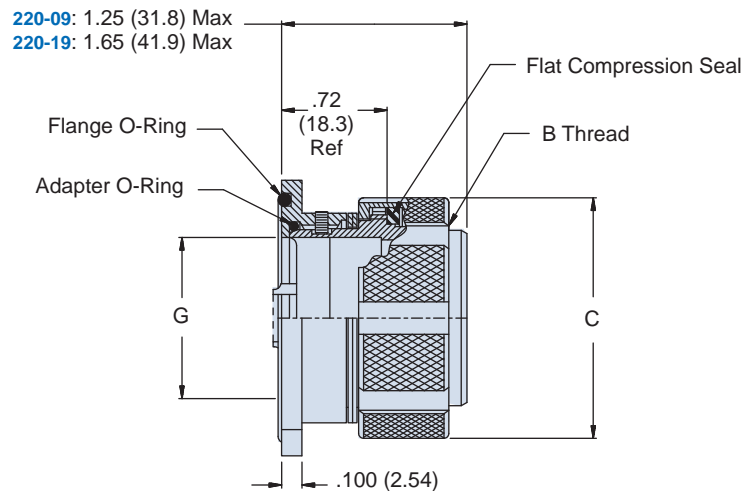
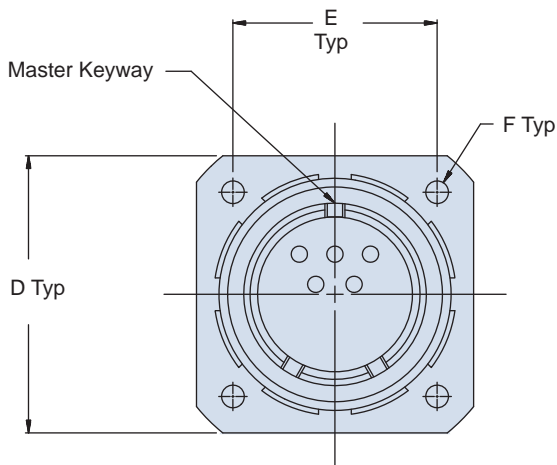


### SERIES 22 BOX-MOUNT PLUG WITH PIN OR SOCKET CONTACTS



How To Order					
Sample Part Number	220-09	E	24-61	P	N
Series and Shell Style	220-09 - Standard 220-19 - Scoop-Proof				
Class	E = High-Pressure Environmental				
Shell Size - Insert Arrangement	See page A-6				
Contact Style	P = Pins S = Sockets				
Polarization	N, 1, 2, 3, 4 See page A-6				

B



# 220-09 and 220-19 High-Pressure Environmental Box-Mount Plug



**Table II : Dimensions**

Shell Size	B Thread Class 2B	C Dia Max	D Dim	E Dim	F Dia	Mtg Screw Ref.	G Panel Cutout
10	.750 - .1P - .1L	1.000 (25.4)	1.09 (27.7)	.844 (21.4)	.125 (3.2)	No. 4	.625 (15.9)
12	.875 - .1P - .1L	1.125 (28.6)	1.19 (30.2)	.938 (23.8)	.125 (3.2)	No. 4	.750 (19.1)
14	1.000 - .1P - .1L	1.250 (31.8)	1.25 (31.8)	1.000 (25.4)	.125 (3.2)	No. 4	.875 (22.2)
16	1.125 - .1P - .1L	1.375 (34.9)	1.34 (34.0)	1.094 (27.8)	.125 (3.2)	No. 4	1.000 (25.4)
18	1.250 - .1P - .1L	1.594 (40.5)	1.44 (36.6)	1.188 (30.2)	.125 (3.2)	No. 4	1.125 (28.6)
20	1.375 - .1P - .1L	1.719 (43.7)	1.55 (39.4)	1.281 (32.5)	.125 (3.2)	No. 4	1.250 (31.8)
22	1.500 - .1P - .1L	1.844 (46.8)	1.72 (43.7)	1.375 (34.9)	.125 (3.2)	No. 4	1.375 (34.9)
24	1.625 - .1P - .1L	1.969 (50.0)	1.85 (47.0)	1.500 (38.1)	.156 (4.0)	No. 6	1.500 (38.1)

**Table III: Recommended Coupling Nut Assembly Torque Values**

Shell Size	Inch - Pounds		Newton - Meters	
	Min	Max	Min	Max
10	20	40	2.26	4.52
12	20	40	2.26	4.52
14	30	50	3.39	5.65
16	30	50	3.39	5.65
18	40	60	4.52	6.78
20	50	70	5.65	7.91
22	60	80	6.78	9.04
24	80	100	9.04	11.30

**Seal Replacement Part Numbers**

Shell Size	Adapter O-Ring	Flange O-Ring	Compression Flat Seal
10	2-014	2-019	G70653-10
12	2-016	2-021	G70653-12
14	2-018	2-022	G70653-14
16	2-020	2-024	G70653-16
18	2-022	2-025	G70653-18
20	2-024	2-027	G70653-20
22	2-026	2-029	G70653-22
24	2-028	2-030	G70653-24