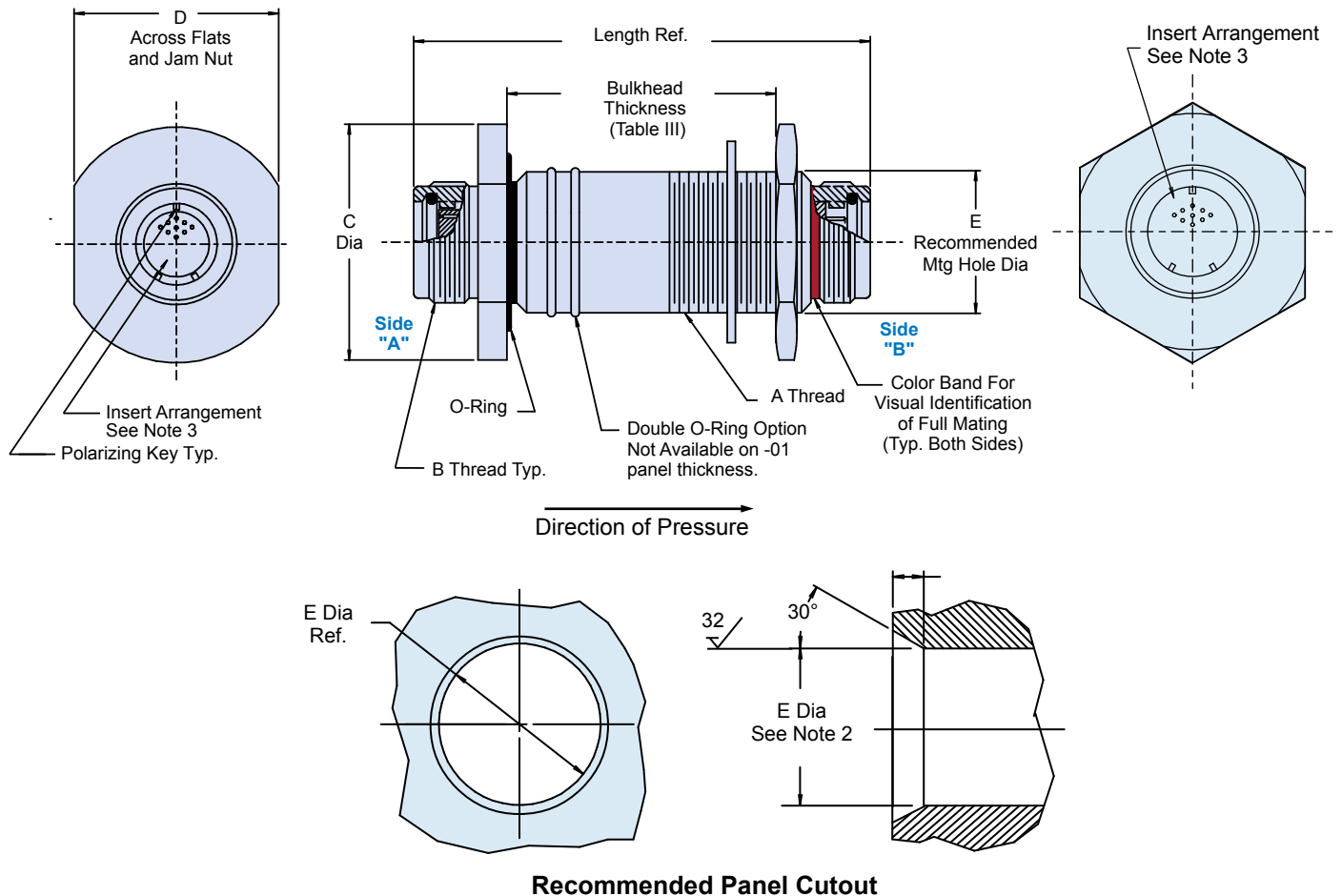


## JAM NUT BULKHEAD FEED-THROUGH FOR PANEL THICKNESSES UP TO 8 INCHES



| How To Order                    |  |
|---------------------------------|--|
| Sample Part Number              | 227-040 -24-61 S N P N 03 D  |
| Series and Shell Style          | 227-039 - Standard shell (mates with 220-06 plug)<br>227-040 - Scoop-Proof shell (mates with 220-16) |
| Shell Size - Insert Arrangement | See page A-6   |
| Side A Contact Style            | P = Pins S = Sockets H = Hermetic Pin  |
| Side A Polarization             | N, 1, 2, 3, 4 See page A-6   |
| Side B Contact Style            | P = Pin S = Socket   |
| Side B Polarization             | N, 1, 2, 3, 4 See page A-6   |
| Bulkhead Thickness Dash No.     | See Table III  |
| Double O-Ring Option            | D (Omit for None)  |

B



# 227-039 and 227-040 High-Pressure Environmental/Hermetic Jam Nut Mount Bulkhead Feed-Through



Table II: Dimensions

| Shell Size | A Thread Class 2A | B Thread Class 2A | C Dia       | D Flat       | E Dia *      |
|------------|-------------------|-------------------|-------------|--------------|--------------|
| 10         | 7/8-20 UNEF       | .750-.1P-.1L      | 1.41 (35.8) | 1.250 (31.8) | .875 (22.2)  |
| 12         | 1-20 UNEF         | .875-.1P-.1L      | 1.53 (38.9) | 1.375 (34.9) | 1.000 (25.4) |
| 14         | 1 1/8-18 UNEF     | 1.000-.1P-.1L     | 1.66 (42.2) | 1.500 (38.1) | 1.125 (28.6) |
| 16         | 1 1/4-16 UN       | 1.125-.1P-.1L     | 1.78 (45.2) | 1.625 (41.3) | 1.250 (31.8) |
| 18         | 1 3/8-16 UN       | 1.250-.1P-.1L     | 1.91 (48.5) | 1.750 (44.5) | 1.375 (34.9) |
| 20         | 1 1/2-16 UN       | 1.375-.1P-.1L     | 2.03 (51.6) | 1.875 (47.6) | 1.500 (38.1) |
| 22         | 1 5/8-16 UN       | 1.500-.1P-.1L     | 2.16 (54.9) | 2.000 (50.8) | 1.625 (41.3) |
| 24         | 1 3/4-16 UN       | 1.625-.1P-.1L     | 2.28 (57.9) | 2.125 (54.0) | 1.750 (44.5) |

\* Standard Shell +.010 (.254) -.000 (.0)      \* Double "O" Ring Option +.002 (.05) -.000 (.0)

Table III: Panel Thickness

| Dash No. | Panel Min    | Panel Max    | Length (Ref.)         |                          |
|----------|--------------|--------------|-----------------------|--------------------------|
|          |              |              | Standard Shell Length | Scoop-Proof Shell Length |
| 01       | .03 (.8)     | 1.00 (25.4)  | 2.30 (58.4)           | 3.00 (76.2)              |
| 02       | 1.00 (25.4)  | 2.00 (50.8)  | 3.30 (83.8)           | 4.00 (101.6)             |
| 03       | 2.00 (50.8)  | 3.00 (76.2)  | 4.30 (109.2)          | 5.00 (127.0)             |
| 04       | 3.00 (76.2)  | 4.00 (101.6) | 5.30 (134.6)          | 6.00 (152.4)             |
| 05       | 4.00 (101.6) | 5.00 (127.0) | 6.30 (160.0)          | 7.00 (177.8)             |
| 06       | 5.00 (127.0) | 6.00 (152.4) | 7.30 (185.4)          | 8.00 (203.2)             |
| 07       | 6.00 (152.4) | 7.00 (177.8) | 8.30 (210.8)          | 9.00 (228.6)             |
| 08       | 7.00 (177.8) | 8.00 (203.2) | 9.30 (236.2)          | 10.00 (254.0)            |

### Notes

1. Power to a given contact on one end will result in power to contact directly opposite, regardless of identification letter.
2. For standard o-ring option,  $\sqrt[3]{}$  does not apply and E dia s/b +.010  
-.000
3. For pin/pin and skt/skt, symmetrical layouts only, consult factory for available insert arrangements.