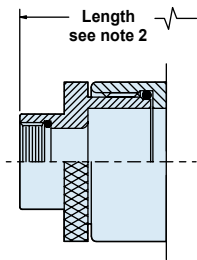




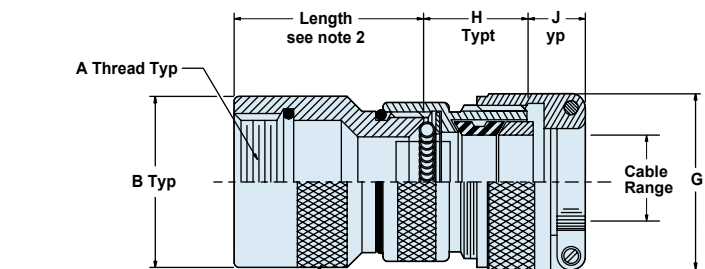
297W-003
EMI/RFI Strain Relief Backshell
Cable Sealing for Geo-Marine® Connectors

ENVIRONMENTAL 45°, 90° AND STRAIGHT STRAIN RELIEF BACKSHELLS

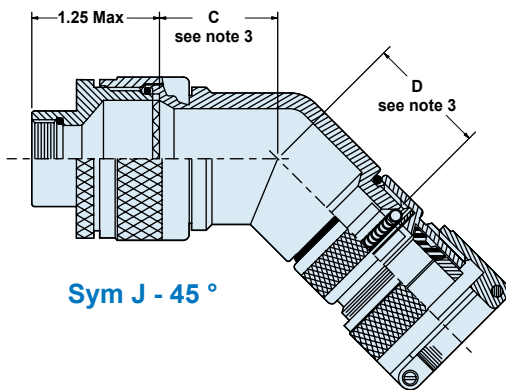
How To Order							
Sample Part Number	297W	S	003	16	10	D	6
Product Series and Connector Designator	297W						
Angular Function	H = 45° J = 90° S = Straight						
Basic Number	003						
Shell Size	See Table I						
Cable Entry Dash No.	See Table II						
Gland Nut	D = Gland Nut Omit for Clamp, Substitute Dash						
Length	1/2 Inch Increments; E.G. 6 = 3 Inches See Note 2 Length "F Dim" for 90A in 1/2 Inch Increments Length "D Dim" for 45A in 1/2 Inch Increments Omit for Standard Length D & F on 45A and 90A Assembly						



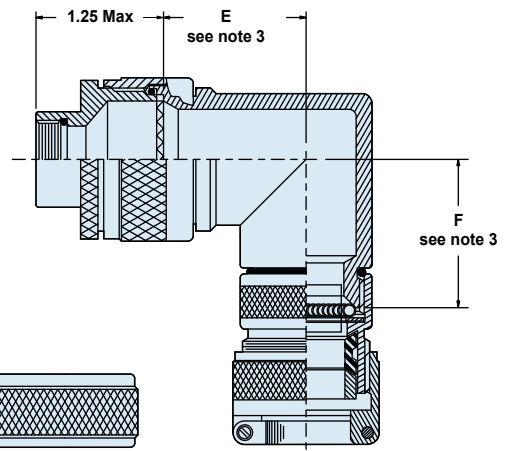
Syle II
see note 3



Sym S - Straight



Sym J - 45°



Sym D - Gland Nut

Sym J - 90°

297W-003
EMI/RFI Strain Relief Backshell
Cable Sealing for Geo-Marine® Connectors



Table I: Dimensions

Shell Size	A Thread Class 2B	B Max		C Max		D (Standard) Max		E Max		F (Standard) Max	
10	5/8-24 UNEF	.781	(19.8)	.688	(17.5)	.86	(21.8)	.87	(22.1)	1.04	(26.4)
12	3/4-20 UNEF	.906	(23.0)	.705	(17.9)	.89	(22.6)	.97	(24.6)	1.11	(28.2)
14	7/8-20 UNEF	1.031	(26.2)	.732	(18.6)	.91	(23.1)	.98	(24.9)	1.17	(29.7)
16	1-20 UNEF	1.156	(29.4)	.748	(19.0)	.92	(23.4)	1.02	(25.9)	1.19	(30.2)
18	1 1/8-16 UN	1.281	(32.5)	.773	(19.6)	.94	(23.9)	1.08	(27.4)	1.25	(31.8)
20	1 1/4-16 UN	1.406	(35.7)	.800	(20.3)	.98	(24.9)	1.14	(29.0)	1.33	(33.8)
22	1 3/8-16 UN	1.531	(38.9)	.823	(20.9)	1.01	(25.7)	1.20	(30.5)	1.40	(35.6)
24	1 1/2-16 UN	1.656	(42.1)	1.041	(26.4)	1.18	(30.0)	1.48	(37.6)	1.64	(41.7)

Table II: Cable Entry Dash Number Dimensions

Dash No	Cable Entry				G Max		H Ref		J Ref	
	Min		Max							
03	.156	(4.0)	.250	(6.4)	.844	(21.4)	1.03	(26.2)	.760	(19.3)
04	.188	(4.8)	.312	(7.9)	.906	(23.0)	1.03	(26.2)	.760	(19.3)
06	.281	(7.1)	.4381	(11.1)	1.903	(48.3)	1.03	(26.2)	.760	(19.3)
08	.344	(8.7)	.5621	(14.3)	1.187	(30.1)	1.03	(26.2)	.760	(19.3)
10	.375	(9.5)	.6251	(15.9)	1.281	(32.5)	1.19	(30.2)	.760	(19.3)
12	.438	(11.1)	.750	(19.1)	1.500	(38.1)	1.19	(30.2)	.760	(19.3)
16	.562	(14.3)	.938	(23.8)	1.719	(43.7)	1.19	(30.2)	1.073	(27.3)
20	.750	(19.1)	1.250	(31.8)	2.062	(52.4)	1.19	(30.2)	1.323	(33.6)
24	.781	(19.8)	1.375	(34.9)	2.312	(58.7)	1.19	(30.2)	1.323	(33.6)
28	.969	(24.6)	1.625	(41.3)	2.719	(69.1)	1.19	(30.2)	1.572	(39.9)
32	1.125	(28.6)	1.875	(47.6)	2.969	(75.4)	1.19	(30.2)	1.572	(39.9)
40	1.469	(37.3)	2.375	(60.3)	3.531	(89.7)	1.19	(30.2)	1.572	(39.9)

Notes

1. Assembly identified with manufacturer's name and P/N, space permitting.
2. Standard minimum length for Style I is 1.50 Inch, for Style II is 2.00 Inches. For shorter length, consult factory. Note: applies to Sym S, straight, only.
3. When maximum cable range exceeds inside diameter of connector shell:
 Sym S: Style II will be supplied.
 Sym H and Sym J: dimension C, D, E & F does not apply.
4. Glenair 600 series backshell assembly tools are recommended for assembly and installation.
5. Material/Finish:
 - Elbow, adapter, clamp, hardware, spring follower, coupling and gland nuts - CRES/pasivate
 - Washer - Fluoropolymer/n.a.
 - Grommet, o-rings - silicone/n.a.